



PURITY PUMP CO., LTD. reserves the right to make changes without notice. all the specifications may be subject to change
50HZ

+86-18157639088
+86-13073899866

sm@cnpurity.com
info2@cnpurity.com

Dongqiao Village, Daxi Town, Wenling City, Zhejiang, China



www.cnpurity.com

2024. 03



CENTRIFUGAL PUMP



www.cnpurity.com

Purity was founded in 2010, at the beginning of the establishment of high ambitions, energy-saving industrial pumps as the strategic positioning of the enterprise, quality and service as the core competitiveness, deep in the field of energy conservation, committed to research and development of energy-efficient pumps and systems.

We focus on the research and development of pump energy-saving technology, set up three R & D centers and four manufacturing bases in the world, and cooperate with professional teams in Europe and cutting-edge scientific research institutions in the field of energy conservation in Shanghai and Shenzhen. The products serve more than 120 countries and regions with global synchronous quality. In the municipal, agricultural, chemical, metallurgical, textile, cooling and other fields of in-depth integration of energy saving layout, aimed at all walks of life to reduce emissions and generate income, continue to implement environmental awareness, help the efficient use of resources, promote the sustainable development of enterprises.

In the field of industrial pump exploration, Purity constantly improve beyond itself, honored to participate in the drafting of national standards for centrifugal pumps, intelligent frequency cycle electric vertical pipeline pumps, has won the "national high-tech enterprise", "national science and technology enterprise", "national specialized special new little giant enterprise" and other honors.

60 Thousand m²
Construction Area 60000 m²

125⁺
Patent Certification

200⁺
Product Category

Centrifugal pump series

01 PST

11 PS

23 PW

35 PZ

41 PSC

47 PXZ

The Quality Of Purity Is In Sync With The World
Based On The Needs Of Users
Delivering High-efficiency And Energy-saving Industrial Pump Products
To The Global Market
Providing High-quality System Sales Service
And Creating A Reliable Brand Strength



n ≈ 2900 rpm

PST

Close coupled centrifugal pump
 Bomba centrífuga acoplado cerrado
 Pompe centrifuge à couple fermé



PST



PST(B)



PST(C)


 PST/B/C
 30-160kW

NEW/NUEVO/NOUVEAU

DESCRIPTION/DESCRIPCIONES/DESCRIPTION

- ◆ New EN733 standard centrifugal pump
 - ◆ Original design by PURITY (Patent no.201530478502.0)
 - ◆ Both square motor & round motor available
 - ◆ YE3 high efficient motor, with protection IP55 class F
 - ◆ Pump case with anti-corrosive coating
 - ◆ Galvanized counter flange with bolts, nuts and gaskets
 - ◆ Quality NSK bearing, wear resistance mechanical seal
- ◆ Nuevas bombas centrífugas según norma EN733
 - ◆ Diseño original de PURITY (Patente no.201530478502.0)
 - ◆ Motor redondo y cuadrado disponible
 - ◆ Motor de eficiencia YE3 con Protección IP55 clase F
 - ◆ Cuerpo de bomba con tratamiento anti-corrosión
 - ◆ Contrabridas galvanizadas con pernos, tuercas y empaques
 - ◆ Rodamiento de marca NSK y cierre mecánico personalizado
- ◆ Nouvelle pompe centrifuge standard EN733
 - ◆ Design original par PURITY (Brevet no.201530478502.0)
 - ◆ Moteur carré et moteur rond disponibles
 - ◆ Moteur haute efficacité YE3, avec protection IP55 classe F
 - ◆ Boîtier de pompe avec revêtement anti-corrosif
 - ◆ Contre-bride galvanisée avec boulons, écrous et joints
 - ◆ Roulement NSK qualité, joint mécanique de résistance à l'usure

APPLICATIONS/APLICACIONES/APPLICATIONS

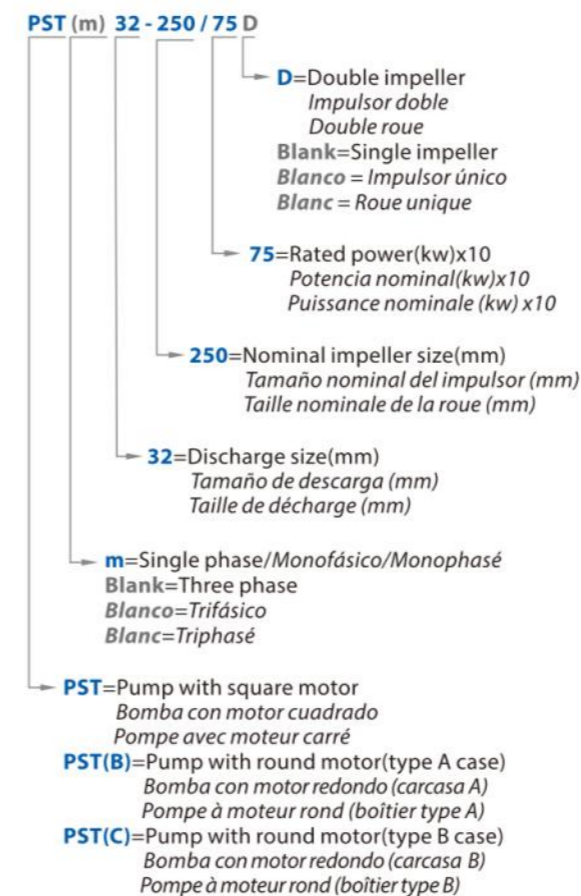
- ◆ Suitable for use with clean water and liquids that are not chemically aggressive towards the materials from which the pump is made. The EN733 centrifugal pumps are recommended for use in water supply, cleaning sets, pressure boosting, firefighting sets, irrigation, industrial applications, water circulation in climatisation sets, agricultural.
- ◆ Son recomendadas para bombear agua limpia, sin partículas abrasivas y líquidos químicamente no agresivos con los materiales que constituyen la bomba. Las Bombas centrífugas según EN733 diseñadas para abastecimiento hídrico, instalaciones de lavado, presurización, contra incendio, irrigación, industria, circulación del agua, agricultura.
- ◆ Convient pour une utilisation avec de l'eau propre et des liquides qui ne sont pas chimiquement agressif envers les matériaux dont la pompe est faite. Les pompes centrifuges EN733 sont recommandées pour une utilisation dans l'alimentation en eau, kits de nettoyage, boosters de pression, kits anti-incendie, irrigation, industriels applications, circulation de l'eau dans les groupes de climatisation, agricole.

USING LIMITS/LÍMITES UTILIZACIÓN/UTILISATION LIMITES

- ◆ Liquid temperature between -10°C and +120°C
- ◆ Ambient temperature between -10°C and +50°C
- ◆ Max. working pressure 16 bar
- ◆ Continuous service S1
- ◆ Temperatura del líquido de -10 °C hasta +120 °C
- ◆ Temperatura ambiente de -10 °C hasta +50 °C
- ◆ Presión máxima en el cuerpo de la bomba 16 bar
- ◆ Funcionamiento continuo S1
- ◆ Température du liquide entre -10 °C et +120 °C
- ◆ Température ambiante entre -10 °C et +50 °C
- ◆ Max. pression de service 16 bar
- ◆ Service continu S1

MODEL CODE/CÓDIGO MODELO/CODE MODÈLE

For example/ Por ejemplo/ Par exemple



TECHNICAL SHEET/HOJA TÉCNICA/FICHE TECHNIQUE

Model/Modelo/Modèle	PST
Capacity/Caudal/Débit	0-400 m ³ /h
Head/Altura/Hauteur	0-151 m
DN	32-125 mm
Speed/Velocidad/Vitesse	2900 rpm
T max	120 °C
Power/Potencia/Puiss.	0.75-160 kW
Voltage/Voltaje/Tension	220/380/400/440 V
HZ	50
Class/Clase/Classe	Class F
IP	IP 55
Duty/Servicio/Devoir	S1 continuous
Casing/Cuerpo/Corps	Grey Cast iron Hierro fundido gris Fonte grise
Impeller/Impulsor/Roue	Cast iron/AISI 304/Brass Hierro fundido/Inox304/Bronce Fonte/Inox304/Laiton
Shaft/Eje/Arbre	45# steel/AISI304 45 # acero/Inox304 45 # acier/Inox304
Shaft seal/Sello/Scellé	Mechanical Seal Sello mecánico Garniture mécanique
Bearing/Rodamiento/Palier	Grease lubrication rolling bearing Rodamientos lubricación con grasa Roulement lubrification à la graisse



n ≈ 1450 rpm

PST4



Close coupled centrifugal pump
 Bomba centrífuga acoplado cerrado
 Pompe centrifuge à couple fermé

50Hz n=1450 r/min

MODEL CODE/CÓDIGO MODELO/CODE MODÈLE

For example/Por ejemplo/Par exemple

PST4 100 - 250 / 75
 75=Rated power(kw)x10
 Potencia nominal(kw)x10
 Puissance nominale (kw) x10
 250=Nominal impeller size(mm)
 Tamaño nominal del impulsor (mm)
 Taille nominale de la roue (mm)
 100=Discharge/Descarga/Décharge(mm)
 PST4=Pump with 4 poles motor
 Bomba con motor de 4 polos
 Pompe avec moteur 4 pôles

TECHNICAL SHEET/HOJA TÉCNICA/FICHE TECHNIQUE

Model/Modelo/Modèle	PST4	
Capacity/Caudal/Débit	0-600	m ³ /h
Head/Altura/Hauteur	0-72	m
DN	65-150	mm
Speed/Velocidad/Vitesse	1450	rpm
Power/Potencia/Puiss.	3-132	kW

TECHNICAL DATA/DATOS TÉCNICOS/DONNÉES TECHNIQUES

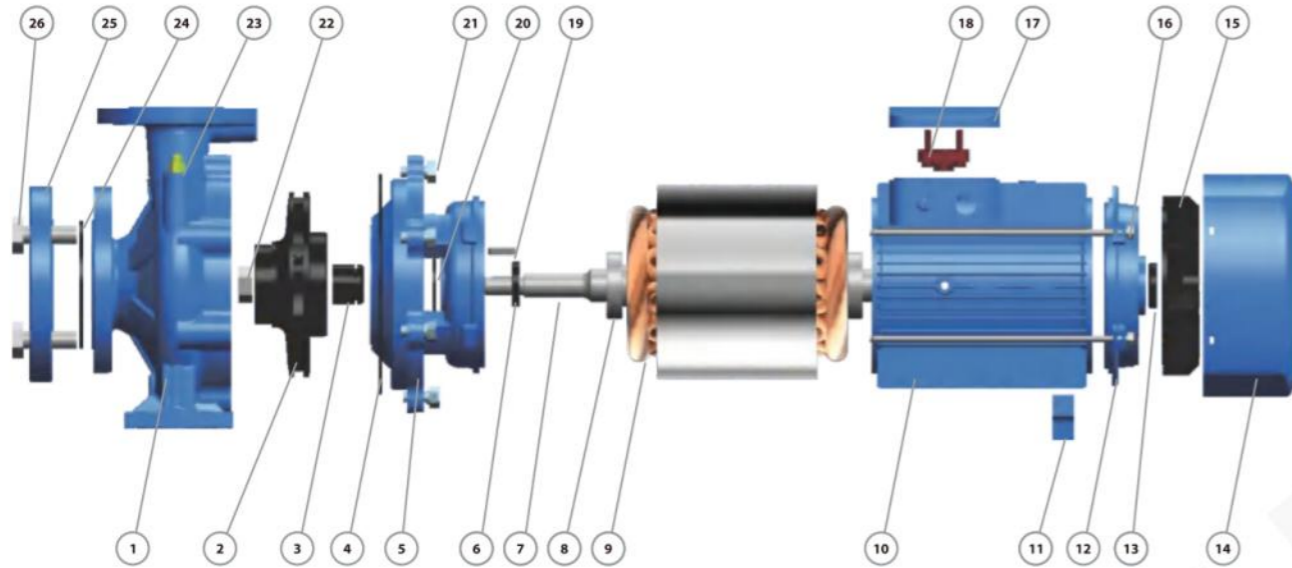
50 Hz n=1450 r/min

MODEL MODELO MODÈLE	DN mm	Power Potencia Puissance		Q=DELIVERY/CAUDAL/DÉBIT															
		kw	hp	us	132	159	185	198	220	264	317	370	396	423	476	617			
				gpm	500	600	700	750	833	1000	1200	1400	1500	1600	1800	2333			
				l/min	30	36	42	45	50	60	72	84	90	96	108	140			
				m ³ /h															
					H=Head/Altura/Hauteur(m)														
PST4 65-250/30	80x65	3	4	15.4	14.6	13.9	13.1	12.6	11.6	9.7	6.7	-	-	-	-	-			
PST4 65-250/40	80x65	4	5.5	19	18.3	17.8	17.2	16.9	16.1	14.4	11.7	-	-	-	-	-			
PST4 65-250/55	80x65	5.5	7.5	22.3	21.3	20.9	20.3	19.9	19.2	17.7	15.1	12	-	-	-	-			
PST4 65-315/40	80x65	4	5.5	18.6	17.9	17.3	16.7	16.2	15.2	13.3	-	-	-	-	-	-			
PST4 65-315/55	80x65	5.5	7.5	22.1	-	21.2	20.6	20.2	19.2	17.3	14	-	-	-	-	-			
PST4 65-315/75	80x65	7.5	10	26.5	-	25.6	25.2	24.9	24.3	23	20.8	17.6	-	-	-	-			
PST4 65-315/110	80x65	11	15	34.8	-	34.2	33.9	33.7	33.2	32.1	30.2	27.4	25.6	23.7	18.7	-			
PST4 65-315/150	80x65	15	20	40	-	39.4	39.1	38.9	38.4	37.3	35.4	32.6	30.8	28.9	23.9	-			
PST4 80-200/30	100x80	3	4	11.8	-	-	-	11	10.7	10.1	9.2	8	7.3	6.6	-	-			
PST4 80-200/40	100x80	4	5.5	14.2	-	-	-	13.8	13.6	13.3	12.4	11.3	10.7	10	9	-			
PST4 80-250/55	100x80	5.5	7.5	20.5	-	-	-	19.5	19.1	18.4	17.2	15.5	14.5	13.5	11.1	-			
PST4 80-250/75	100x80	7.5	10	24	-	-	-	23.5	23.2	22.5	21.3	19.9	19	18.1	16	-			
PST4 80-250/110	100x80	11	15	28.2	-	-	-	27.5	27.2	26.5	25.3	23.9	23	22.1	20	15			

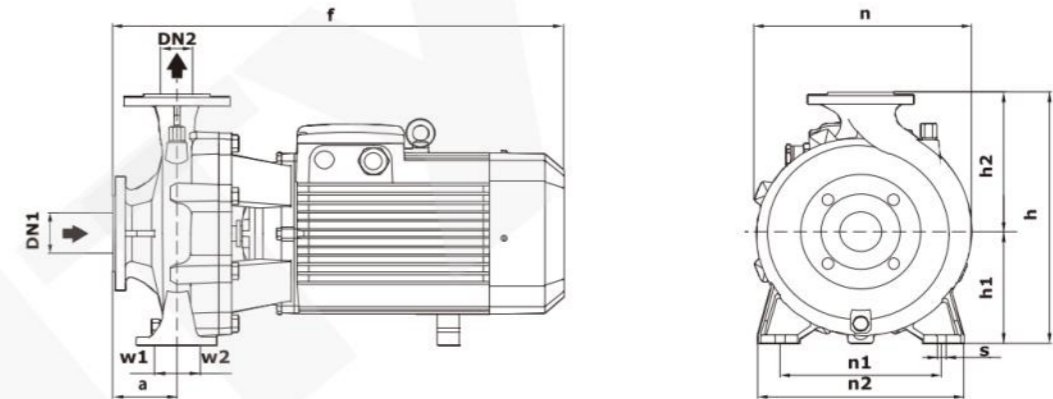
Performance curve in page/Curva en página/Courbe en page 144-147

MODEL MODELO MODÈLE	DN mm	Power Potencia Puissance		Q=DELIVERY/CAUDAL/DÉBIT															
		kw	hp	us	198	220	264	317	370	396	423	476	617	661	881	1101			
				gpm	750	833	1000	1200	1400	1500	1600	1800	2333	2500	3333	4167	5000		
				l/min <td>45</td> <td>50</td> <td>60</td> <td>72</td> <td>84</td> <td>90</td> <td>96</td> <td>108</td> <td>140</td> <td>150</td> <td>200</td> <td>250</td>	45	50	60	72	84	90	96	108	140	150	200	250			
				m ³ /h															
					H=Head/Altura/Hauteur(m)														
PST4 80-315/55	100x80	5.5	7.5	19.7	19.1	18.8	18.1	16.8	15	13.9	12.8	10.1	-	-	-	-			
PST4 80-315/75	100x80	7.5	10	24.6	23.9	23.6	23	21.9	20.4	19.5	18.6	16.3	-	-	-	-			
PST4 80-315/110	100x80	11	15	29.9	29.4	29.2	28.8	28.1	27	26.3	25.5	23.6	16.5	13.5	-	-			
PST4 80-315/150	100x80	15	20	36.8	36.4	36.1	35.6	34.7	33.6	33	32.4	30.9	25.3	23	-	-			
PST4 80-400/185	100x80	18.5	25	40.3	39.7	39.5	39.1	38.4	37.3	36.6	35.9	34.1	27.3	24.5	-	-			
PST4 80-400/220	100x80	22	30	45.1	44.6	44.5	44.2	43.6	42.6	42	41.4	39.8	33.4	30.7	-	-			
PST4 80-400/300	100x80	30	40	55.1	54.7	54.6	54.4	54	53.3	52.8	52.2	50.9	45.4	43.2	-	-			
PST4 100-200/40	125x100	4	5.5	11.8	11.7	11.6	11.4	11	10.5	10.3	9.7	9.1	6.8	5.9	-	-			
PST4 100-200/55	125x100	5.5	7.5	13.3	13.2	13.2	13	12.7	12.4	12.3	12	11.5	9.6	8.8	5.7	-			
PST4 100-200/75	125x100	7.5	10	14.8	14.7	14.7	14.5	14.2	13.9	13.8	13.5	13	11.1	10.3	7.2	-			
PST4 100-250/55	125x100	5.5	7.5	15.9	15.8	15.7	15.5	14.9	14.4	14.1	13.4	12.5	9.2	7.9	-	-			
PST4 100-250/75	125x100	7.5	10	19.5	19.5	19.4	19.2	18.8	18.3	18.1	17.6	16.9	14	12.7	-	-			
PST4 100-250/110	125x100	11	15	24.3	24.3	24.2	24.1	23.7	23.3	23.1	22.7	22.1	19.7	18.6	11.4	-			
PST4 100-250/150	125x100	15	20	27.8	27.8	27.7	27.6	27.2	26.8	26.6	26.2	25.6	23.2	22.1	14.9	-			
PST4 100-315/150	125x100	15	20	28	-	27.8	27.6	27.2	26.9	26.7	26.2	25.6	23.1	22.1	14.9	-			
PST4 100-315/185	125x100	18.5	25	31	-	30.8	30.6	30.2	29.9	29.7	29.2	28.6	26.1	25.1	17.9	-			
PST4 100-315/220	125x100	22	30	35	-	34.4	34.2	33.8	33.5	33.3	32.8	32.2	30	29	24	17.3			
PST4 100-315/300	125x100	30	40	37	-	36.8	36.7	36.4	36.1	35.9	35.5	35.1	33.2	32.4	28	21.3			
PST4 100-400/300	125x100	30	40	46.4	-	-	46	46	46	46	45	44	42	40	29.6	-			
PST4 100-400/370	125x100	37	50	51.8	-	-	51.3	51.2	51.1	51	50.5	49.5	47.5	46	37.3	-			
PST4 100-400/450	125x100	45	60	57.1	-	-	56.7	56.4	56.1	56	56	55	53	52	45	32.1			

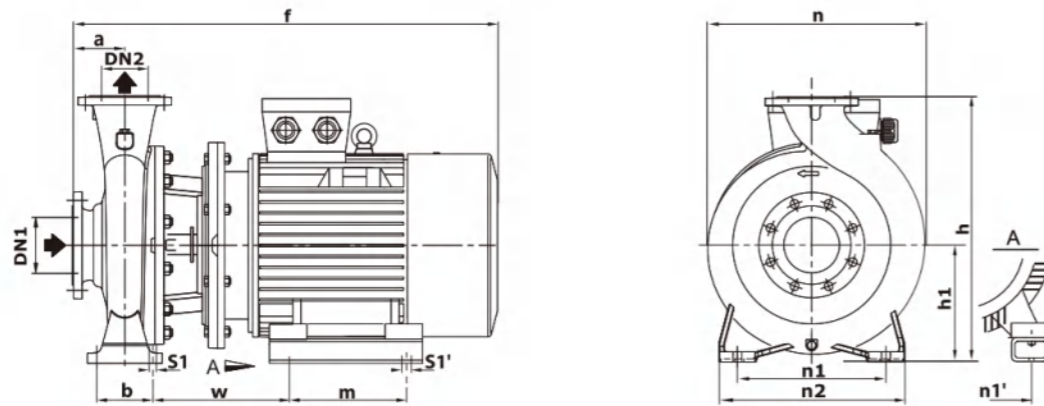
MODEL MODELO MODÈLE	DN mm	Power Potencia Puissance		Q=DELIVERY/CAUDAL/DÉBIT															
		kw	hp	us	132	154	176	220	264	396	441	485	617	661	881	1101			
				gpm	30	35	40	50	60	90	100	110	140	150	200	250	300		
				l/min <td>30</td> <td>35</td> <td>40</td> <td>50</td> <td>60</td> <td>90 <td>100 <td>110 <td>140 <td>150 <td>200 <td>250 </td></td></td></td></td></td></td>	30	35	40	50	60	90 <td>100 <td>110 <td>140 <td>150 <td>200 <td>250 </td></td></td></td></td></td>	100 <td>110 <td>140 <td>150 <td>200 <td>250 </td></td></td></td></td>	110 <td>140 <td>150 <td>200 <td>250 </td></td></td></td>	140 <td>150 <td>200 <td>250 </td></td></td>	150 <td>200 <td>250 </td></td>	200 <td>250 </td>	250			
				m ³ /h															
					H=Head/Altura/Hauteur(m)														
PST4 125-200/55	150x125	5.5	7.5	11.4	11.1	11.1	11	10.9	10.8	10.2	10	9.7	8.9	8.6	6.9	-			
PST4 125-200/75	150x125	7.5	10	14.1	13.9	13.8	13.8	13.7	13.6	13.1	12.9	12.7	11.9	11.6	9.6	-			
PST4 125-200/110	150x125	11	15	18.1	17.9	17.8	17.8	17.7	17.6	17.1	16.9	16.7	15.9	15.6	13.6	9.8			
PST4 125-250/75	150x125	7.5	10	15.4	-	-	-	-	15.3	15	14.8	14.6	13.6	13.1	-	-			
PST4 125-250/110	150x125	11	15	19.4	-	-	-	-	19.3	19.1	19	18.9	18.1	17.8	15.3	11.7			
PST4 125-250/150	150x125	15	20	23.2	-	-	-	-	23.3	23.1	23	22.9	22	22	19.8	16.5			
PST4 125-250/185	150x125	18.5	25	25.6	-	-	-	-	25.5	25.5	25.4	25.3	24.9	24.7	23	20.3			
PST4 125-315/185	150x125	18.5	25	27.3	-	-	-	-	-	-	26.9	26.7	25.9	25.6	23.3	19.7			
PST4 125-315/220	150x125	22	30	30	-	-	-	-	-	-	29.7	29.6	28.9	28.6	26.5	23.2			
PST4 125-315/300	150x125	30	40	35.6	-	-	-	-	-	-	35.4	35.3	34.8	34.6	32.9	30.1			
PST4 125-315/370	150x125	37	50	38.2	-	-	-	-	-	-	38	37.9	37.4	37.2	35.7	33.1			
PST4 150-200/110	200x150	11	15	14	-	-	-	-	-	-	-	13.5	13.4	13.3	13.1	12.9			
PST4 150-200/150	200x150	15	20	16.3	-	-	-	-	-	-	-	15.5	15.3	15.2	14.8	14.3			
PST4 150-200/185	200x150	18.5	25	18.3	-	-	-	-	-	-	-	17.5	17.3	17.2	16.8	16.3			
PST4 150-200/220	200x150	22	30	20.3	-	-	-	-	-	-	-	19.5	19.3	19.2	18.8	18.3			
PST4 150-250/150	200x150	15	20	17.5	-	-	-	-	-	-	-	-	16.8	15.9	14.7	13.2			
PST4 150-250/185	200x150	18.5	25	21.3	-	-	-	-	-	-	-	-	20.8	20	18.9	17.5			
PST4 150-250/220	200x150	22	30	24	-	-	-	-	-	-	-	-	23.6	23	22	20.8			
PST4 150-250/300	200x150	30	40	25.5	-	-	-	-	-	-	-	-	25	24.5	23.5	22			
PST4 150-315/370	200x150	37	50	33.6	-	-	-	-	-	-	-	-	33.5	32.7	31.7	30.4			
PST4 150-315/450	200x150	45	60	37.7	-	-	-	-	-	-	-	-	37.6	36.9	35.9	34.7			
PST4 150-315/550																			

MATERIAL DESCRIPTION/DESCRIPCIÓN DE MATERIAL/DESCRIPTION DU MATÉRIEL


No.	Description Descripción Description	Material Material Matériel	No.	Description Descripción Description	Material Material Matériel	No.	Description Descripción Description	Material Material Matériel
1	Pump Case Cuerpo de Bomba Boîtier de pompe	Cast iron Fundición Fonte	10	Motor Case Cuerpo de Motor Boîtier du moteur	Aluminum Aluminio Aluminium	19	Impeller Key Chaveta Impulsor Clé de roue	Iron Hierro Le fer
2	Impeller Impulsor Roue	SS304/Cast iron Inox304/Fundición Inox304/ Fonte	11	Support Foot Soporte Pie Pied de support	Plastic Plástico Plastique	20	Water Deflector Deflector Déflecteur d'eau	Rubber Caucho Caoutchouc
3	Mechanical Seal Cierre Mecánico Garniture mécanique	SiC/Carbon/SS304 SiC/Grafito/Inox304 SiC/Carbon/Inox304	12	Back Cover Tapa Trasera Quatrième de couverture	Cast iron Fundición Fonte	21	Connection Bolt Perno Boulon de connexion	Steel Acero Acier
4	O-ring Junta Tórica Joint torique	Rubber Caucho Caoutchouc	13	Reinforced Seal Sello Reforzado Joint renforcé	Rubber Caucho Caoutchouc	22	Impeller Nut Tuerca de Impulsor Écrou de roue	Galvanized Steel Acero Galvanizado Acier Galvanisé
5	Connection Conexión Lien	Cast iron Fundición Fonte	14	Fan Cover Tapa Ventilador Couvercle de ventilateur	Aluminum Aluminio Aluminium	23	Release Valve Tapón Cebado Soupape de décharge	Brass Bronce Laiton
6	Reinforced Seal Sello Reforzado Joint renforcé	Rubber Caucho Caoutchouc	15	Fan Ventilador Ventilateur	Plastic Plástico Plastique	24	Gasket Empaque Joint	Rubber Caucho Caoutchouc
7	Shaft Eje Arbre	SS304/45# Steel Inox 304/45# Hierro Inox304/45 #Acier	16	Through Bolt Perno Traversant le boulon	Steel Acero Acier	25	Counter Flange Contra Brida Contre bride	Galvanized Cast iron Fundición Galvanizado Fonte Galvanisée
8	Bearing Rodamiento Palier	Ball Bearing Bola Rodamiento Roulement à billes	17	Terminal Box Caja de Bornas Boîte à bornes	Aluminum Aluminio Aluminium	26	Flange Bolt Perno de Brida Boulon à bride	Steel Acero Acier
9	Wound Stator/Rotor Estator / Rotor Stator / Rotor blessure	Silicon Steel/Copper Acero al Silicio/Cobre Acier au silicium/Cuivre	18	Terminal Board Tablero de Bornas Terminal Board	Plastic Plástico Plastique			

DIMENSIONS AND WEIGHT/DIMENSIONES Y PESOS/DIMENSIONS ET POIDS


MODEL MODELO MODÈLE	DIMENSIONS/DIMENSIONES/DIMENSIONS mm													kg 3~												
	DN1	DN2	a	f	h	h1	h2	n	n1	n2	w1	w2	s													
PST 32-125/7	50	32	80	435	255	114	141	202	140	190	35	35	15	24												
PST 32-125/11				435	295	133	162	245	190	245				25												
PST 32-160/15				470	162	245	190	245	39																	
PST 32-160/22			82	490	342	161	181	265	190	240	49	49	16	66												
PST 32-160/30															52											
PST 32-200/30															53											
PST 32-200/40			88	590	405	186	219	333	250	328	49	49	16	73												
PST 32-250/55															80											
PST 32-250/75															80											
PST 32-250/92															80											
PST 32-250/110															80											
PST 32-250/150															80											
PST 32-250/55D-75D	160	610	362	162	200	330	216	280	14	73/80																
PST 40-125/11	65	40	82	440	260	116	144	220	160	212	37	37	15	27												
PST 40-125/15														29												
PST 40-125/22														34												
PST 40-160/30			102	560	345	162	193	282	214	267	49	49	16	100												
PST 40-160/40															48											
PST 40-200/55-75															66/73											
PST 40-250/92			94	712	415	186	229	327	250	327	49	49	16	116												
PST 40-250/110															146											
PST 40-250/150															155											
PST 40-250/185															41											
PST 50-125/22															102	525	305	135	170	263	190	245	37	37	15	50
PST 50-125/30																										
PST 50-125/40	64/71																									
PST 50-160/55-75	104	722	392	186	206	307	232	310	49	49	16	90														
PST 50-200/92													106													
PST 50-200/110													145													
PST 50-200/150	102	720	416	186	230	330	250	327	49	49	16	148/153/183														
PST 50-250/150-185-220													56													
PST 65-125/40													68/74													
PST 65-125/55-75	80	65	104	580	345	162	193	275	212	280	49	49	90													
PST 65-160/92														106												
PST 65-160/110														134												
PST 65-160/150			111	740	425	186	239	330	232	309	49	49	16	140/145/185												
PST 65-200/150-185-220															56											
PST 80-125/40															68/74											
PST 80-125/55-75	100	80	117	750	357	163	194	330	212	280	16	113														
PST 80-160/110													143/150/183													
PST 80-160/150-185-220													56													
PST 100-160/150-185-220	125	100	130	765	435	186	250	345	262	340	55	55	16	143/150/183												



MODEL MODELO MODÈLE	DIMENSIONS/DIMENSIONES/DIMENSIONS mm															kg 3~
	DN1	DN2	a	f	h	h1	n	n1	n1'	n2	b	w	m	s1	s1'	
PST 65-250/220	80	65	116	870	420	180	369	280	279	360	120	237	241	18	15	214
PST 65-250/300	80	65	116	990	420	180	369	280	318	360	120	278	305	18	18	265
PST 65-250/370	80	65	116	990	420	180	369	280	318	360	120	278	305	18	18	285
PST 65-315/450	80	65	125	1069	505	225	440	280	356	360	120	324	311	18	18	371
PST 65-315/550	80	65	125	1160	505	225	440	280	406	360	120	373	349	18	24	450
PST 65-315/750	80	65	125	1232	505	225	440	280	457	360	120	395	368	18	24	582
PST 65-315/900	80	65	125	1283	505	225	440	280	457	360	120	395	419	18	24	617
PST 80-200/220	100	80	125	880	460	250	360	280	279	345	95	251	241	14	15	211
PST 80-200/300	100	80	125	950	460	250	360	280	318	345	95	242	305	14	18	262
PST 80-250/370	100	80	125	950	535	250	410	315	318	400	120	229	305	18	18	289
PST 80-250/450	100	80	125	980	535	250	410	315	356	400	120	235	311	18	18	362
PST 80-250/550	100	80	125	1160	535	250	410	315	406	400	120	373	349	18	24	441
PST 80-315/450	100	80	125	1069	565	250	452	315	356	400	120	324	311	18	18	381
PST 80-315/550	100	80	125	1160	565	250	452	315	406	400	120	373	349	18	24	460
PST 80-315/750	100	80	125	1232	565	250	452	315	457	400	120	395	368	18	24	592
PST 80-315/900	100	80	125	1283	565	250	452	315	457	400	120	395	419	18	24	627
PST 100-200/220	125	100	125	910	530	225	422	280	279	360	120	268	241	18	15	216
PST 100-200/300	125	100	125	1025	530	225	422	280	318	360	120	304	305	18	18	267
PST 100-200/370	125	100	125	1025	530	225	422	280	318	360	120	304	305	18	18	287
PST 100-250/450	125	100	140	1000	580	250	450	315	356	400	120	240	311	18	18	366
PST 100-250/550	125	100	140	1180	580	250	450	315	406	400	120	378	349	18	24	445
PST 100-250/750	125	100	140	1250	580	250	450	315	457	400	120	398	368	18	24	577
PST 100-250/900	125	100	140	1300	580	250	422	315	457	400	120	397	419	18	24	612
PST 100-315/750	125	100	140	1262	625	250	480	315	457	400	120	410	368	19	24	591
PST 100-315/900	125	100	140	1313	625	250	480	315	457	400	120	410	419	19	24	626
PST 100-315/1100	125	100	140	1474	625	250	480	315	508	400	120	436	406	19	28	972
PST 100-315/1320	125	100	140	1584	625	250	480	315	508	400	120	436	457	19	28	1087
PST 100-315/1600	125	100	140	1584	625	250	480	315	508	400	120	436	508	19	28	1125
PST 125-200/450	150	125	140	1099	565	250	422	315	356	400	120	339	311	19	18	378
PST 125-200/550	150	125	140	1190	565	250	422	315	406	400	120	388	349	19	24	457
PST 125-200/750	150	125	140	1262	565	250	422	315	457	400	120	410	368	19	24	589
PST 125-250/550	150	125	140	1190	605	250	500	315	406	400	120	388	349	19	24	457
PST 125-250/750	150	125	140	1262	605	250	500	315	457	400	120	410	368	19	24	589
PST 125-250/900	150	125	140	1313	605	250	500	315	457	400	120	410	419	19	24	624
PST4 65-250/30	80	65	116	606	420	180	369	280	160	360	120	147	140	18	12	71
PST4 65-250/40	80	65	116	594	420	180	369	280	190	360	120	154	140	18	12	87
PST4 65-250/55	80	65	116	638	420	180	369	280	216	360	120	193	140	18	12	98
PST4 65-315/40	80	65	125	644	505	225	440	280	190	360	120	195	140	18	12	101
PST4 65-315/55-75	80	65	125	688	505	225	440	280	216	360	120	234	140	18	12	112/130
PST4 65-315/110-150	80	65	125	858	505	225	440	280	254	360	120	283	210	18	15	163/185
PST4 80-200/30	100	80	125	606	460	250	360	280	160	345	95	151	140	14	12	68
PST4 80-200/40	100	80	125	594	460	250	360	280	190	345	95	158	140	14	12	84

MODEL MODELO MODÈLE	DIMENSIONS/DIMENSIONES/DIMENSIONS mm															kg 3~
	DN1	DN2	a	f	h	h1	n	n1	n1'	n2	b	w	m	s1	s1'	
PST4 80-250/55	100	80	125	638	535	250	410	315	216	400	120	184	140	18	12	102
PST4 80-250/75	100	80	125	638	535	250	410	315	216	400	120	184	140	18	12	120
PST4 80-250/110	100	80	125	808	535	250	410	315	254	400	120	233	210	18	15	154
PST4 80-315/55-75	100	80	125	688	565	250	452	315	216	400	120	234	140	18	12	122/140
PST4 80-315/110-150	100	80	125	858	565	250	452	315	254	400	120	283	210	18	15	173/195
PST4 80-400/185	100	80	125	902	635	280	536	315	254	400	120	283	254	18	15	251
PST4 80-400/220	100	80	125	938	635	280	536	315	279	400	120	296	241	18	15	271
PST4 80-400/300	100	80	125	1029	635	280	536	315	318	400	120	308	305	18	18	334
PST4 100-200/40	125	100	125	644	530	225	422	280	190	360	120	195	140	18	12	89
PST4 100-200/55-75	125	100	125	688	530	225	422	280	216	360	120	234	140	18	12	100/118
PST4 100-250/55-75	125	100	140	688	580	250	450	315	216	400	120	219	140	18	12	107/125
PST4 100-250/110-150	125	100	140	858	580	250	450	315	254	400	120	268	210	18	15	158/180
PST4 100-315/150	125	100	140	888	625	250	480	315	254	400	120	298	210	19	15	194
PST4 100-315/185	125	100	140	932	625	250	480	315	254	400	120	298	254	19	15	234
PST4 100-315/220	125	100	140	968	625	250	480	315	279	400	120	311	241	19	15	254
PST4 100-315/300	125	100	140	1059	625	250	480	315	318	400	120	323	305	19	18	317
PST4 100-400/300-370	125	100	140	1059	655	280	548	400	318	500	150	308	305	23	18	348/391
PST4 100-400/450	125	100	140	1099	655	280	548	400	356	500	150	324	311	23	18	418
PST4 125-200/55-75	150	125	140	718	565	250	422	315	216	400	120	249	140	19	12	107/125
PST4 125-200/110	150	125	140	888	565	250	422	315	254	400	120	298	210	19	15	170
PST4 125-250/75	150	125	140	718	605	250	500	315	216	400	120	249	140	19	12	137
PST4 125-250/110-150	150	125	140	888	605	250	500	315	254	400	120	298	210	19	15	170/192
PST4 125-250/185	150	125	140	932	605	250	500	315	254	400	120	298	254	19	15	232
PST4 125-315/185	150	125	140	932	635	280	525	400	254	500	150	283	254	23	15	252
PST4 125-315/220	150	125	140	968	635	280	525	400	279	500	150	296	241	23	15	272
PST4 125-315/300-370	150	125	140	1059	635	280	525	400	318	500	150	308	305	23	18	335/378
PST4 150-200/110-150	200	150	160	928	680	280	435	450	254	550	150	303	210	23	15	197/219
PST4 150-200/185	200	150	160	972	680	280	435	450	254	550	150	303	254	23	15	259
PST4 150-200/220	200	150	160	1008	680	280	435	450	279	550	150	316	241	23	15	279
PST4 150-250/150	200	150	160	928	715	280	510	450	254	550	150	303	210	23	15	226
PST4 150-250/185	200	150	160	972	715	280	510	450	254	550	150	303	254	23	15	266
PST4 150-250/220	200	150	160	1008	715	280	510	450	279	550	150	316	241	23	15	286
PST4 150-250/300	200	150	160	1099	715	280	510	450	318	550	150	328	305	23	18	349
PST4 150-315/370	200	150	160	1099	740	280	548	450	318	550	150	328	305	23	18	395
PST4 150-315/450	200	150	160	1139	740	280	548	450	356	550	150	344	311	23	18	422
PST4 150-315/550	200	150	160	1230	740	280	548	450	406	550	150	393	349	23	24	511
PST4 150-315/750	200	150	160	1302	740											

PS

End suction centrifugal pump
Bomba centrífuga de succión final
Pompe centrifuge aspiration finale



n ≈ 2900 rpm



PS



PSM



PSB



PSBM

NEW/NUEVO/NOUVEAU

DESCRIPTION/DESCRIPCIONES/DESCRIPTION

- ◆ Complete range with a full series of end suction pumps
 - ◆ Original design by PURITY (Patent no.201530478502.0)
 - ◆ Outstanding reliability for operation in any application
 - ◆ YE3 high efficient motor, with protection IP55 class F
 - ◆ Pump case with anti-corrosive coating
 - ◆ Customize casting logo on the bearing house as request
 - ◆ Quality NSK bearing, wear resistance mechanical seal
- ◆ Gama completa con una serie completa de bombas
 - ◆ Diseño original de PURITY (Patente no.201530478502.0)
 - ◆ Excelente fiabilidad para cualquier aplicación
 - ◆ Motor de eficiencia YE3 con Protección IP55 clase F
 - ◆ Cuerpo de bomba con tratamiento anti-corrosión
 - ◆ Personalizar el logotipo de fundición en la caja como solicitud
 - ◆ Rodamiento de marca NSK y cierre mecánico personalizado
- ◆ Gamme complète avec une série complète de pompes
 - ◆ Design original par PURITY (Brevet no.201530478502.0)
 - ◆ Fiabilité exceptionnelle pour n'importe quelle application
 - ◆ Moteur haute efficacité YE3, avec protection IP55 classe F
 - ◆ Boîtier de pompe avec revêtement anti-corrosif
 - ◆ Personnalisez le logo de coulée sur le palier comme demande
 - ◆ Roulement NSK qualité, joint mécanique de résistance à l'usure

APPLICATIONS/APLICACIONES/APPLICATIONS

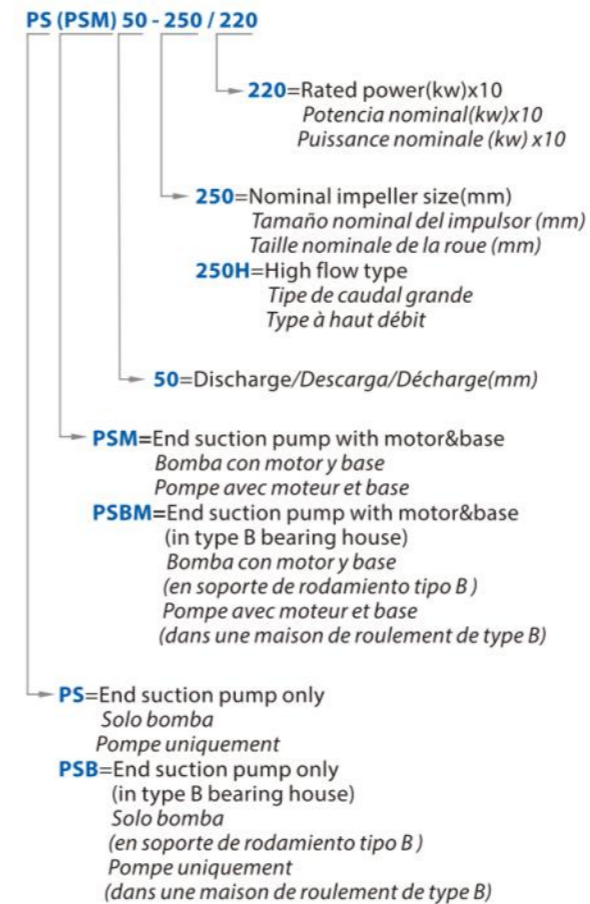
- ◆ The impressive range end-suction pumps is compatible with an array of application areas, including water intake, heating, industrial pressure boosting, industrial liquid transfer, air-conditioning, district cooling, irrigation, fire fighting and many more.
- ◆ La impresionante gama de bombas de succión final es compatible con una variedad de áreas de aplicación, que incluyen la toma de agua, calefacción, aumento de la presión industrial, transferencia de líquido industrial, aire acondicionado, refrigeración urbana, riego, extinción de incendios y muchos más.
- ◆ La gamme impressionnante de pompes à aspiration finale est compatible avec un large éventail de domaines d'application, notamment prise d'eau, chauffage, surpression industrielle, transfert de liquide industriel, climatisation, refroidissement urbain, l'irrigation, lutte contre l'incendie et bien d'autres.

USING LIMITS/LÍMITES UTILIZACIÓN/UTILISATION LIMITES

- ◆ Liquid temperature between **-10°C** and **+120°C**
 - ◆ Ambient temperature between **-10°C** and **+50°C**
 - ◆ Max. working pressure **20 bar**
 - ◆ Continuous service **S1**
- ◆ Temperatura del líquido de **-10 °C** hasta **+120 °C**
 - ◆ Temperatura ambiente de **-10 °C** hasta **+50 °C**
 - ◆ Presión máxima en el cuerpo de la bomba **20 bar**
 - ◆ Funcionamiento continuo **S1**
- ◆ Température du liquide entre **-10 °C** et **+120 °C**
 - ◆ Température ambiante entre **-10 °C** et **+50 °C**
 - ◆ Max. pression de service **20 bar**
 - ◆ Service continu **S1**

MODEL CODE/CÓDIGO MODELO/CODE MODÈLE

For example/ Por ejemplo/ Par exemple



TECHNICAL SHEET/HOJA TÉCNICA/FICHE TECHNIQUE

Model/Modelo/Modèle	PS
Capacity/Caudal/Débit	0-1000 m ³ /h
Head/Altura/Hauteur	0-153 m
DN	32-150 mm
Speed/Velocidad/Vitesse	2900 rpm
T max	120 °C
Power/Potencia/Puiss.	1.5-315 kW
Casing/Cuerpo/Corps	Grey cast iron Hierro fundido gris Fonte grise
Impeller/Impulsor/Roue	Cast iron/AISI 304/Brass Hierro fundido/Inox304/Bronce Fonte/Inox 304/Laiton
Shaft/Eje/Arbre	45# steel/AISI 304 45 # acero/Inox304 45 # acier/Inox 304
Shaft seal/Sello/Scellé	Mechanical Seal Sello mecánico Garniture mécanique
Bearing/Rodamiento/Palier	Grease lubrication rolling bearing Rodamientos lubricación con grasa Roulement lubrification à la graisse

PS4

End suction centrifugal pump
 Bomba centrífuga de succión final
 Pompe centrifuge aspiration finale



n ≈ 1450 rpm



PS4



PSM4



PSB4



PSBM4

NEW/NUEVO/NOUVEAU

DESCRIPTION/DESCRIPCIONES/DESCRIPTION

- ◆ Complete range with a full series of end suction pumps
 - ◆ Original design by PURITY (Patent no.201530478502.0)
 - ◆ Outstanding reliability for operation in any application
 - ◆ YE3 high efficient motor, with protection IP55 class F
 - ◆ Pump case with anti-corrosive coating
 - ◆ Customize casting logo on the bearing house as request
 - ◆ Quality NSK bearing, wear resistance mechanical seal
- ◆ Gama completa con una serie completa de bombas
 - ◆ Diseño original de PURITY (Patente no.201530478502.0)
 - ◆ Excelente fiabilidad para cualquier aplicación
 - ◆ Motor de eficiencia YE3 con Protección IP55 clase F
 - ◆ Cuerpo de bomba con tratamiento anti-corrosión
 - ◆ Personalizar el logotipo de fundición en la caja como solicitud
 - ◆ Rodamiento de marca NSK y cierre mecánico personalizado
- ◆ Gamme complète avec une série complète de pompes
 - ◆ Design original par PURITY (Brevet no.201530478502.0)
 - ◆ Fiabilité exceptionnelle pour n'importe quelle application
 - ◆ Moteur haute efficacité YE3, avec protection IP55 classe F
 - ◆ Boîtier de pompe avec revêtement anti-corrosif
 - ◆ Personnalisez le logo de coulée sur le palier comme demande
 - ◆ Roulement NSK qualité, joint mécanique de résistance à l'usure

APPLICATIONS/APLICACIONES/APPLICATIONS

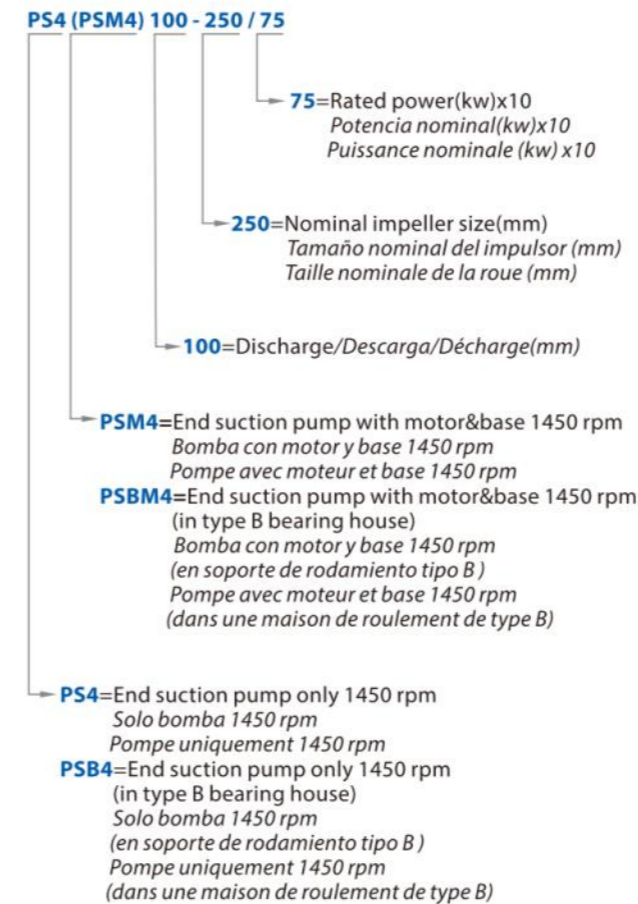
- ◆ The impressive range end-suction pumps is compatible with an array of application areas, including water intake, heating, industrial pressure boosting, industrial liquid transfer, air-conditioning, district cooling, irrigation, fire fighting and many more.
- ◆ La impresionante gama de bombas de succión final es compatible con una variedad de áreas de aplicación, que incluyen la toma de agua, calefacción, aumento de la presión industrial, transferencia de líquido industrial, aire acondicionado, refrigeración urbana, riego, extinción de incendios y muchos más.
- ◆ La gamme impressionnante de pompes à aspiration finale est compatible avec un large éventail de domaines d'application, notamment prise d'eau, chauffage, surpression industrielle, transfert de liquide industriel, climatisation, refroidissement urbain, l'irrigation, lutte contre l'incendie et bien d'autres.

USING LIMITS/LÍMITES UTILIZACIÓN/UTILISATION LIMITES

- ◆ Liquid temperature between -10°C and +120°C
 - ◆ Ambient temperature between -10°C and +50°C
 - ◆ Max. working pressure **16 bar**
 - ◆ Continuous service **S1**
- ◆ Temperatura del líquido de -10 °C hasta +120 °C
 - ◆ Temperatura ambiente de -10 °C hasta +50 °C
 - ◆ Presión máxima en el cuerpo de la bomba **16 bar**
 - ◆ Funcionamiento continuo **S1**
- ◆ Température du liquide entre -10 °C et +120 °C
 - ◆ Température ambiante entre -10 °C et +50 °C
 - ◆ Max. pression de service **16 bar**
 - ◆ Service continu **S1**

MODEL CODE/CÓDIGO MODELO/CODE MODÈLE

For example/Par ejemplo/Par exemple



TECHNICAL SHEET/HOJA TÉCNICA/FICHE TECHNIQUE

Model/Modelo/Modèle	PS4
Capacity/Caudal/Débit	0-1500 m ³ /h
Head/Altura/Hauteur	0-72 m
DN	65-250 mm
Speed/Velocidad/Vitesse	1450 rpm
T max	120°C
Power/Potencia/Puiss.	1.1-250 kW
Casing/Cuerpo/Corps	Grey cast iron Hierro fundido gris Fonte grise
Impeller/Impulsor/Roue	Cast iron/AISI 304/Brass Hierro fundido /Inox 304/Bronce Fonte /Inox 304 /Laiton
Shaft/Eje/Arbre	45# steel/AISI304 45 # acero/Inox304 45 # acier/Inox304
Shaft seal/Sello/Scellé	Mechanical Seal Sello mecánico Garniture mécanique
Bearing/Rodamiento/Palier	Grease lubrication rolling bearing Rodamientos lubricación con grasa Roulement lubrification à la graisse

50Hz n=1450r/min

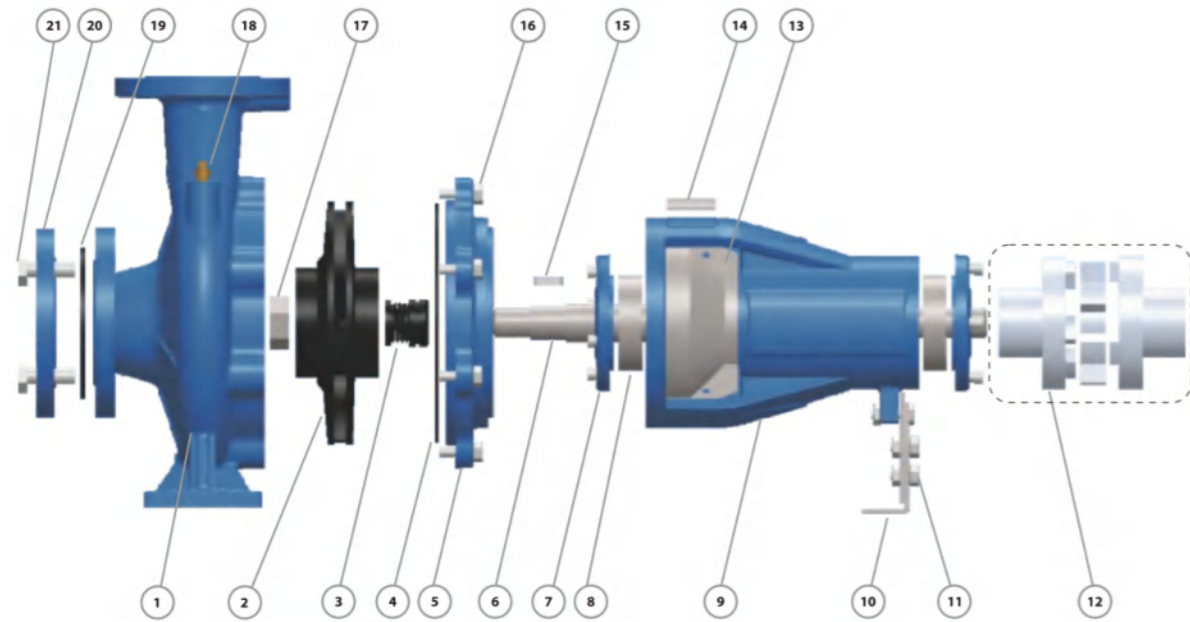
MODEL MODELO MODÈLE	DN mm	Implr Φ mm	Power Potencia Puissance kw hp		Q=DELIVERY/CAUDAL/DÉBIT																			
					H=Head/Altura/Hauteur(m)																			
					0	106	119	132	159	185	198	220	264	317	370	396	423	476	617	661	881	1101	1167	
0	400	450	500	600	700	750	833	1000	1200	1400	1500	1600	1800	2333	2500	3333	4167	5000	6667					
PS4 65-160/11	80x65	155	1.1	1.5	8	7.5	7.4	7.3	7	6.6	6.3	5.8	4.8	3.4	-	-	-	-	-	-				
PS4 65-160/15	80x65	164	1.5	2	9	8.5	8.4	8.3	8	7.6	7.4	6.9	6	4.6	-	-	-	-	-	-				
PS4 65-160/22	80x65	183	2.2	3	10.3	9.9	9.9	9.8	9.5	9.2	9	8.6	7.8	6.5	5	-	-	-	-	-				
PS4 65-200/15	80x65	190	1.5	2	10	-	-	9.6	9.1	8.5	8.2	7.6	6.4	4.6	-	-	-	-	-	-				
PS4 65-200/22	80x65	198	2.2	3	12.4	-	-	12.2	11.8	11.3	11	10.4	9.3	7.6	-	-	-	-	-	-				
PS4 65-200/30	80x65	212	3	4	14.4	-	-	14.3	13.8	13.4	13.1	12.5	11.3	9.6	7.5	-	-	-	-	-				
PS4 65-250/30	80x65	225	3	4	15.4	-	-	14.6	13.9	13.1	12.6	11.6	9.7	6.7	-	-	-	-	-	-				
PS4 65-250/40	80x65	244	4	5.5	19	-	-	18.3	17.8	17.2	16.9	16.1	14.4	11.7	-	-	-	-	-	-				
PS4 65-250/55	80x65	258	5.5	7.5	22.3	-	-	21.3	20.9	20.3	19.9	19.2	17.7	15.1	12	-	-	-	-	-				
PS4 65-315/40	80x65	262	4	5.5	18.6	-	-	17.9	17.3	16.7	16.2	15.2	13.3	-	-	-	-	-	-	-				
PS4 65-315/55	80x65	280	5.5	7.5	22.1	-	-	-	21.2	20.6	20.2	19.2	17.3	14	-	-	-	-	-	-				
PS4 65-315/75	80x65	300	7.5	10	26.5	-	-	-	25.6	25.2	24.9	24.3	23	20.8	17.6	-	-	-	-	-				
PS4 65-315/110	80x65	322	11	15	34.8	-	-	-	34.2	33.9	33.7	33.2	32.1	30.2	27.4	25.6	23.7	18.7	-	-				
PS4 65-315/150	80x65	328	15	20	40	-	-	-	39.4	39.1	38.9	38.4	37.3	35.4	32.6	30.8	28.9	23.9	-	-				
PS4 80-160/15	100x80	168	1.5	2	7.5	-	-	-	-	7.1	6.9	6.4	5.5	4.6	4.1	3.5	-	-	-	-				
PS4 80-160/22	100x80	190	2.2	3	9	-	-	-	-	8.6	8.4	8	7.4	6.6	6.2	5.7	5	-	-	-				
PS4 80-200/30	100x80	190	3	4	11.8	-	-	-	-	11	10.7	10.1	9.2	8	7.3	6.6	-	-	-	-				
PS4 80-200/40	100x80	215	4	5.5	14.2	-	-	-	-	13.8	13.6	13.3	12.4	11.3	10.7	10	9	-	-	-				
PS4 80-250/40	100x80	226	4	5.5	17	-	-	-	-	16	15.6	14.8	13.2	11.4	10.2	9	-	-	-	-				
PS4 80-250/55	100x80	240	5.5	7.5	20.5	-	-	-	-	19.5	19.1	18.4	17.2	15.5	14.5	13.5	11.1	-	-	-				
PS4 80-250/75	100x80	258	7.5	10	24	-	-	-	-	23.5	23.2	22.5	21.3	19.9	19	18.1	16	-	-	-				
PS4 80-250/110	100x80	276	11	15	28.2	-	-	-	-	27.5	27.2	26.5	25.3	23.9	23	22.1	20	15	-	-				
PS4 80-315/55	100x80	255	5.5	7.5	19.7	-	-	-	-	19.1	18.8	18.1	16.8	15	13.9	12.8	10.1	-	-	-				
PS4 80-315/75	100x80	270	7.5	10	24.6	-	-	-	-	23.9	23.6	23	21.9	20.4	19.5	18.6	16.3	-	-	-				
PS4 80-315/110	100x80	290	11	15	29.9	-	-	-	-	29.4	29.2	28.8	28.1	27	26.3	25.5	23.6	16.5	13.5	-				
PS4 80-315/150	100x80	328	15	20	36.8	-	-	-	-	36.4	36.1	35.6	34.7	33.6	33	32.4	30.9	25.3	23	-				
PS4 80-400/185	100x80	335	18.5	25	40.3	-	-	-	-	39.7	39.5	39.1	38.4	37.3	36.6	35.9	34.1	27.3	24.5	-				
PS4 80-400/220	100x80	355	22	30	45.1	-	-	-	-	44.6	44.5	44.2	43.6	42.6	42	41.4	39.8	33.4	30.7	-				
PS4 80-400/300	100x80	386	30	40	55.1	-	-	-	-	54.7	54.6	54.4	54	53.3	52.8	52.2	50.9	45.4	43.2	-				
PS4 80-400/370	100x80	396	37	50	59	-	-	-	-	58.7	58.6	58.4	58	57.3	56.8	56.2	54.9	49.4	47.2	37.5				
PS4 100-160/22	125x100	140	2.2	3	5.9	-	-	-	-	5.8	5.7	5.5	5.3	5	4.9	4.6	4.3	-	-	-				
PS4 100-160/30	125x100	165	3	4	8.2	-	-	-	-	8.1	8	7.9	7.6	7.3	7.2	6.9	6.5	5.1	-	-				
PS4 100-160/40	125x100	190	4	5.5	11.5	-	-	-	-	11.5	11.4	11.2	10.9	10.6	10.5	10.2	9.8	8.4	7.8	-				
PS4 100-200/40	125x100	185	4	5.5	11.8	-	-	-	-	11.7	11.6	11.4	11	10.5	10.3	9.7	9.1	6.8	5.9	-				
PS4 100-200/55	125x100	195	5.5	7.5	13.3	-	-	-	-	13.2	13.2	13	12.7	12.4	12.3	12	11.5	9.6	8.8	5.7				
PS4 100-200/75	125x100	210	5.5	7.5	14.8	-	-	-	-	14.7	14.7	14.5	14.2	13.9	13.8	13.5	13	11.1	10.3	7.2				
PS4 100-200/92	125x100	218	9.2	12.5	16.5	-	-	-	-	16.4	16.4	16.2	15.9	15.6	15.5	15.2	14.7	12.8	12	8.9				
PS4 100-250/55	125x100	220	5.5	7.5	15.9	-	-	-	-	15.8	15.7	15.5	14.9	14.4	14.1	13.4	12.5	9.2	7.9	-				
PS4 100-250/75	125x100	240	7.5	10	19.5	-	-	-	-	19.5	19.4	19.2	18.8	18.3	18.1	17.6	16.9	14	12.7	-				
PS4 100-250/110	125x100	257	11	15	24.3	-	-	-	-	24.3	24.2	24.1	23.7	23.3	23.1	22.7	22.1	19.7	18.6	11.4				
PS4 100-250/150	125x100	270	15	20	27.8	-	-	-	-	27.8	27.7	27.6	27.2	26.8	26.6	26.2	25.6	23.2	22.1	14.9				
PS4 100-315/150	125x100	280	15	20	28	-	-	-	-	27.8	27.6	27.2	26.9	26.7	26.2	25.6	23.1	22.1	14.9	-				
PS4 100-315/185	125x100	300	18.5	25	31	-	-	-	-	30.8	30.6	30.2	29.9	29.7	29.2	28.6	26.1	25.1	17.9	-				
PS4 100-315/220	125x100	315	22	30	35	-	-	-	-	34.4	34.2	33.8	33.5	33.3	32.8	32.2	30	29	24	17.3				
PS4 100-315/300	125x100	328	30	40	37	-	-	-	-	36.8	36.7	36.4	36.1	35.9	35.5	35.1	33.2	32.4	28	21.3				
PS4 100-400/300	125x100	358	30	40	46.4	-	-	-	-	-	46	46	46	46	45	44	42	40	29.6	-				
PS4 100-400/370	125x100	378	37	50	51.8	-	-	-	-	-	51.3	51.2	51.1	51	50.5	49.5	47.5	46	37.3	-				
PS4 100-400/450	125x100	396	45	60	57.1	-	-	-	-	-	56.7	56.4	56.1	56	56	55	53	52	45	32.1				
PS4 100-400/550	125x100	420	55	75	64	-	-	-	-	-	63.7	63.4	63.1	63	63	62	60	59	52	39.1				

PSM4 PSB4 PSBM4 also available/también disponible/aussi disponible

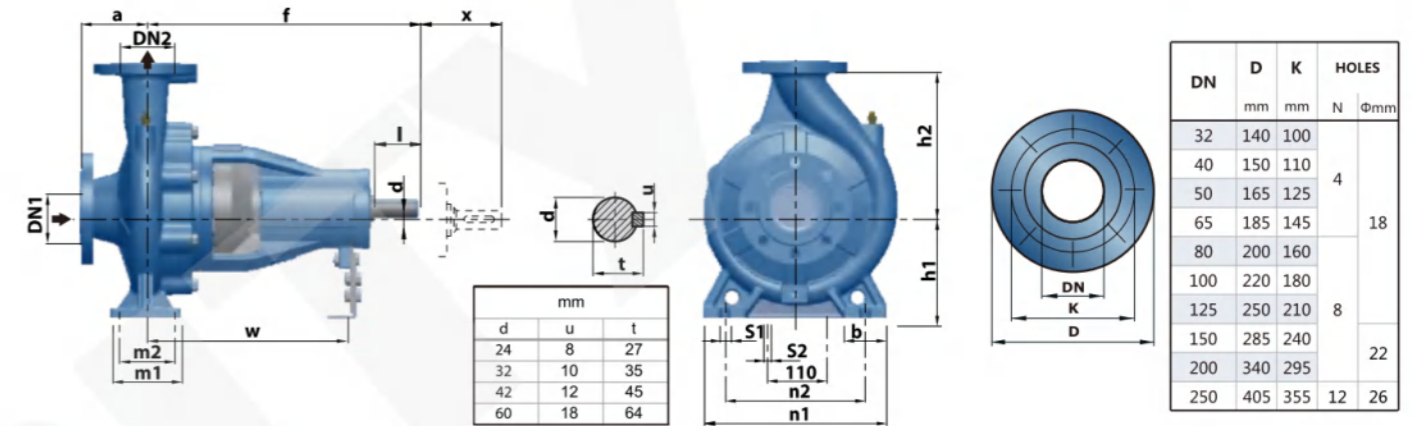
Performance curve in page/Curva en página/Courbe en page 150-159

50Hz n=1450r/min

MODEL MODELO MODÈLE	DN mm	Implr Φ mm	Power Potencia Puissance kw hp		Q=DELIVERY/CAUDAL/DÉBIT																			
					H=Head/Altura/Hauteur(m)																			
					0	132	154	176	220	264	396	441	485	617	661	881	1101	1322	1762	2203	2643			
0	500	583	667	833	1000	1500	1667	1833	2333	2500	3333	4167	5000	6667	8333	10000	11667							
PS4 125-200/55	150x125	190	5.5	7.5	11.4	11.1	11.1	11	10.9	10.8	10.2	10	9.7	8.9	8.6	6.9	-	-	-	-				
PS4 125-200/75	150x125	205	7.5	10	14.1	13.9	13.8	13.8	13.7	13.6	13.1	12.9	12.7	11.9	11.6	9.6	-	-	-	-				
PS4 125-200/110	150x125	218	11	15	18.1	17.9	17.8	17.8	17.7	17.6	17.1	16.9	16.7	15.9	15.6	13.6	9.8	-	-	-				
PS4 125-250/75	150x125	215	7.5	10	15.4	-	-	-	-	15.3	15	14.8	14.6	13.6	13.1	-	-	-	-	-				
PS4 125-250/110	150x125	240	11	15	19.4	-	-	-	-	19.3	19.1	19	18.9	18.1	17.8	15.3	11.7	-	-	-				
PS4 125-250/150	150x125	265	15	20	23.2	-	-	-	-	23.3	23.1	23	22.9	22	22	19.8	16.5	12.3	-	-				
PS4 125-250/185	150x125	274	18.5	25	25.6	-	-	-	-	25.5	25.5	25.4	25.3	24.9	24.7	23	20.3	16.5	-	-				
PS4 125-315/185	150x125	280	18.5	25	27.3	-	-	-	-	-	26.9	26.7	25.9	25.6	23.3	19.7	14.9	-	-	-				
PS4 125-315/220	150x125	295	22	30	30	-	-	-	-	-	29.7	29.6	28.9	28.6	26.5	23.2	18.4	-	-	-				
PS4 125-315/300	150x125	310	30	40	35.6	-	-	-	-	-	35.4	35.3	34.8	34.6	32.9	30.1	26.1	-	-	-				
PS4 125-315/370	150x125	328	37	50	38.2	-	-	-	-	-	38	37.9	37.4	37.2	35.7	33.1	29.4	17.8	-	-				
PS4 125-400/300	150x125	350	30	40	41	-	-	-	-	-	41	40.5	40.3	39.2	38.6	34.4	27.5	18.3	-	-				
PS4 125-400/370	150x125	370	37	50	46.2	-	-	-	-	-	46	45.7	45.5	44.6	44.2	40.7	34.8	26.5	-	-				
PS4 125-400/450	150x125	390	45	60	51.4	-	-	-	-	-	51	50.9	50.8	50.1	49.8	47	42.2	34.8	-	-				
PS4 125-400/550	150x125	410	55	75	56.5	-	-	-	-	-	56.3	56.3	56.2	55.9	55.7	53.8	50.3	44.7	26.7	-				
PS4 125-400/750	150x125	425	75	100	64.5	-	-	-	-	-	64.3	64.3												

MATERIAL DESCRIPTION/DESCRIPCIÓN DE MATERIAL/DESCRIPTION DU MATÉRIEL


No.	Description Descripción Description	Material Material Matériel	No.	Description Descripción Description	Material Material Matériel	No.	Description Descripción Description	Material Material Matériel
1	Pump Case Cuerpo de Bomba Boîtier de pompe	Cast iron Fundición Fonte	8	Bearing Rodamiento Palier	Ball Bearing Bola Rodamiento Roulement à billes	15	Impeller Key Chaveta Impulsor Clé de roue	Iron Hierro Le fer
2	Impeller Impulsor Roue	SS304/Cast iron Inox304/Fundición Inox304 / Fonte	9	Support Case Cuerpo Soporte Cas de support	Cast iron Fundición Fonte	16	Connection Bolt Perno Boulon de connexion	Steel Acero Acier
3	Mechanical Seal Cierre Mecánico Garniture mécanique	SiC/Carbon/SS304 SiC/Grafito/Inox304 SiC/Carbon/Inox304	10	Support Foot Soporte Pie Pied de support	Iron Hierro Le fer	17	Impeller Nut Tuerca de Impulsor Écrou de roue	Galvanized Steel Acero Galvanizado Acier Galvanisé
4	O-ring Junta Tórica Joint torique	Rubber Caucho Caoutchouc	11	Foot Bolt Perno Boulon de pied	Steel Acero Acier	18	Release Valve Tapón Cebado Soupape de décharge	Brass Bronce Laiton
5	Connection Conexión Lien	Cast iron Fundición Fonte	12	Coupling(Optional) Unión(Opcional) Accouplement (facultatif)	Steel Acero Acier	19	Gasket Empaque Joint	Rubber Caucho Caoutchouc
6	Shaft Eje Arbre	SS304/45# Steel Inox304/45# Hierro Acier Inox304/ 45 #	13	Case Cover Tapa Cuerpo Housse de protection	SS304 Inox304	20	Counter Flange Contra Brida Contre bride	Galvanized Cast iron Fundición Galvanizada Fonte Galvanisée
7	Bearing Cover Tapa Rodamiento Couvercle de palier	Cast iron Fundición Fonte	14	Nameplate Letrero Plaque signalétique	Aluminum Aluminio Aluminium	21	Flange Bolt Perno de Brida Boulon à bride	Steel Acero Acier

DIMENSIONS AND WEIGHT/DIMENSIONES Y PESOS/DIMENSIONS ET POIDS


MODEL MODELO MODÈLE	DIMENSIONS/DIMENSIONES/DIMENSIONS mm																kg 3~	
	DN1	DN2	a	f	h1	h2	b	m1	m2	n1	n2	s1	s2	w	x	d		l
32-160	50	32	80	360	132	160	55	95	70	240	190	14	14	260	100	24	50	31
32-200	50	32	80	360	160	180	55	95	70	240	190	14	14	260	100	24	50	35
32-250	50	32	80	360	160	180	55	95	70	240	190	14	14	260	100	24	50	35
40-160	65	40	80	360	132	160	50	100	70	240	190	14	14	260	100	24	50	35
40-200	65	40	100	360	160	180	55	100	70	265	212	14	14	260	100	24	50	38
40-250	65	40	100	360	180	225	65	125	95	320	250	14	14	260	100	24	50	58
40-315	65	40	125	500	200	160	65	125	95	345	280	14	14	370	140	32	80	82
50-125	65	50	100	360	132	180	50	100	70	240	190	14	14	260	100	24	50	30
50-160	65	50	100	360	160	200	55	100	70	265	212	14	14	260	100	24	50	35
50-200	65	50	100	360	160	225	50	100	70	265	212	14	14	260	100	24	50	45
50-250	65	50	100	360	180	180	65	125	95	320	250	14	14	260	100	24	50	50
50-315	65	50	125	500	225	280	65	125	95	345	280	14	14	370	140	32	80	90
65-125	80	65	100	360	160	250	65	125	95	280	212	14	14	260	100	24	50	42
65-160	80	65	100	360	160	200	65	125	95	280	212	14	14	260	100	24	50	45
65-200	80	65	100	360	180	225	65	125	95	320	250	14	14	260	140	24	50	50
65-250	80	65	100	470	200	250	80	160	120	360	280	18	14	340	140	32	80	71
65-315	80	65	125	470	225	280	80	160	120	360	280	18	14	340	140	32	80	98
80-125	100	80	100	360	180	225	65	125	95	320	250	14	14	260	140	24	50	46
80-160	100	80	100	360	180	225	65	125	95	345	250	14	14	260	140	24	50	48
80-200	100	80	100	470	200	250	65	125	95	345	280	14	14	340	140	32	80	65
80-250	100	80	100	470	200	280	80	160	120	400	315	18	14	340	140	32	80	79
80-315	100	80	125	470	250	315	80	160	120	400	315	18	14	340	140	24	50	118
80-400	100	80	125	540	280	355	80	160	120	400	315	18	14	340	140	32	80	150
100-160	125	100	125	360	200	280	80	160	120	360	280	18	14	260	140	32	80	55
100-200	125	100	125	470	200	280	80	160	120	360	280	18	14	340	140	32	80	75
100-250	125	100	125	470	225	280	80	160	120	400	315	18	14	340	140	32	80	88
100-315	125	100	140	470	250	315	80	160	120	400	315	19	14	340	140	32	80	116
100-400	125	100	140	530	280	355	100	200	150	500	400	23	14	370	140	42	110	178
125-200	150	125	140	470	250	315	80	160	120	400	315	19	14	340	140	32	80	112
125-250	150	125	140	470	250	355	80	160	120	400	315	19	14	340	140	32	80	112
125-250H	150	125	140	530	250	355	80	160	120	400	315	19	14	370	140	42	110	140
125-315	150	125	140	530	280	355	100	200	150	500	400	23	14	370	140	42	110	152
125-400	150	125	140	530	315	400	100	200	150	500	400	23	14	370	140	42	110	200
150-200	200	150	160	470	280	400	100	200	150	550	450	23	14	370	140	32	80	166
150-250	200	150	160	530	280	400	100	200	150	550	450	23	14	370	140	42	110	180
150-315	200	150	160	530	280	400	100	200	150	550	450	23	14	370	140	42	110	186
150-400	200	150	160	530	315	450	100	200	150	550	450	23	14	370	140	42	110	228
200-250	250	200	180	530	355	475	100	200	150	550	450	23	14	370	200	42	110	230
200-315	250	200	180	530	355	450	100	200	150	550	450	23	14	370	200	42	110	234
200-400	250	200	180	770	400	500	110	300	250	710	600	28	14	525	250	60	140	363
250-315	300	250	250	530	400	500	110	300	250	710	600	28	14	525	250	42	110	316
250-400	300	250	250	770	400	560	110	300	250	710	600	28	14	525	250	60	140	400



PW

Same port centrifugal pump
 Bomba centrífuga misma puerto
 Pompe centrifuge même port

50Hz n=2900 r/min

MODEL MODELO MODÈLE	DN mm	Power Potencia Puissance		Q=DELIVERY/CAUDAL/DÉBIT																
		kw	hp	l/min	100	150	250	300	400	450	600	700	800	900	1200	1400	1500	1800	2000	2300
				m ³ /h	6	9	15	18	24	27	36	42	48	54	72	84	90	108	120	138
				H=Head/Altura/Hauteur(m)																
PW 80-125/22	80x80	2.2	3	17	-	-	-	-	-	-	15.4	14	12.8	11.5	6.5	-	-	-	-	-
PW 80-125/30	80x80	3	4	20	-	-	-	-	-	-	18.8	18	17	15.6	11	-	-	-	-	-
PW 80-125/40	80x80	4	5.5	24	-	-	-	-	-	-	23.1	23	21.5	20.3	15.8	11.8	-	-	-	-
PW 80-160/55	80x80	5.5	7.5	32	-	-	-	-	-	-	30.6	30	28	26.6	20.5	14.8	-	-	-	-
PW 80-160/75	80x80	7.5	10	40	-	-	-	-	-	-	38	37	36	34.4	29	24	21	-	-	-
PW 80-200/92	80x80	9.2	12.5	50.5	-	-	-	-	-	-	46.8	45	43	40.9	32.5	25.7	-	-	-	-
PW 80-200/110	80x80	11	15	57.5	-	-	-	-	-	-	53.5	52	50	47.5	40	33	29	-	-	-
PW 80-250/150	80x80	15	20	68.5	-	-	-	-	-	-	64	63	61.5	59	50	41	-	-	-	-
PW 80-250/185	80x80	18.5	25	79	-	-	-	-	-	-	75.8	74.8	74	71.5	63.5	55.5	47	-	-	-
PW 80-250/220	80x80	22	30	89.5	-	-	-	-	-	-	86	85.3	84	81.5	73.5	65.5	57	-	-	-
PW 100-125/40	100x100	4	5.5	19	-	-	-	-	-	-	-	-	17.3	16.8	14.5	13	11.8	-	-	-
PW 100-125/55	100x100	5.5	7.5	23	-	-	-	-	-	-	-	-	21.3	20.9	19	17.5	16.7	13.7	-	-
PW 100-125/75	100x100	7.5	10	27	-	-	-	-	-	-	-	-	26	25.6	24.5	23	22.5	20	18	-
PW 100-160/92	100x100	9.2	12.5	33	-	-	-	-	-	-	-	-	31.5	30	28	27.1	24	21.5	-	-
PW 100-160/110	100x100	11	15	36	-	-	-	-	-	-	-	-	34.5	33	31.5	30.8	28	25.5	-	-
PW 100-160/150	100x100	15	20	42	-	-	-	-	-	-	-	-	41	40	38.5	37.8	35	33	29.5	-
PW 100-200/150	100x100	15	20	45	-	-	-	-	-	-	-	-	45.5	43	41	40.2	36.5	34	-	-
PW 100-200/185	100x100	18.5	25	52	-	-	-	-	-	-	-	-	52.3	51	49	48.2	44.5	42	-	-
PW 100-200/220	100x100	22	30	59	-	-	-	-	-	-	-	-	59.5	58	56	55	52	49.5	44.5	-

NEW/NUEVO/NOUVEAU

DESCRIPTION/DESCRIPCIONES/DESCRIPTION

- ◆ New same DN centrifugal pump
 - ◆ Original design by PURITY (Patent no.201530478502.0)
 - ◆ Both square motor & round motor available
 - ◆ YE3 high efficient motor, with protection IP55 class F
 - ◆ Pump case with anti-corrosive coating
 - ◆ Galvanized counter flange with bolts, nuts and gaskets
 - ◆ Quality NSK bearing, wear resistance mechanical seal
- ◆ Nuevas bomba centrífuga misma DN
 - ◆ Diseño original de PURITY (Patente no.201530478502.0)
 - ◆ Motor redondo y cuadrado disponible
 - ◆ Motor de eficiencia YE3 con Protección IP55 clase F
 - ◆ Cuerpo de bomba con tratamiento anti-corrosión
 - ◆ Contrabridas galvanizadas con pernos, tuercas y empaques
 - ◆ Rodamiento de marca NSK y cierre mecánico personalizado
- ◆ Nouvelle pompe centrifuge même DN
 - ◆ Design original par PURITY (Brevet no.201530478502.0)
 - ◆ Moteur carré et moteur rond disponibles
 - ◆ Moteur haute efficacité YE3, avec protection IP55 classe F
 - ◆ Boîtier de pompe avec revêtement anti-corrosif
 - ◆ Contre-bride galvanisée avec boulons, écrous et joints
 - ◆ Roulement NSK qualité, joint mécanique de résistance à l'usure

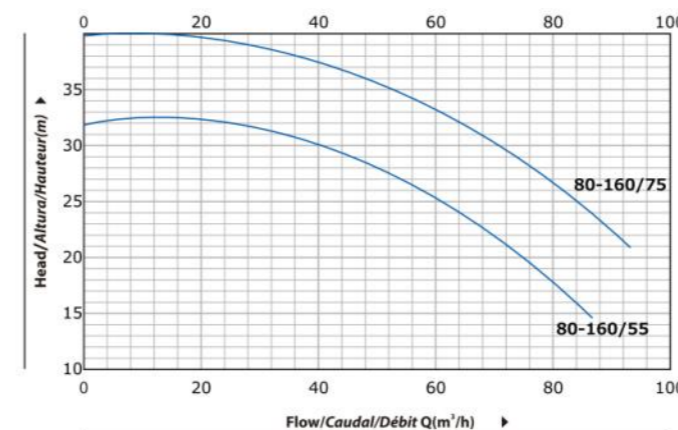
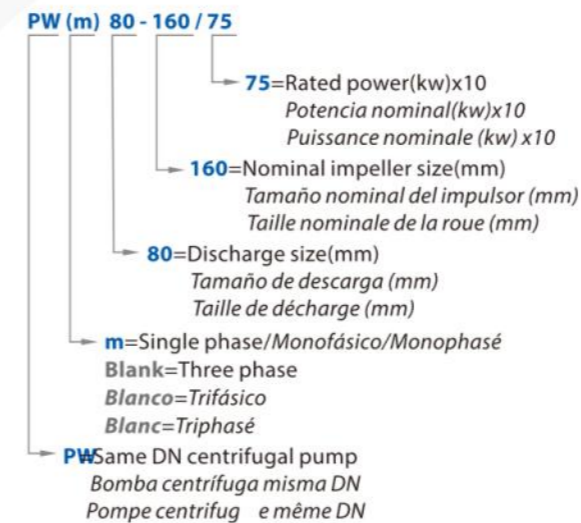
USING LIMITS/LÍMITES UTILIZACIÓN/UTILISATION LIMITES

- ◆ Liquid temperature between **-10°C** and **+120°C**
 - ◆ Ambient temperature between **0°C** and **+50°C**
 - ◆ Max. working pressure **16 bar/Continuous S1**
- ◆ Temperatura del líquido de **-10 °C** hasta **+120 °C**
 - ◆ Temperatura ambiente de **0 °C** hasta **+50 °C**
 - ◆ Presión máxima **16 bar/Continuo S1**
- ◆ Température du liquide entre **-10 °C** et **+120 °C**
 - ◆ Température ambiante entre **0 °C** et **+50 °C**
 - ◆ Max. pression de service **16 bar/Continu S1**

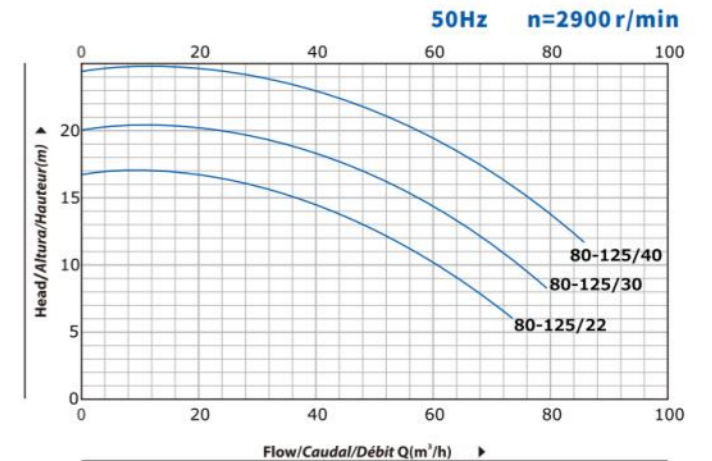
APPLICATIONS/APLICACIONES/APPLICATIONS

- ◆ For conveying water and other liquids similar to water in physical and chemical properties, suitable for energy, metallurgy, chemical, textile, paper and hotels and other boiler water pressurization transport and urban heating system circulation pump.
- ◆ Para el transporte de agua y otros líquidos similares al agua en propiedades físicas y químicas, adecuado para la energía, metalurgia, química, textil, papel y hoteles y otras calderas de presurización de agua de transporte y sistema de calefacción urbana bomba de circulación.
- ◆ Pour le transport de l'eau et d'autres liquides semblables à l'eau dans les propriétés physiques et chimiques, approprié à l'énergie, à la métallurgie, à la chimie, au textile, au papier et aux hôtels et à d'autres transports de pressurisation d'eau de chaudière et pompe de circulation de système de chauffage Urbain.

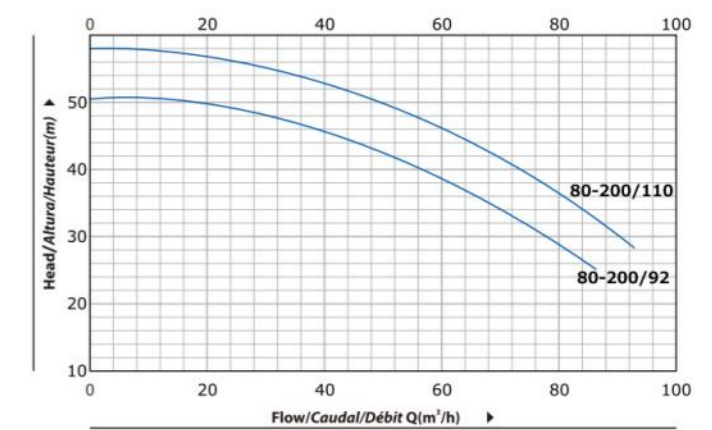
For example/Por ejemplo/Par exemple



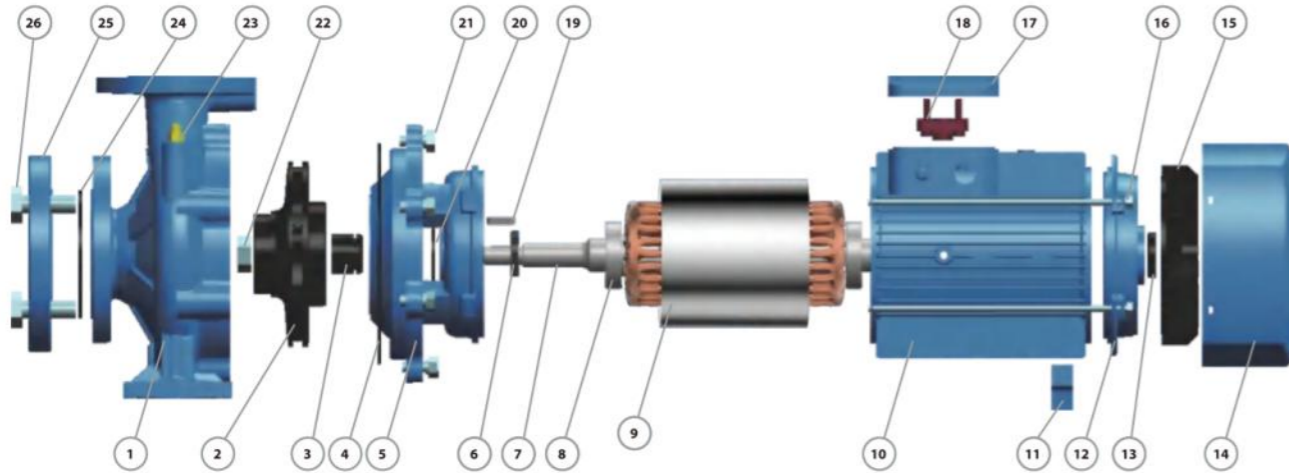
80-160



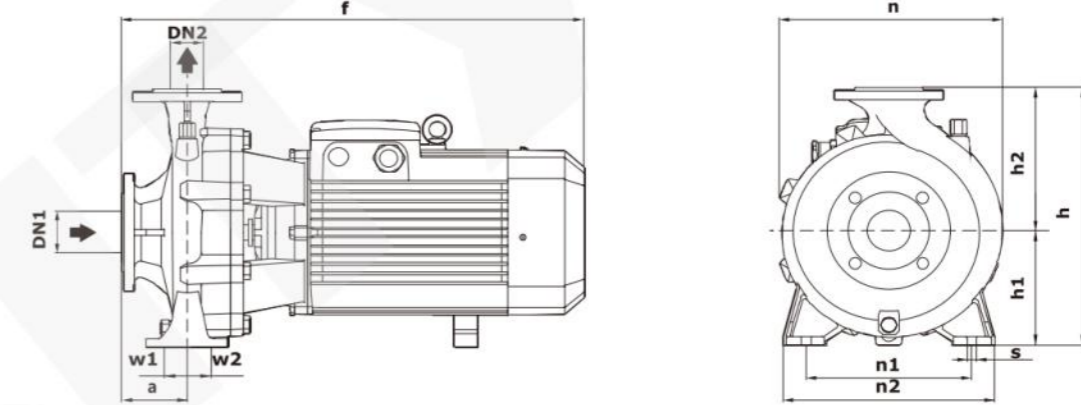
80-125



80-200

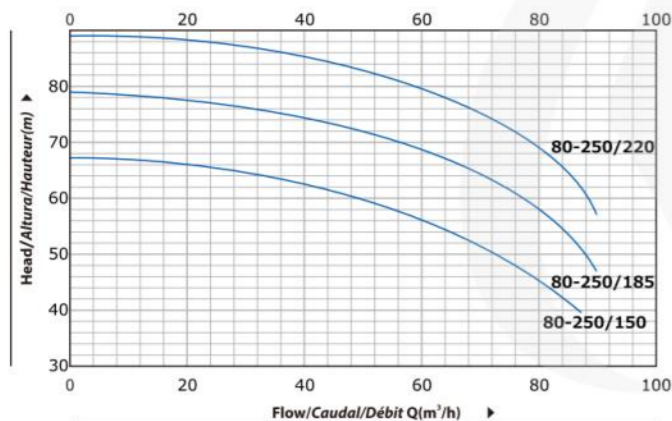
MATERIAL DESCRIPTION/DESCRIPCIÓN DE MATERIAL/DESCRIPTION DU MATÉRIEL


No.	Description Descripción Description	Material Material Matériel	No.	Description Descripción Description	Material Material Matériel	No.	Description Descripción Description	Material Material Matériel
1	Pump Case Cuerpo/Boitier	Cast iron Fundición/Fonte	10	Motor Case Cuerpo Motor/Boitier Moteur	Aluminum Aluminio/Aluminium	19	Impeller Key Chaveta/Clé	Iron Hierro/Le fer
2	Impeller Impulsor/Roue	Cast iron Fundición/Fonte	11	Support Foot Soporte Pie/Pied support	Plastic Plástico/Plastique	20	Water Deflector Deflector/Défecteur	Rubber Caucho/Caoutchouc
3	Mechanical Seal Cierre Mecánico/Sceller	SiC-Carbon Silicio-Grafita/Silicium-Carbon	12	Back Cover Tapa Trasera/Capot Arrière	Cast iron Fundición/Fonte	21	Connection Bolt Perno/Boulon	Steel Acero/Acier
4	O-ring	Rubber	13	Reinforced Seal Sello Reforzado/Sceller	Rubber Caucho/Caoutchouc	22	Impeller Nut Nuez/Noix	Galvanized Steel Acero Galvanizado/Acier Galvanisé
5	Joint Toric/Joint Torique	Cast iron Fundición/Fonte	14	Fan Cover Tapa/Capot	Aluminum Aluminio/Aluminium	23	Release Valve Tapón Cebado/Vanne Purge	Brass Bronce/Laiton
6	Connection Conexión/Lien	Rubber Caucho/Caoutchouc	15	Fan Ventilador/Ventilateur	Plastic Plástico/Plastique	24	Gasket Empaque/Joint	Rubber Caucho/Caoutchouc
7	Reinforced Seal Sello Reforzado/Sceller	Cast iron Fundición/Fonte	16	Through Bolt Perno/Boulon	Steel Acero/Acier	25	Counter Flange Contra Brida/Contre bride	Galvanized Cast iron Fundición Galvanizado/Fonte
8	Shaft Eje/Arbre	SS304-45# Steel Inox 304-Hierro/Inox304-Acier	17	Terminal Box Caja Bornas/Boite Bornes	Aluminum Aluminio/Aluminium	26	Flange Bolt Perno Brida/Boulon bride	Steel Acero/Acier
9	Bearing Rodamiento/Palier	Ball Bearing Bola Rodamiento/Palier Balle	18	Terminal Board Tablero Bornas/Bornier	Plastic Plástico/Plastique			

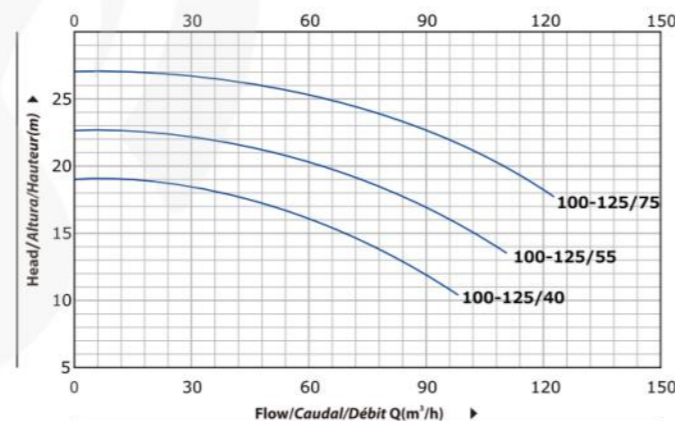
DIMENSIONS AND WEIGHT/DIMENSIONES Y PESOS/DIMENSIONS ET POIDS


MODEL/MODELO/MODÈLE		DIMENSIONS/DIMENSIONES/DIMENSIONS mm													kg			
Single-phase Monofásico Monophasé	Three-phase Trifásico Triphasé	DN1	DN2	a	f	h	h1	h2	n	n1	n2	w1	w2	s	1~	3~		
80-125/22	80-125/22	80	80	102	525	305	135	170	263	190	245	37	37	8	45	41		
80-125/30	80-125/30														54	50		
-	80-125/40														-	52		
-	80-160/55														-	64		
-	80-160/75														-	71		
-	80-200/92			100	100	104	722	392	186	206	307	232	307	49	49	10	-	90
-	80-200/110																-	106
-	80-250/150																-	145
-	80-250/185																-	153
-	80-250/220																-	183
-	100-125/40	102	580			345	162	193	275	212	275	49	49	10	-	56		
-	100-125/55														-	68		
-	100-125/75														-	74		
-	100-160/92														-	90		
-	100-160/110														-	106		
-	100-160/150	120	740	415	186	230	330	250	330	-	-	-	-	134				
-	100-200/150									-	140							
-	100-200/185									-	145							
-	100-200/220									-	185							

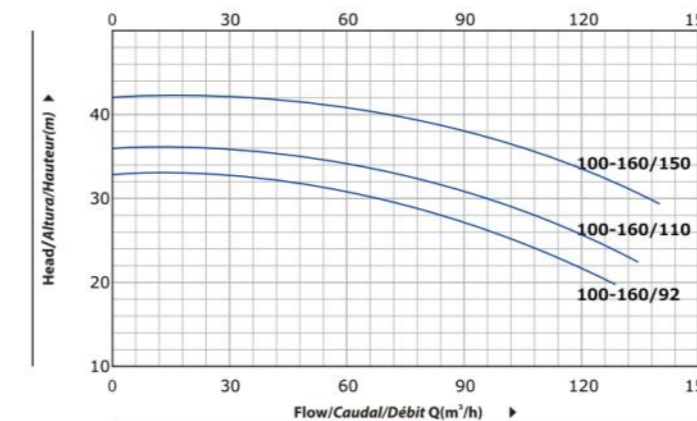
50Hz n=2900 r/min



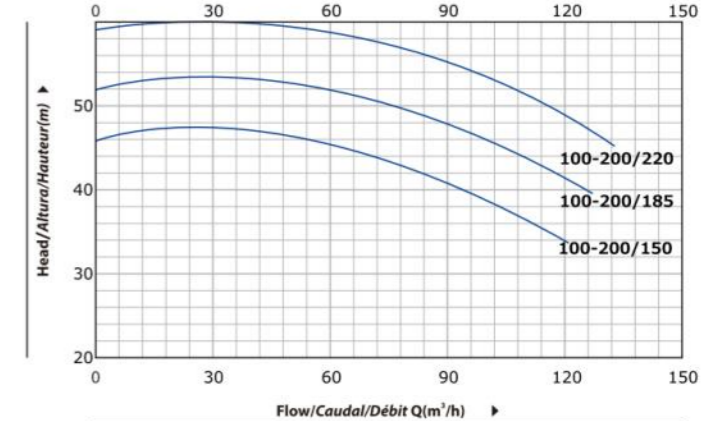
80-250



100-125



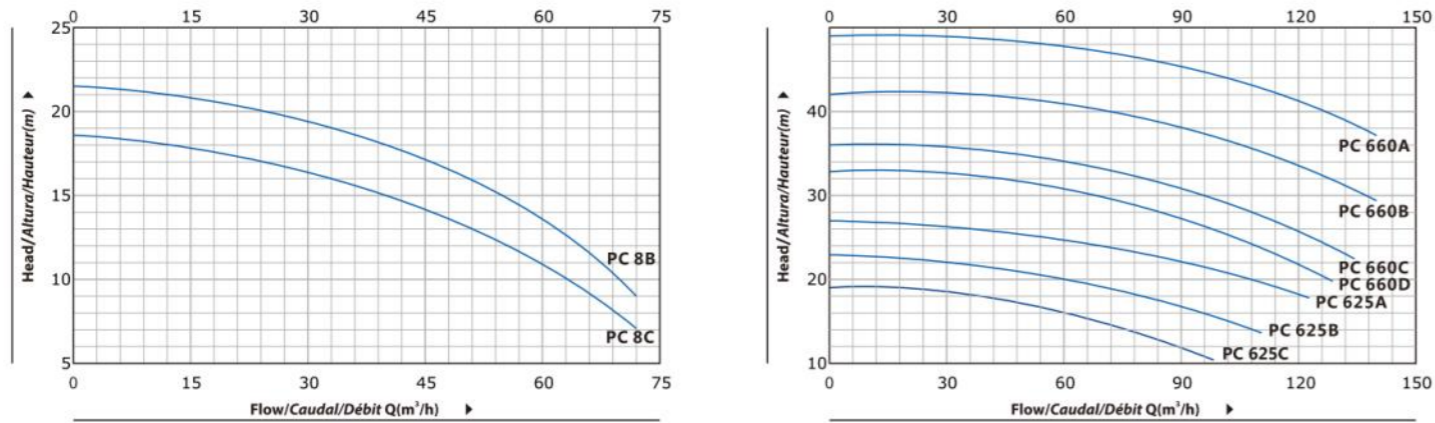
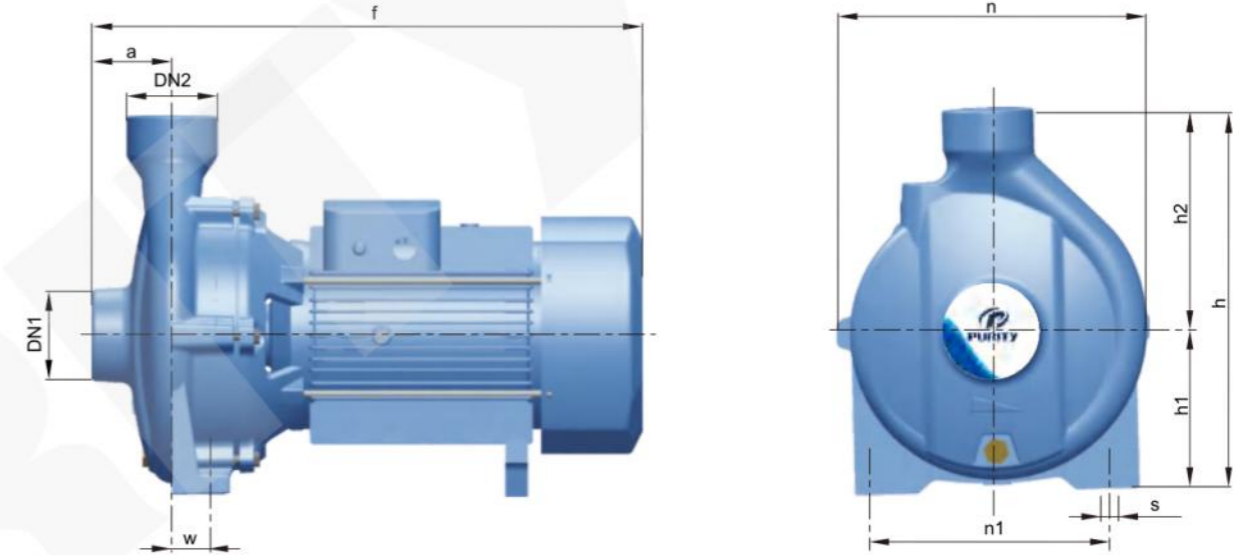
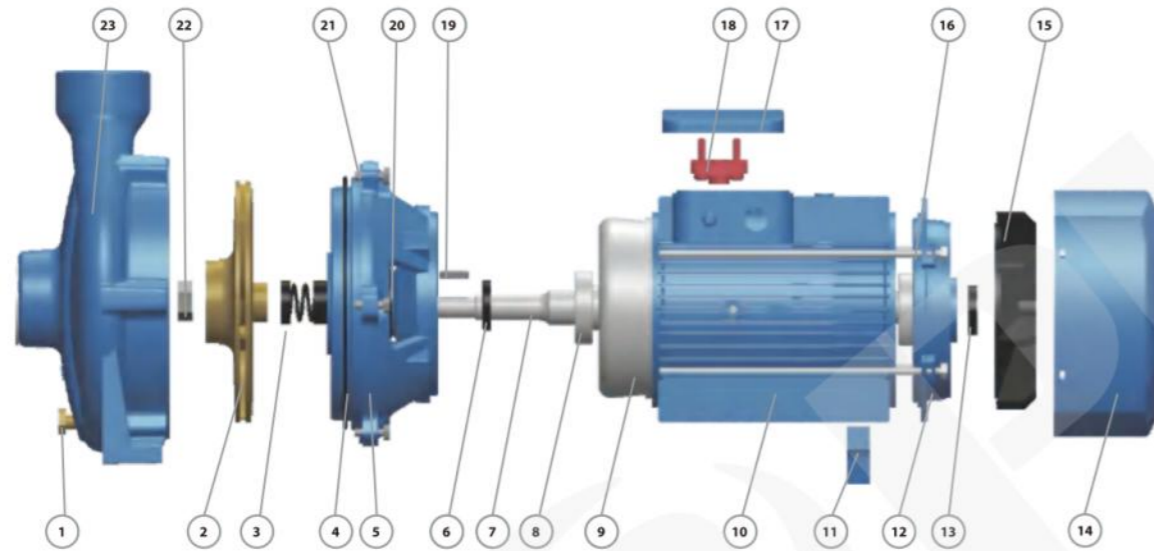
100-160



100-200

PERFORMANCE CURVE/CURVA DE RENDIMIENTO/COURBE DE PERFORMANCE

50Hz n=2900 r/min


DIMENSIONS AND WEIGHT/DIMENSIONES Y PESOS/DIMENSIONS ET POIDS

MATERIAL DESCRIPTION/DESCRIPCIÓN DE MATERIAL/DESCRIPTION DU MATÉRIEL


No.	Description Descripción Description	Material Material Matériel	No.	Description Descripción Description	Material Material Matériel	No.	Description Descripción Description	Material Material Matériel
1	Release Valve Tapón Cebado Soupape de décharge	Brass Bronce Laiton	9	Wound Stator/Rotor Estator/Rotor Stator/Rotor	Silicon Steel/Copper Silicio-Cobre Silicium-Cuivre	17	Terminal Box Caja Bornas Boîte Bornes	Aluminum Aluminio Aluminium
2	Impeller Impulsor Roue	Brass Bronce Laiton	10	Motor Case Cuerpo Motor Boitier Moteur	Aluminum Aluminio Aluminium	18	Terminal Board Tablero Bornas Bornier	Plastic Plástico Plastique
3	Mechanical Seal Cierre Mecánico Sceller	SiC/Carbon/SS304 SiC/Grafito/Inox304 SiC/Carbon/Inox304	11	Support Foot Soporte Pie Pied support	Plastic Plástico Plastique	19	Impeller Key Chaveta Clé	Iron Hierro Le fer
4	O-ring Junta Toricar Joint Torique	Rubber Caucho Caoutchouc	12	Back Cover Tapa Trasera Capot Arrière	Cast iron Fundición Fonte	20	Water Deflector Deflector Déflecteur	Rubber Caucho Caoutchouc
5	Connection Conexión Lien	Cast iron Fundición Fonte	13	Reinforced Seal Sello Reforzado Sceller	Rubber Caucho Caoutchouc	21	Connection Bolt Perno Boulon	Steel Acero Acier
6	Reinforced Seal Sello Reforzado Sceller	Rubber Caucho Caoutchouc	14	Fan Cover Tapa Capot	Aluminum Aluminio Aluminium	22	Impeller Nut Nuez Noix	Galvanized Steel Acero Galvanizado Acier Galvanisé
7	Shaft Eje Arbre	SS304-45# Steel Inox 304-Hierro Inox304-Acier	15	Fan Ventilador Ventilateur	Plastic Plástico Plastique	23	Pump Case Cuerpo de Bomba Boitier de pompe	Cast iron Fundición Fonte
8	Bearing Rodamiento Palier	Ball Bearing Bola Rodamiento Palier Balle	16	Through Bolt Perno Boulon	Steel Acero Acier			

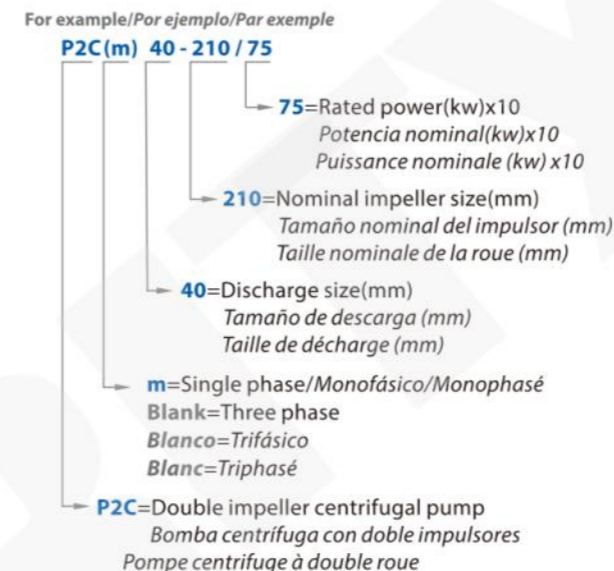
MODEL/MODELO/MOÛLE	Single-phase Monofásico Monophasé	Three-phase Trifásico Triphasé	DIMENSIONS/DIMENSIONES/DIMENSIONS mm										kg		
			DN1	DN2	a	f	h	h1	h2	n	n1	w	s	1~	3~
PC 5B	PC 5B		50	50	51	398	265	105	160	206	160	1	11	18	17
PC 5BM	PC 5BM		50	50	51	398	265	105	160	206	160	1	11	19.9	18.9
PC 5AM	PC 5AM		50	50	51	398	265	105	160	206	160	1	11	21.9	20.9
PC 220C	PC 220C		50	50	75	472	322	132	190	245	165	40	14	29.5	28.5
-	PC 220B		50	50	75	472	322	132	190	245	165	40	14	-	32.3
-	PC 680C		50	50	75	535	335	140	195	273	190	40	14	-	42
-	PC 680B		50	50	75	535	335	140	195	273	190	40	14	-	47
PC 6C	PC 6C		80	80	68	435	317	120	197	240	190	6	12	25	24
PC 6B	PC 6B		80	80	68	435	317	120	197	240	190	6	12	26.5	25.5
PC 6A	PC 6A		80	80	68	435	317	120	197	240	190	6	12	27.7	26.7
-	PC 6H		80	80	68	435	317	120	197	240	190	6	12	-	35
-	PC 560C		80	80	79	578	372	163	209	263	212	32	16	-	52
-	PC 560B		80	80	79	578	372	163	209	263	212	32	16	-	64
-	PC 560A		80	80	79	578	372	163	209	263	212	32	16	-	71
PC 8C	PC 8C		100	100	70	482	322	120	202	245	190	30	14	31	30
-	PC 8B		100	100	70	482	322	120	202	245	190	30	14	-	35
-	PC 625C		100	100	85	593	373	163	210	267	212	32	16	-	63
-	PC 625B		100	100	85	593	373	163	210	267	212	32	16	-	68
-	PC 625A		100	100	85	593	373	163	210	267	212	32	16	-	74
-	PC 660D		100	100	85	605	415	186	229	305	222	49	16	-	90
-	PC 660C		100	100	85	605	415	186	229	305	222	49	16	-	106
-	PC 660B		100	100	85	605	415	186	229	305	222	49	16	-	134
-	PC 660A		100	100	85	605	415	186	229	305	222	49	16	-	155



P2C

Double impeller centrifugal pump
Bomba centrífuga con doble impulsores
Pompe centrifuge à double roue

MODEL CODE/CÓDIGO MODELO/CODE MODÈLE



NEW/NUEVO/NOUVEAU

DESCRIPTION/DESCRIPCIONES/DESCRIPTION

- ◆ Double brass impeller pump in thread port design
 - ◆ Complete range with a full series of double impeller pump
 - ◆ Pump case with high-strength alloy steel HT500
 - ◆ YE3 high efficient motor, with protection IP55 class F
 - ◆ Shaft in stainless steel AISI 304
 - ◆ Quality NSK bearing, wear resistance mechanical seal
 - ◆ Used for any high pressure requirement
- ◆ Bomba doble impulsor de latón en diseño de puerto de rosca
 - ◆ Gama completa con una serie completa de bomba doble impulsor
 - ◆ Caja de bomba con acero aleado de alta resistencia HT500
 - ◆ Motor de alta eficiencia YE3, con protección IP55 clase F
 - ◆ Eje en acero inoxidable 304
 - ◆ Rodamiento de marca NSK y cierre mecánico personalizado
 - ◆ Se utiliza para cualquier requisito de alta presión.
- ◆ Pompe à double turbine en laiton dans la conception
 - ◆ Gamme complète avec une série complète pompes à double roue
 - ◆ Carter de pompe en acier allié haute résistance HT500
 - ◆ Moteur haute efficacité YE3, avec protection IP55 classe F
 - ◆ Arbre en acier inoxydable 304
 - ◆ Roulement NSK qualité, joint mécanique de résistance à l'usure
 - ◆ Utilisé pour toute exigence de haute pression

USING LIMITS/LÍMITES UTILIZACIÓN/UTILISATION LIMITES

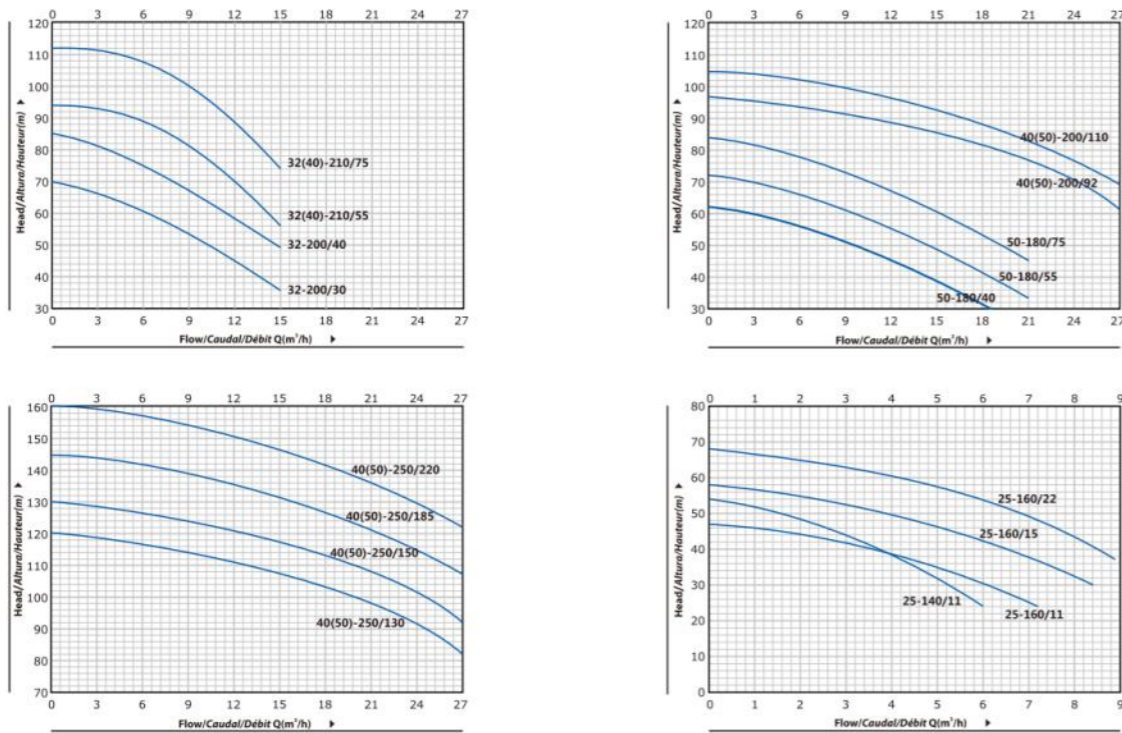
- ◆ Liquid temperature between **-10°C** and **+120°C**
 - ◆ Ambient temperature between **0°C** and **+50°C**
 - ◆ Max. working pressure **20 bar/Continuous S1**
- ◆ Temperatura del líquido de **-10 °C** hasta **+120 °C**
 - ◆ Temperatura ambiente de **0 °C** hasta **+50 °C**
 - ◆ Presión máxima **20 bar/Continuo S1**
- ◆ Température du liquide entre **-10 °C** et **+120 °C**
 - ◆ Température ambiante entre **0 °C** et **+50 °C**
 - ◆ Max. pression de service **20 bar/Continu S1**

APPLICATIONS/APLICACIONES/APPLICATIONS

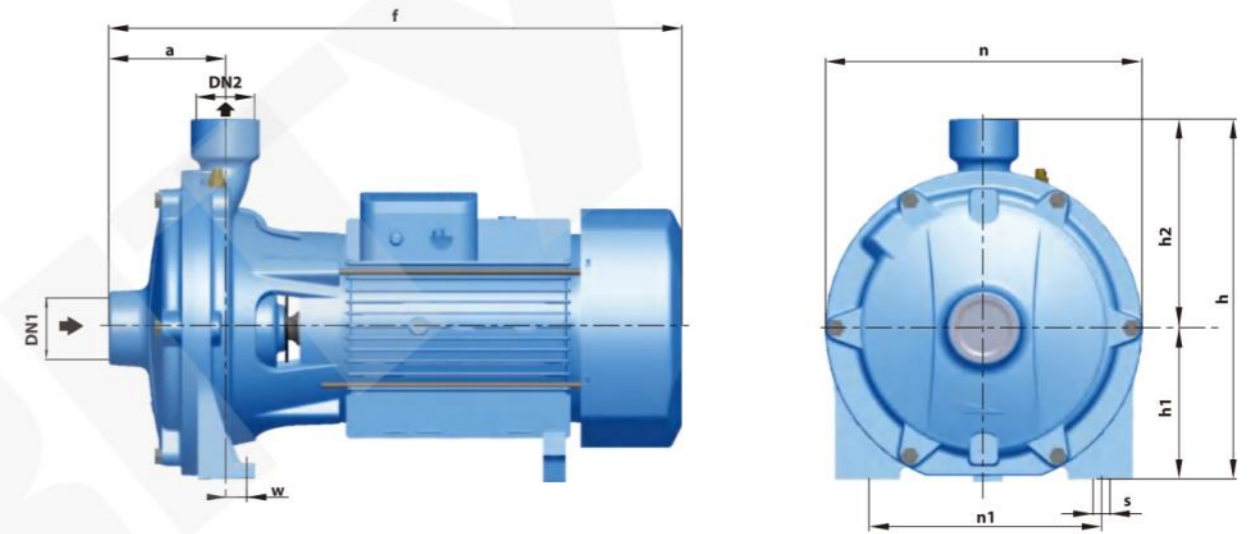
- ◆ For conveying water and other liquids similar to water in physical and chemical properties, suitable for energy, metallurgy, chemical, textile, paper and hotels and other boiler water pressurization transport and urban heating system circulation pump.
- ◆ Para el transporte de agua y otros líquidos similares al agua en propiedades físicas y químicas, adecuado para la energía, metalurgia, química, textil, papel y hoteles y otras calderas de presurización de agua de transporte y sistema de calefacción urbana bomba de circulación.
- ◆ Pour le transport de l'eau et d'autres liquides semblables à l'eau dans les propriétés physiques et chimiques, approprié à l'énergie, à la métallurgie, à la chimie, au textile, au papier et aux hôtels et à d'autres transports de pressurisation d'eau de chaudière et pompe de circulation de système de chauffage Urbain.

50Hz n=2900 r/min

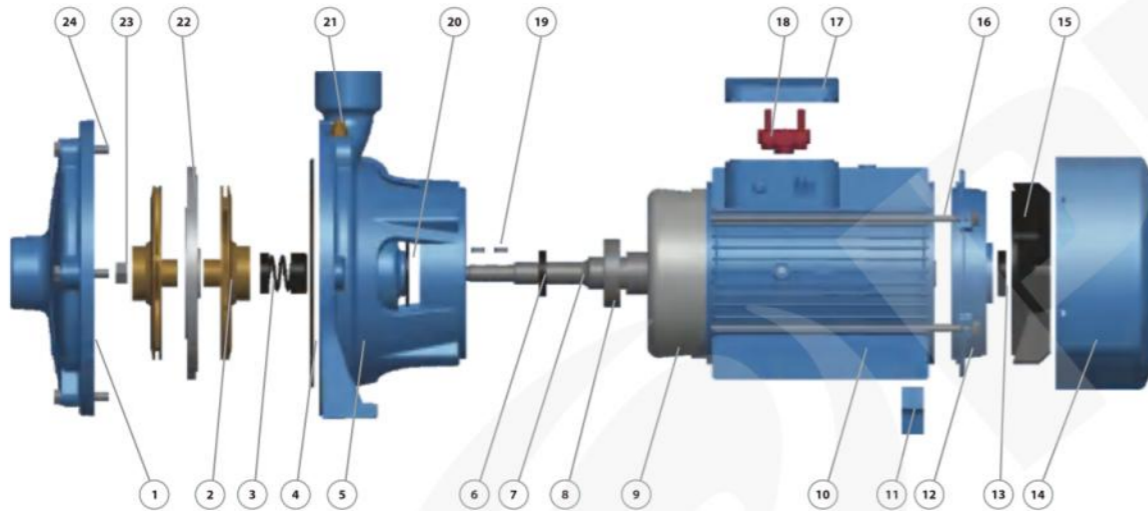
MODEL MODELO MODÈLE	DN mm	Power Potencia Puissance		Q=DELIVERY/CAUDAL/DÉBIT																		
		kw	hp	l/min m³/h	40	50	60	70	80	90	100	110	120	140	160	180	200	250	300	350	400	450
					2.4	3	3.6	4.2	4.8	5.4	6	6.6	7.2	8.4	9.6	10.8	12	15	18	21	24	27
P2C 25-140/11	32x25	1.1	1.5	54	47.5	44.5	41	37	33	28	22	-	-	-	-	-	-	-	-	-	-	-
P2C 25-160/11	32x25	1.1	1.5	47	44	42	40	38	35	33	30	27	24	-	-	-	-	-	-	-	-	-
P2C 25-160/15	32x25	1.5	2	58	54	53	51	49	47	45	43	40	37	30	-	-	-	-	-	-	-	-
P2C 25-160/22	32x25	2.2	3	68	64.5	63	62	60	58	56	54	51	48	41	32	-	-	-	-	-	-	-
P2C 32-200/30	40x32	3	4	70	-	-	-	-	63	62	60.5	59	57	55	52	49.5	46.5	36	-	-	-	-
P2C 32-200/40	40x32	4	5.5	85	-	-	-	-	77	76	75	74	72	69	66	62	58	49	-	-	-	-
P2C 32-210/55	50x32	5.5	7.5	94	-	-	-	-	91	90	89	87	85	83	79	75	70	56	-	-	-	-
P2C 32-210/75	50x32	7.5	10	112	-	-	-	-	110	109	108	107	105	102	99	94	89	74	-	-	-	-
P2C 40-210/55	50x40	5.5	7.5	94	-	-	-	-	91	90	89	87	85	83	79	75	70	56	-	-	-	-
P2C 40-210/75	50x40	7.5	10	112	-	-	-	-	110	109	108	107	105	102	99	94	89	74	-	-	-	-
P2C 50-180/40	50x50	4	5.5	62	-	-	-	-	59	58	57	56	55	55	50	48	44	36	31	23	-	-
P2C 50-180/55	50x50	5.5	7.5	72	-	-	-	-	69	68	67	66	65	65	60	58	54	46	41	33	-	-
P2C 50-180/75	50x50	7.5	10	84	-	-	-	-	81	80	79	78	76	75	72	72	66	58	53	45	-	-
P2C 40-200/92	50x40	9.2	12.5	97	-	-	-	-	-	-	-	-	-	91.5	91	90	88	85	80	74	68	61
P2C 40-200/110	50x40	11	15	105	-	-	-	-	-	-	-	-	-	100	99	98	97	93	88	83	76	69
P2C 50-200/92	50x50	9.2	12.5	97	-	-	-	-	-	-	-	-	-	91.5	91	90	88	85	80	74	68	61
P2C 50-200/110	50x50	11	15	105	-	-	-	-	-	-	-	-	-	100	99	98	97	93	88	83	76	69
P2C 40-250/130	50x40	13	17.5	120	-	-	-	-	-	-	-	-	-	114	113	112	110	107	103	98	91	82
P2C 40-250/150	50x40	15	20	130	-	-	-	-	-	-	-	-	-	124	123	122	120	117	113	108	102	92
P2C 40-250/185	50x40	18.5	25	145	-	-	-	-	-	-	-	-	-	139	138	137	136	131	126	121	114	107
P2C 40-250/220	50x40	22	30	160	-	-	-	-	-	-	-	-	-	155	153	152	151	146	141	135	130	122
P2C 50-250/130	50x50	13	17.5	120	-	-	-	-	-	-	-	-	-	114	113	112	110	107	103	98	91	82
P2C 50-250/150	50x50	15	20	130	-	-	-	-	-	-	-	-	-	124	123	122	120	117	113	108	102	92
P2C 50-250/185	50x50	18.5	25	145	-	-	-	-	-	-	-	-	-	139	138	137	136	131	126	121	114	107
P2C 50-250/220	50x50	22	30	160	-	-	-	-	-	-	-	-	-	155	153	152	151	146	141	135	130	122



DIMENSIONS AND WEIGHT/DIMENSIONES Y PESOS/DIMENSIONS ET POIDS



MATERIAL DESCRIPTION/DESCRIPCIÓN DE MATERIAL/DESCRIPTION DU MATÉRIEL



No.	Description Descripción	Material Matériel	No.	Description Descripción	Material Matériel	No.	Material Matériel	Material Matériel
1	Pump Case Cuerpo Boitier	Cast iron Fundición Fonte	9	Wound Stator/Rotor Estator/Rotor	Silicon Steel/Copper Silicio-Cobre Silicium-Cuivre	17	Terminal Box Caja Bornas Boîte Bornes	Aluminum Aluminio Aluminium
2	Impeller Impulsor Roue	Brass Bronce Laiton	10	Motor Case Cuerpo Motor Boitier Moteur	Aluminum Aluminio Aluminium	18	Terminal Board Tablero Bornas Bornier	Plastic Plástico Plastique
3	Mechanical Seal Cierre Mecánico Sceller	SiC/Carbon/SS304 SiC-Grafito-Inox304 SiC/Carbon/Inox304	11	Support Foot Soporte Pie Pied support	Plastic Plástico Plastique	19	Impeller Key Chaveta Clé	Iron Hierro Le fer
4	O-ring Junta Torica Joint Torique	Rubber Caucho Caoutchouc	12	Back Cover Tapa Trasera Capot Arrière	Cast iron Fundición Fonte	20	Water Deflector Deflector Déflecteur	Rubber Caucho Caoutchouc
5	Connection Conexión Lien	Cast iron Fundición Fonte	13	Reinforced Seal Sello Reforzado Sceller	Rubber Caucho Caoutchouc	21	Release Valve Tapón Cebado Soupape de décharge	Brass Bronce Laiton
6	Reinforced Seal Sello Reforzado Sceller	Rubber Caucho Caoutchouc	14	Fan Cover Tapa Capot	Aluminum Aluminio Aluminium	22	Diffuser Difusor Diffuseur	Cast iron Fundición Fonte
7	Shaft Eje Arbre	SS304-45# Steel Inox304-Hier Inox304-Acier	15	Fan Ventilador Ventilateur	Plastic Plástico Plastique	23	Impeller Nut Nuez Noix	Galvanized Steel Acero Galvanizado Acier Galvanisé
8	Bearing Rodamiento Palier	Ball Bearing Bola Rodamiento Palier Balle	16	Through Bolt Perno Boulon	Steel Acero Acier	24	Connection Bolt Perno Boulon de connexion	Steel Acero Acier

MODEL/MODELO/MODÈLE	Single-phase Monofásico Monophasé	Three-phase Trifásico Triphasé	DIMENSIONS/DIMENSIONES/DIMENSIONS mm										kg	
			DN1	DN2	a	f	h	h1	h2	n	n1	w	s	1~
25-140/11	25-140/11	32	25	84	420	232	95	137	200	150	19	10	19.8	18.8
25-160/11	25-160/11	32	25	84	420	270	110	160	225	172	19	11	19.8	18.8
25-160/15	25-160/15	32	25	84	420	270	110	160	225	172	19	11	24.2	23.2
25-160/22	25-160/22	32	25	84	420	270	110	160	225	172	19	11	25.5	24.5
32-200/30	32-200/30	40	32	103	503	317	132	185	280	205	16	14	39	38
-	32-200/40	40	32	103	503	317	132	185	280	205	16	14	-	43
-	32-210/55	50	32	108	565	352	155	197	300	246	16	14	-	54
-	32-210/75	50	32	108	565	352	155	197	300	246	16	14	-	61
-	50-180/40-55-75	50	50	108	565	352	155	197	300	246	16	14	-	49/54/61
-	40-210/55-75	50	40	108	565	352	155	197	300	246	16	14	-	54/61
-	40-200/92	50	40	119	615	355	150	205	304	215	11	14	-	89
-	40-200/110	50	40	119	615	355	150	205	304	215	11	14	-	90
-	50-200/92	50	50	119	615	355	150	205	304	215	11	14	-	89
-	50-200/110	50	50	119	615	355	150	205	304	215	11	14	-	90
-	40-250/130	50	40	124	740	407	170	237	357	270	17	14	-	110
-	40-250/150	50	40	124	740	407	170	237	357	270	17	14	-	120
-	40-250/185	50	40	124	740	407	170	237	357	270	17	14	-	130
-	40-250/220	50	40	124	740	407	170	237	357	270	17	14	-	140
-	50-250/130	50	50	124	740	407	170	237	357	270	17	14	-	110
-	50-250/150	50	50	124	740	407	170	237	357	270	17	14	-	120
-	50-250/185	50	50	124	740	407	170	237	357	270	17	14	-	130
-	50-250/220	50	50	124	740	407	170	237	357	270	17	14	-	140



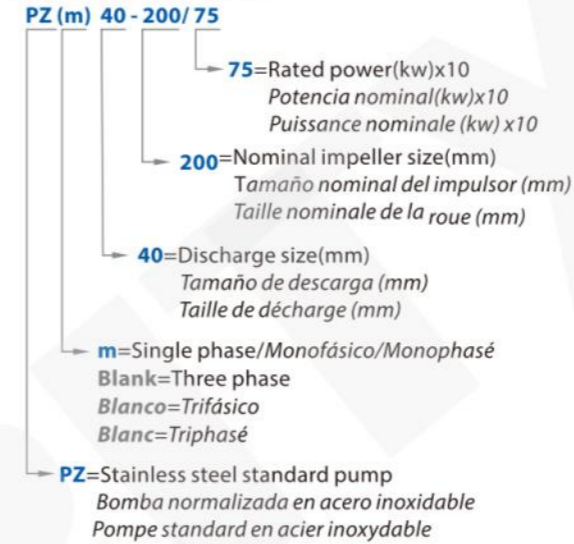
PZ

Stainless steel standard pump
Bomba normalizada en acero inoxidable
Pompe standard en acier inoxydable



MODEL CODE/CÓDIGO MODELO/CODE MODÈLE

For example/ Por ejemplo/ Par exemple



NEW/NUEVO/NOUVEAU

DESCRIPTION/DESCRIPCIONES/DESCRIPTION

- ◆ Stainless steel 304 standard pump design
- ◆ All wetted parts are in stainless steel 304
- ◆ Both square motor & round motor available
- ◆ Stainless steel AISI 316 material as request
- ◆ Back pull-out design without removing the pipes
- ◆ Quality NSK bearing, wear resistance mechanical seal
- ◆ Available to delivery some impure liquid
- ◆ Diseño de bomba estándar de acero inoxidable 304
- ◆ Todas las partes húmedas son de acero inoxidable 304.
- ◆ Motor cuadrado y motor redondo disponibles.
- ◆ Material de acero inoxidable 316 según pedido
- ◆ Diseño de extracción posterior sin quitar las tuberías
- ◆ Rodamiento de marca NSK y cierre mecánico personalizado
- ◆ Disponible para la entrega de algún líquido impuro
- ◆ Conception de pompe standard en acier inoxydable 304
- ◆ Toutes les pièces en contact avec le fluide sont en inox304
- ◆ Moteur carré et moteur rond disponibles
- ◆ Matériau en acier inoxydable 316 comme demande
- ◆ Conception arrière coulissante sans retirer les tuyaux
- ◆ Roulement NSK qualité, joint mécanique de résistance à l'usure
- ◆ Disponible pour la livraison de liquide impur

USING LIMITS/LÍMITES UTILIZACIÓN/UTILISATION LIMITES

- ◆ Liquid temperature between -10°C and +120°C
- ◆ Ambient temperature between 0°C and +50°C
- ◆ Max. working pressure **16 bar/Continuous S1**
- ◆ Temperatura del líquido de -10 °C hasta +120 °C
- ◆ Temperatura ambiente de 0 °C hasta +50 °C
- ◆ Presión máxima **16 bar/Continuo S1**
- ◆ Température du liquide entre -10 °C et +120 °C
- ◆ Température ambiante entre 0 °C et +50 °C
- ◆ Max. pression de service **16 bar/Continu S1**

APPLICATIONS/APLICACIONES/APPLICATIONS

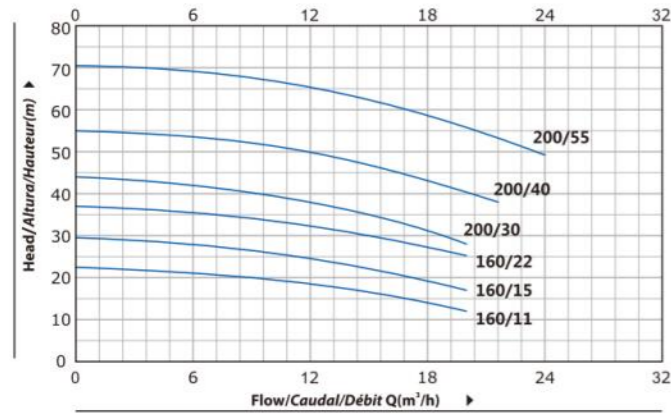
- ◆ Transport does not contain solid particles, suitable for pressurized transport of corrosive media, and places requiring clean water quality
- ◆ El transporte no contiene partículas sólidas, adecuadas para el transporte presurizado de medios corrosivos, y lugares que requieren agua de calidad limpia
- ◆ Le Transport ne contient pas de particules solides, convient au Transport sous pression de milieux corrosifs et aux endroits exigeant une qualité d'eau propre

50Hz n=2900 r/min

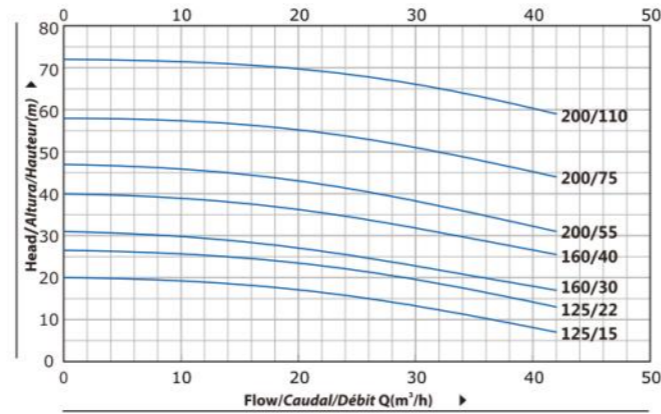
MODEL MODELO MODÈLE	DN mm	Power Potencia Puissance		Q=DELIVERY/CAUDAL/DÉBIT																		
		kw	hp	l/min	150	200	300	333	400	600	700	900	1200	1900	2100	2200	2300	2500	3400	3600	3800	4000
				m ³ /h	9	12	18	20	24	36	42	54	72	114	126	132	138	150	204	216	228	240
H=Head/Altura/Hauteur(m)																						
PZ 32-160/11	50x32	1.1	1.5	22.5	19.9	18.4	14.1	12	-	-	-	-	-	-	-	-	-	-	-	-	-	
PZ 32-160/15	50x32	1.5	2	29.5	26.5	24.5	19.2	17	-	-	-	-	-	-	-	-	-	-	-	-	-	
PZ 32-160/22	50x32	2.2	3	37	34	32	27	25	-	-	-	-	-	-	-	-	-	-	-	-	-	
PZ 32-200/30	50x32	3	4	44	40	37.5	31	28	-	-	-	-	-	-	-	-	-	-	-	-	-	
PZ 32-200/40	50x32	4	5.5	55	52	49.5	43.5	40.5	37	-	-	-	-	-	-	-	-	-	-	-	-	
PZ 32-200/55	50x32	5.5	7.5	70.5	67.5	65	58.5	55	51	-	-	-	-	-	-	-	-	-	-	-	-	
PZ 40-125/15	65x40	1.5	2	20	-	19	17.6	17	15.7	10.3	7	-	-	-	-	-	-	-	-	-	-	
PZ 40-125/22	65x40	2.2	3	26.5	-	25.5	24	23.5	22	16.4	13	-	-	-	-	-	-	-	-	-	-	
PZ 40-160/30	65x40	3	4	31	-	29.5	27.5	27	25.5	20	17	-	-	-	-	-	-	-	-	-	-	
PZ 40-160/40	65x40	4	5.5	40	-	38.5	37	36	34.5	29	25.5	-	-	-	-	-	-	-	-	-	-	
PZ 40-200/55	65x40	5.5	7.5	47	-	45.5	44	43	41	35	31	-	-	-	-	-	-	-	-	-	-	
PZ 40-200/75	65x40	7.5	10	58	-	57	55.5	55	53.5	47.5	44	-	-	-	-	-	-	-	-	-	-	
PZ 40-200/110	65x40	11	15	72	-	71	70	70	68.5	63	59	-	-	-	-	-	-	-	-	-	-	
PZ 50-125/22	65x50	2.2	3	19	-	-	-	-	17.5	14.9	13.4	10.7	-	-	-	-	-	-	-	-	-	
PZ 50-125/30	65x50	3	4	22	-	-	-	-	20.5	18.4	17	14.4	8	-	-	-	-	-	-	-	-	
PZ 50-125/40	65x50	4	5.5	26.5	-	-	-	-	26	24	22.5	20.5	14	-	-	-	-	-	-	-	-	
PZ 50-160/55	65x50	5.5	7.5	33	-	-	-	-	31	28.5	27	24.5	18	-	-	-	-	-	-	-	-	
PZ 50-160/75	65x50	7.5	10	40	-	-	-	-	38.5	36	35	32.5	26	-	-	-	-	-	-	-	-	
PZ 50-200/92	65x50	9.2	12.5	53	-	-	-	-	49	47.5	44.5	34	-	-	-	-	-	-	-	-	-	
PZ 50-200/110	65x50	11	15	59	-	-	-	-	55	54	51	42	-	-	-	-	-	-	-	-	-	
PZ 50-200/150	65x50	15	20	72	-	-	-	-	69	68	65	57	-	-	-	-	-	-	-	-	-	
PZ 65-125/40	80x65	4	5.5	22.2	-	-	-	-	19.8	19	17.3	13.5	6.3	-	-	-	-	-	-	-	-	
PZ 65-125/55	80x65	5.5	7.5	27	-	-	-	-	-	24	22.2	18.5	10.8	8	-	-	-	-	-	-	-	
PZ 65-125/75	80x65	7.5	10	32	-	-	-	-	-	29.5	27.8	24	16.1	13.4	12	-	-	-	-	-	-	
PZ 65-160/92	80x65	9.2	12.5	36.5	-	-	-	-	-	34.5	32.8	29	21.1	18.3	16.8	-	-	-	-	-	-	
PZ 65-160/110	80x65	11	15	40.5	-	-	-	-	-	38.5	37.1	33.5	25.8	23	21.5	20	-	-	-	-	-	
PZ 65-160/150	80x65	15	20	48	-	-	-	-	-	45.5	44	40.5	32.6	29.6	23	26.5	-	-	-	-	-	
PZ 65-200/150	80x65	15	20	53.5	-	-	-	-	-	51	49	44.5	35.3	31.8	30	-	-	-	-	-	-	
PZ 65-200/185	80x65	18.5	25	60.5	-	-	-	-	-	58.5	56.5	52	43	39.7	38	36.3	-	-	-	-	-	
PZ 65-200/220	80x65	22	30	67	-	-	-	-	-	65.5	64	60	51	48	46.5	45	-	-	-	-	-	
PZ 80-160/110	100x80	11	15	29	-	-	-	-	-	-	-	27.5	24.2	23	22.4	21.8	20.4	12.5	-	-	-	
PZ 80-160/150	100x80	15	20	35	-	-	-	-	-	-	-	34.5	31.5	30.5	30	29.4	28.1	21	19.1	17	-	
PZ 80-160/185	100x80	18.5	25	40	-	-	-	-	-	-	-	39.5	36.7	35.7	35.2	34.7	33.5	26.4	24.4	22.3	20	
PZ 80-200/220	100x80	22	30	50	-	-	-	-	-	-	-	48.5	44.5	43	42	41	39	27.8	25	-	-	
PZ 80-200/300*	100x80	30	40	60	-	-	-	-	-	-	-	59	56	54.5	54	53	51	41.5	39	36.1	33	
PZ 80-200/370*	100x80	37	50	66	-	-	-	-	-	-	-	64	61	59.5	59	58	56.5	47	44.5	41.5	38.5	

PERFORMANCE CURVE/CURVA DE RENDIMIENTO/COURBE DE PERFORMANCE

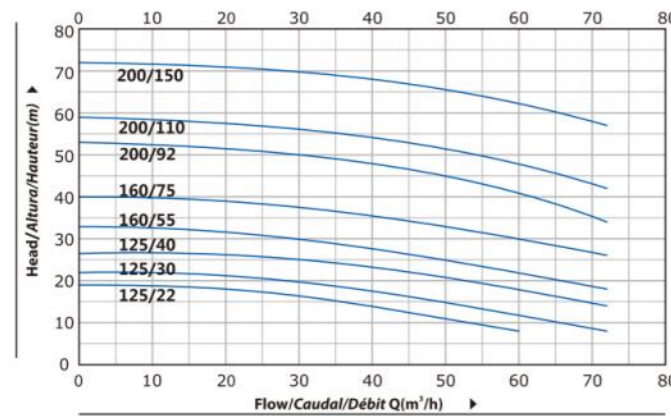
50Hz n=2900 r/min



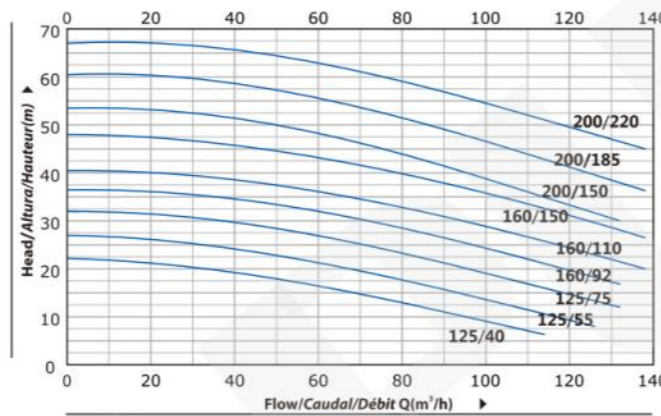
PZ 32



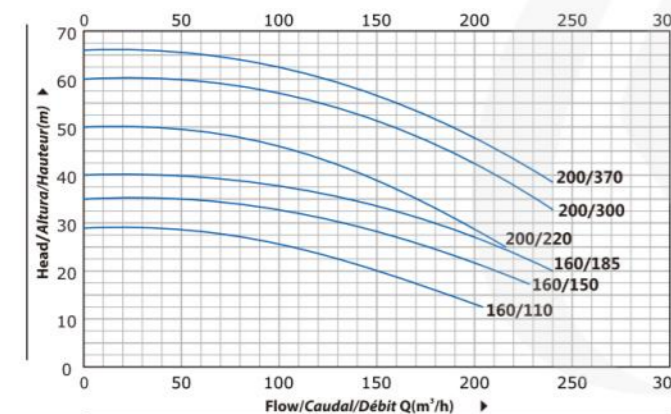
PZ 40



PZ 50



PZ 65



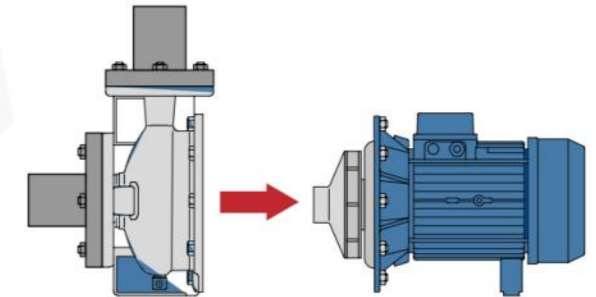
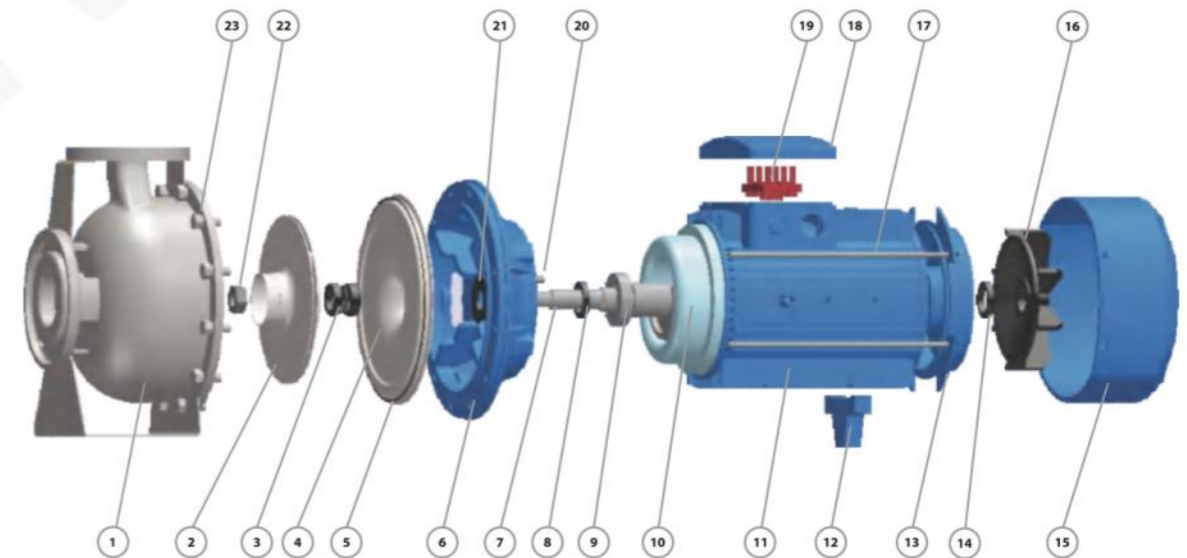
PZ 80

Back pull-out design
Diseño extraíble hacia atrás
Conception arriere coulissante

It allows removal of the motor, the coupling, the cantilever support and the impeller without compromising the housing of the pump body or removing the pipes.

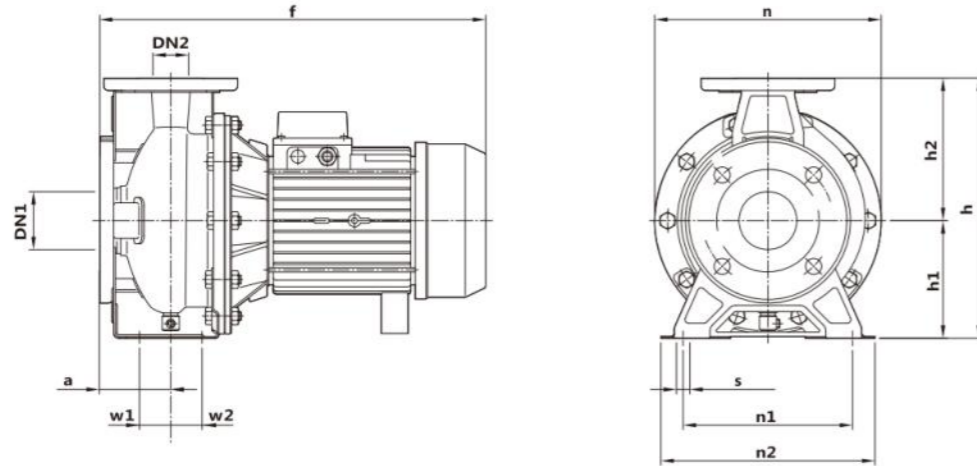
Permite retirar el motor, el acoplamiento, el soporte en voladizo y el impulsor sin comprometer la carcasa del cuerpo de la bomba ni quitar las tuberías.

Il permet le démontage du moteur, de l'accouplement, du support en porte-à-faux et de la roue sans compromettre le logement du corps de pompe ou retirer les tuyaux.


MATERIAL DESCRIPTION/DESCRIPCIÓN DE MATERIAL/DESCRIPTION DU MATÉRIEL


No.	Description Descripción Description	Material Material Matériel	No.	Description Descripción Description	Material Material Matériel	No.	Description Descripción Description	Material Material Matériel
1	Pump Case Cuerpo de Bomba Boîtier de pompe	SS304 Inox 304	9	Bearing Rodamiento Palier	Ball Bearing Bola Rodamiento Palier Balle	17	Through Bolt Perno Boulon	Steel Acero Acier
2	Impeller Impulsor Roue	SS304 Inox 304	10	Wound Stator/Rotor Estator/Rotor Stator/Rotor	Silicon/Copper Silicio/Cobre Silicium/Cuivre	18	Terminal Box Caja Bornas Boîte Bornes	Aluminum Aluminio Aluminium
3	Mechanical Seal Cierre Mecánico Sceller	SiC/Carbon/SS304 SiC/Grafito/Inox304 SiC/Carbon/Inox304	11	Motor Case Cuerpo Motor Boîtier Moteur	Aluminum Aluminio Aluminium	19	Terminal Board Tablero Bornas Bornier	Plastic Plástico Plastique
4	Baffle plate Placa de baffle Plaque chicane	SS304 Inox 304	12	Support Foot Soporte Pie Pied support	Plastic Plástico Plastique	20	Impeller Key Chaveta Clé	Iron Hierro Le fer
5	O-ring Junta Tórica Joint Torique	Rubber Caucho Caoutchouc	13	Back Cover Tapa Trasera Capot Arrière	Cast iron Fundición Fonte	21	Water Deflector Deflector Déflecteur	Rubber Caucho Caoutchouc
6	Connection Conexión Lien	Cast iron Fundición Fonte	14	Reinforced Seal Sello Reforzado Sceller	Rubber Caucho Caoutchouc	22	Impeller Nut Nuez Noix	Galvanized Steel Acero Galvanizado Acier Galvanisé
7	Shaft Eje Arbre	SS304 Inox 304	15	Fan Cover Tapa Capot Capot	Aluminum Aluminio Aluminium	23	Connection Bolt Perno Boulon de connexion	Steel Acero Acier
8	Reinforced Seal Sello Reforzado Sceller	Rubber Caucho Caoutchouc	16	Fan Ventilador Ventilateur	Plastic Plástico Plastique			

DIMENSIONS AND WEIGHT/DIMENSIONES Y PESOS/DIMENSIONS ET POIDS

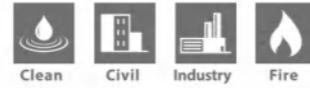


MODEL/MODELO/MODÈLE		DIMENSIONS/DIMENSIONES/DIMENSIONS mm													kg	
Single-phase Monofásico Monophasé	Three-phase Trifásico Triphasé	DN1	DN2	a	f	h	h1	h2	n	n1	n2	w1	w2	s	1~	3~
32-160/11-15	32-160/11-15	50	32	100	493	306	150	156	235	148	175	60	31	15	20.6/23.5	19.6/22.5
32-160/22	32-160/22	50	32	100	493	306	150	156	235	148	175	60	31	15	25.6	24.6
32-200/30	32-200/30-40	50	32	100	538	306	150	156	235	148	175	60	31	15	33.8	32.8/39.5
-	32-200/55	50	32	100	538	306	150	156	235	148	175	60	31	15	-	48.5
40-125/15-22	40-125/15-22	65	40	100	493	306	150	156	235	148	175	60	31	15	21.1/23.7	20.1/22.7
40-160/30	40-160/30-40	65	40	105	542	340	160	180	278	148	175	60	31	15	29	28/35.1
-	40-200/55-75	65	40	105	584	340	160	180	278	148	175	60	31	15	-	48.8/56.2
-	40-200/110	65	40	105	650	340	160	180	235	148	175	60	31	15	-	67.5
50-125/22	50-125/22	65	50	100	428	340	160	180	235	148	175	60	31	15	29.1	28.1
50-125/30	50-125/30-40	65	50	100	493	340	160	180	278	148	175	60	31	15	29.6	28.6/35.2
-	50-160/55-75	65	50	105	584	340	160	180	278	148	175	60	31	15	-	49.1/55.5
-	50-200/92-110	65	50	105	650	365	185	180	278	148	175	60	31	15	-	61.7/67.5
-	50-200/150	65	50	105	768	365	185	180	278	148	175	60	31	15	-	96
-	65-125/40	80	65	100	584	340	160	180	278	148	175	60	31	15	-	40
-	65-125/55-75	80	65	100	584	340	160	180	278	148	175	60	31	15	-	52/58.5
-	65-160/92-110	80	65	113	675	345	160	185	278	148	175	60	31	15	-	67/75.6
-	65-160/150	80	65	113	732	345	160	185	278	148	175	60	31	15	-	93
-	65-200/150-185	80	65	113	793	370	185	185	278	148	175	60	31	15	-	114/127
-	65-200/220	80	65	113	793	370	185	185	278	148	175	60	31	15	-	136
-	80-160/110	100	80	125	700	400	180	220	278	148	175	60	31	15	-	85
-	80-160/150-185	100	80	125	870	400	180	220	278	148	175	60	31	15	-	119/135
-	80-200/220	100	80	125	915	450	200	250	278	148	175	60	31	15	-	185
-	80-200/300-370	100	80	125	985	450	200	250	278	148	175	60	31	15	-	265/285



PSC

Double suction split case pump
Succión doble bomba de cámara partida
Pompe à double corps d'aspiration



NEW/NUEVO/NOUVEAU

DESCRIPTION/DESCRIPCIONES/DESCRIPTION

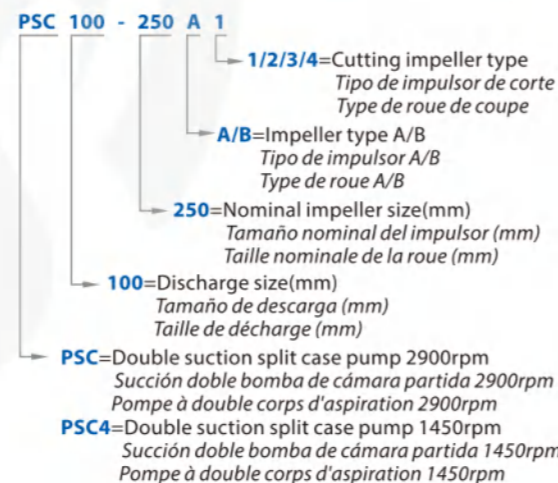
- ◆ Axially split volute pump casing design
 - ◆ Pump case with anti-corrosive coating HT250
 - ◆ Double-entry radial impeller in AISI 304 or HT250
 - ◆ Shaft protecting sleeves in the seal area
 - ◆ Mechanical seal and gland packing are both available
 - ◆ Grease-packed rolling element bearings sealed for life
 - ◆ Reliable complete with motor or diesel for fire fighting etc.
- ◆ Diseño de carcasa de bomba de voluta dividida axialmente
 - ◆ Caja de bomba con recubrimiento anticorrosivo HT250
 - ◆ Impulsor radial de doble entrada en inox304 o HT250
 - ◆ Mangas de protección del eje en el área del sello
 - ◆ El sello mecánico y el empaque de la glándula están disponibles
 - ◆ Rodamientos de elementos rodantes rellenos de grasa
 - ◆ Completamente confiable con motor o diesel para incendios etc.
- ◆ Conception de corps de pompe à volute divisée axialement
 - ◆ Carter de pompe avec revêtement anti-corrosif HT250
 - ◆ Roue radiale à double entrée en inox304 ou HT250
 - ◆ Manchons de protection d'arbre dans la zone d'étanchéité
 - ◆ Le joint mécanique et le presse-étoupe sont disponibles
 - ◆ Roulements d'éléments roulants graissés scellés à vie
 - ◆ Fiable complet avec moteur ou diesel pour la lutte l'incendie etc.

USING LIMITS/LÍMITES UTILIZACIÓN/UTILISATION LIMITES

- ◆ Liquid temperature between **-10°C** and **+120°C**
 - ◆ Ambient temperature between **0°C** and **+50°C**
 - ◆ Max. working pressure **25 bar/Continuo S1**
- ◆ Temperatura del líquido de **-10 °C** hasta **+120 °C**
 - ◆ Temperatura ambiente de **0 °C** hasta **+50 °C**
 - ◆ Presión máxima **25 bar/Continuo S1**
- ◆ Température du liquide entre **-10 °C** et **+120 °C**
 - ◆ Température ambiante entre **0 °C** et **+50 °C**
 - ◆ Max. pression de service **25 bar/Continu S1**

MODEL CODE/CÓDIGO MODELO/CODE MODÈLE

For example/Par ejemplo/Par exemple



TECHNICAL DATA/DATOS TÉCNICOS/DONNÉES TECHNIQUES

PSC4 50Hz n=1450 r/min

MODEL MODELO MODÈLE	Flow Range Rango de Caudal Gamme de débit m³/h	Head Range Rango de Altura Gamme de tête m	Power Range Rango de Potencia Gamme de puissance kw	DN mm
80-210A1	131-164-197	60.5-55-50	26.8-29.9-33.4	125x80
80-210A2	121-151-181	52-47.5-42.2	21.6-24.1-26.1	125x80
80-210A3	115-144-173	44-39-35	17.8-19-21.1	125x80
80-210A4	110-137-164	37-33.5-27.7	14.7-16-16.7	125x80
80-210B1	107-134-160	55.5-51-46	20.5-22.9-25.1	125x80
80-210B2	106-133-159	47.7-43.5-37	17.6-19.3-20	125x80
80-210B3	100-124-149	40-36-30	14.4-15.6-16.5	125x80
80-210B4	91-113-136	35-31-27	12.1-12.9-13.9	125x80
80-270A1	166-207-248	97.5-90-79	57-64.6-70.8	125x80
80-270A2	156-194-233	83.5-77-69	46.6-52.6-58.1	125x80
80-270A3	147-184-220	70-63.5-55	37.5-41.8-44.6	125x80
80-270A4	138-173-198	56.5-50-45	28.7-31.4-32.8	125x80
80-270B1	137-171-205	91-82.5-72.5	44.6-49.9-54.1	125x80
80-270B2	122-153-184	79.5-71.5-67	35.6-39.1-44.7	125x80
80-270B3	115-144-173	66.8-60-53	28.5-31.3-33.7	125x80
80-270B4	110-137-164	54.5-49-42	22.4-24.5-25.9	125x80
100-250A1	230-288-346	83-75-67	64.2-70.9-78.4	150x100
100-250A2	219-274-328	69-63-55	51.9-58.3-62.3	150x100
100-250A3	209-261-313	59-52-46.5	43.5-46.8-51.5	150x100
100-250A4	193-240-290	49-45-37	33.9-37.7-39.2	150x100
100-250B1	196-245-294	75-68-59	50-55.6-59.8	150x100
100-250B2	180-223-268	65-59-51	40.6-44.7-47.9	150x100
100-250B3	165-205-246	56-51-44	32.9-36.8-38.8	150x100
100-250B4	150-190-227	48-43-38	26.4-29.1-31.1	150x100
100-310A1	294-367-440	135-123-105	137.7-153.8-164	150x100
100-310A2	268-335-402	116-106-92	108-121.4-131	150x100
100-310A3	242-302-363	98-90-80	82.7-93.5-102.5	150x100
100-310A4	182-227-333	86-81-63	62-68-76	150x100
100-310B1	226-283-340	130-119-105	105-117.4-128.5	150x100
100-310B2	208-260-310	111-103-90	81.8-93.7-100	150x100
100-310B3	200-250-300	92-84-74	65.8-72.8-80.5	150x100
100-310B4	187-234-281	78-69-60	53.1-57.1-61.2	150x100
125-230A1	426-541-639	68-60-48	93.8-101.8-101.9	200x125
125-230A2	392-490-585	60-52-43.5	78.1-82.1-84.4	200x125
125-230A3	363-454-544	50-43.5-35	63.4-65.1-66.6	200x125
125-230A4	340-425-489	40-34-30	49.4-50.8-52.5	200x125
125-230B1	377-472-566	68-60.5-51	84.2-92-101.5	200x125
125-230B2	349-436-523	60-53-44	70.3-74.8-77.2	200x125
125-230B3	328-410-493	52-45-37	60.1-61.3-63.3	200x125
125-230B4	305-382-458	42.5-37-30	47.1-49.9-49.9	200x125
125-290A1	428-535-642	117-108-95	166-187-202	200x125
125-290A2	397-497-596	97-88-75	131-145-153	200x125
125-290A3	363-454-544	80-72-62	101-111-117	200x125
125-290A4	323-403-484	65-57-47	74.7-80.2-80.5	200x125
125-290B1	383-480-575	113-100-85.5	145-157-166	200x125
125-290B2	348-436-523	93.5-83.5-70	112-121-126	200x125
125-290B3	308-385-462	78-70-60	84.5-93-96.9	200x125
125-290B4	274-342-410	60-55-47	59.6-67.4-70	200x125

MODEL MODELO MODÈLE	Flow Range Rango de Caudal Gamme de débit m³/h	Head Range Rango de Altura Gamme de tête m	Power Range Rango de Potencia Gamme de puissance kw	DN mm
80-210A1	66-83-100	15-13.8-12.2	3.4-3.8-4.2	125x80
80-210A2	61-76-90	13-11.8-10.5	2.7-3-3.3	125x80
80-210A3	58-72-87	11-9.8-8.7	2.2-2.4-2.6	125x80
80-210A4	55-69-83	9.1-8.2-7	1.8-2-2.1	125x80
80-210B1	52-65-78	14.2-12.8-10	2.6-2.8-3.1	125x80
80-210B2	52-64-77	12-10.8-11.7	2.1-2.4-3.1	125x80
80-210B3	50-61-73	10-9-7.8	1.8-1.9-2	125x80
80-210B4	47-58-70	8.7-7.6-6.5	1.5-1.6-1.8	125x80
80-270A1	83-104-125	24-22.5-19.5	7-8.1-8.8	125x80
80-270A2	80-99-120	21.3-19-17	6.1-6.6-7.4	125x80
80-270A3	72-90-108	17.5-16-13.7	4.6-5.2-5.4	125x80
80-270A4	67-84-100	13.8-13-11.5	3.4-4-4.3	125x80
80-270B1	68-85-102	23.1-20.7-18.2	5.7-6.2-6.7	125x80
80-270B2	61-77-92	20-18.1-16	4.5-5-5.3	125x80
80-270B3	58-72-86	16.5-15-13.2	3.5-3.9-4.2	125x80
80-270B4	53-67-80	13.8-12.5-10.8	2.7-3.1-3.2	125x80
80-370A1	90-113-136	42-38.8-33.5	14.8-16.2-17.3	125x80
80-370A2	80-99-120	35-33-29.1	10.6-12.1-13.3	125x80
80-370A3	70-88-106	29.3-27.5-24.7	8.2-9.4-10.2	125x80
80-370A4	65-81-98	23.8-22.5-20	6.4-7.4-8	125x80
80-370B1	80-99-120	38.8-35.5-31.3	11.8-13.1-14.3	125x80
80-370B2	72-90-108	34.1-30.8-26.3	9.7-10.8-11.4	125x80
80-370B3	60-76-90	27.5-25.5-22.5	7-8-8.5	125x80
80-370B4	53-67-80	21.3-20-17.5	4.9-5.7-6	125x80
100-250A1	115-144-173	21.2-18.8-17.5	8.2-8.9-10	150x100
100-250A2	112-140-167	17.5-15.8-13.2	6.7-7.4-7.7	150x100
100-250A3	100-126-150	14.5-13.5-11.9	5.1-5.9-6.3	150x100
100-250A4	97-120-145	12.2-11.2-9.5	4.2-4.7-5	150x100
100-250B1	98-122-147	18.8-17-15	6.2-7-7.6	150x100
100-250B2	90-112-135	16.3-14.5-12.7	5.1-5.6-6	150x100
100-250B3	85-106-128	13.7-12.5-11.3	4.1-4.7-5.3	150x100
100-250B4	75-94-113	12.1-11-9.6	3.3-3.7-3.9	150x100
100-310A1	148-185-222	34-31-26.8	17.4-19.6-21	150x100
100-310A2	133-166-200	29.3-27-24.3	13.4-15.3-17	150x100
100-310A3	120-151-180	24.8-22.5-20	10.5-11.7-12.8	150x100
100-310A4	112-140-162	20.2-18.5-16.2	7.9-9-9.2	150x100
100-310B1	112-140-168	32.5-29.5-25	13-14.1-15.5	150x100
100-310B2	106-133-160	27.5-25.5-22	10.4-11.6-12.8	150x100
100-310B3	100-124-150	23-21.2-18	8.2-9-9.8	150x100
100-310B4	94-117-140	19.4-17-15	6.5-6.9-7.6	150x100
100-375A1	148-185-220	57-51-44.2	31.4-33.5-36	150x100
100-375A2	133-167-200	47.3-46-38	24.5-28.3-29.2	150x100
100-375A3	124-155-186	41-38-31	20.3-22.6-23.1	150x100
100-375A4	108-135-162	32.5-30.3-25.3	14.4-14.5-16.8	150x100
100-375B1	130-162-195	56.2-52-45.8	28.4-31.4-35.9	150x100
100-375B2	114-142-170	47.5-44-39	22.2-23.7-27.3	150x100
100-375B3	105-130-157	40-37.5-32.5	17.7-18.8-21.7	150x100
100-375B4	92-115-138	30.8-28.7-25	12.7-14.3-15.4	150x100

TECHNICAL DATA/DATOS TÉCNICOS/DONNÉES TECHNIQUES

PSC4 50Hz n=1450 r/min

MODEL MODELO MODÈLE	Flow Range Rango de Caudal Gamme de débit	Head Range Rango de Altura Gamme de tête	Power Range Rango de Potencia Gamme de puissance	DN
	m ³ /h	m	kw	mm
125-230A1	220-274-328	17-14.8-12	12.1-12.9-13.1	200x125
125-230A2	193-241-290	15-13.2-10.8	9.7-10.3-10.4	200x125
125-230A3	184-230-277	12.6-10.6-8	8-8.1-8.1	200x125
125-230A4	167-209-250	10.3-8.7-6.8	6.4-6.4-6.4	200x125
125-230B1	190-238-307	17-15.1-11.5	10.5-11.6-12	200x125
125-230B2	170-212-255	15-13.5-11.4	8.6-9.3-9.7	200x125
125-230B3	164-205-246	13-11.5-9.2	7.5-7.8-7.9	200x125
125-230B4	156-195-223	10.5-9.1-7.7	5.9-6.2-6.3	200x125
125-290A1	215-269-323	29.2-27-23.5	20.8-23.6-25.2	200x125
125-290A2	195-243-292	24.4-22-19.6	16.1-17.8-19.5	200x125
125-290A3	178-223-268	20-18-15.5	12.3-13.7-14.4	200x125
125-290A4	161-202-242	16.3-14.2-11.8	9.3-10-10.2	200x125
125-290B1	193-241-290	27.5-25-21.3	17.8-19.8-20.6	200x125
125-290B2	174-218-261	23.4-21-17.5	13.9-15.2-16	200x125
125-290B3	157-196-235	19-17.5-15	10.4-11.8-12.3	200x125
125-290B4	138-173-207	15.1-13.7-11.3	7.7-8.5-8.6	200x125
125-365A1	245-310-360	50-47-44	41.2-47.2-52.3	200x125
125-365A2	225-281-337	41.6-39-35.6	31.8-36-40.4	200x125
125-365A3	205-256-307	33.7-31.5-28.2	24.2-26.8-29.8	200x125
125-365A4	184-230-278	25.5-24-20.9	16.9-18.8-20.2	200x125
125-365B1	222-277-333	46.3-43-38.8	35.4-40.1-44	200x125
125-365B2	202-252-302	39.8-37-32.8	28-31.8-34.2	200x125
125-365B3	182-227-272	32.6-30.5-27.5	21.4-24.5-26.8	200x125
125-365B4	158-198-238	26.3-24.5-21.8	14.9-17.4-18.8	200x125
125-500A1	262-328-393	82-76-70	73.7-82.7-96.4	200x125
125-500A2	233-292-342	70-66.5-62	56.7-67.3-74.8	200x125
125-500A3	205-256-307	60-56-51.5	44-50.6-56.6	200x125
125-500A4	184-230-252	50-47-45	34.2-38.8-40.7	200x125
125-500B1	235-293-352	75-69.5-63	61.7-70.3-78.5	200x125
125-500B2	217-272-326	65-60.5-55	50.1-57.4-64.3	200x125
125-500B3	181-227-272	57-53-48.3	37.5-42.5-47.3	200x125
125-500B4	161-202-234	47.5-45-40	28.2-32.5-34.5	200x125
150-290A1	354-443-531	24-21-17.5	27.1-29.1-30.3	200x150
150-290A2	323-403-484	21-18-15	22.2-23-24	200x150
150-290A3	302-378-454	17.5-15-12.3	18-18.4-19.1	200x150
150-290A4	280-350-396	13.7-11.5-10	13.9-14.2-14.2	200x150
150-290B1	317-396-475	23.4-20.4-16.6	24-25.6-25.7	200x150
150-290B2	302-378-454	20-17-13.7	19.9-20.6-20.7	200x150
150-290B3	282-353-423	17.5-14.5-11.3	16.6-16.6-16.5	200x150
150-290B4	265-331-378	14-11.5-9.8	13-13-13.3	200x150
150-360A1	357-446-536	41.3-38-34.2	48.4-54.3-60.4	200x150
150-360A2	323-403-484	34.2-31-26.3	36.9-41-42.9	200x150
150-360A3	298-370-445	28.7-25-21	29.4-31.2-32.3	200x150
150-360A4	265-331-398	23.4-20-16.7	22.1-23.1-23.3	200x150
150-360B1	325-407-488	39.2-35-30	42.3-46.2-49.3	200x150
150-360B2	294-367-440	33-29.5-25	32.8-36-37.5	200x150
150-360B3	267-334-400	27.5-25-21.3	25.4-28.5-29.8	200x150
150-360B4	233-292-350	22.8-20.5-17.5	19.2-20.9-22	200x150
150-460A1	412-515-618	71-66-60	99.4-112.8-126.2	200x150
150-460A2	377-472-566	58-54.5-48	75.2-86.4-94.9	200x150
150-460A3	346-432-516	47.5-43.5-37	57-64-69.7	200x150
150-460A4	317-396-475	38-35-28.2	42.6-48.1-50.7	200x150
150-460B1	350-440-527	65-60-53.5	78.3-88.6-97.6	200x150
150-460B2	323-403-484	54-50-44.5	60.3-68.2-75.2	200x150
150-460B3	300-375-450	44.4-40-34.5	46.5-51-57.1	200x150
150-460B4	260-324-390	35.5-33-28.4	33.5-37.3-40.7	200x150
150-605A1	467-583-700	112-105-95.5	182.6-206-233.4	200x150
150-605A2	440-550-648	96-88.5-81	151.1-168-187.5	200x150
150-605A3	412-515-605	82-75-68	120-134.8-151.4	200x150
150-605A4	378-472-526	67.5-61.5-55.2	92.3-102.6-106.8	200x150

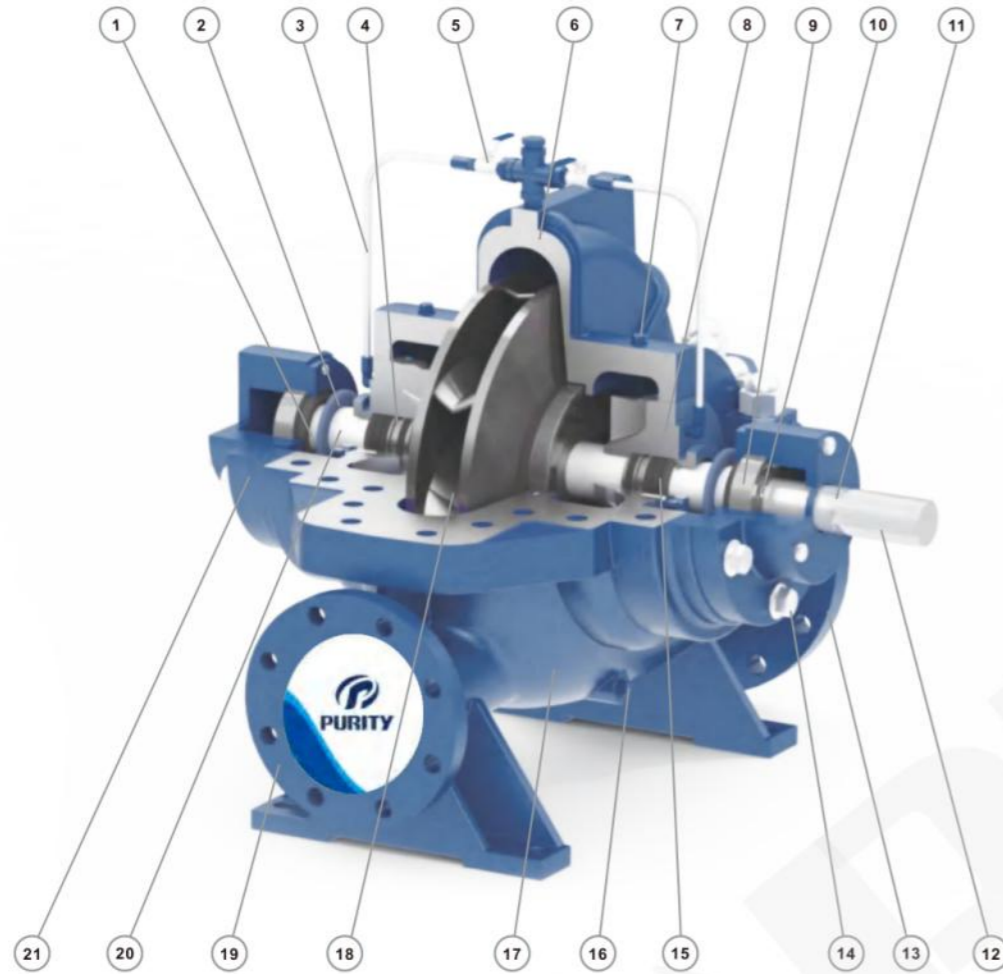
MODEL MODELO MODÈLE	Flow Range Rango de Caudal Gamme de débit	Head Range Rango de Altura Gamme de tête	Power Range Rango de Potencia Gamme de puissance	DN
	m ³ /h	m	kw	mm
150-605B1	430-536-617	98-90-82	149.2-166.4-181.5	200x150
150-605B2	392-490-576	85-78-70	118.9-133.3-148.1	200x150
150-605B3	357-446-535	75-68.5-60	96.2-108.2-118.4	200x150
150-605B4	323-403-484	62.5-57.5-50	73.4-83.1-91.6	200x150
200-320A1	556-695-834	34-30-25	60-64.9-67.2	250x200
200-320A2	518-648-778	29-25.5-21.3	48.8-52-54	250x200
200-320A3	481-601-720	25-21.3-17.2	40.7-41-42.3	250x200
200-320A4	440-550-612	18.9-17-15.3	29-32.3-32.9	250x200
200-320B1	510-637-765	32.3-28-23.4	52.7-56.2-58	250x200
200-320B2	475-594-713	28.5-24.5-20	44-46.1-46.9	250x200
200-320B3	445-558-670	23.8-21-17.2	35.6-38-38.4	250x200
200-320B4	412-515-595	20-17-14.2	28.8-29.1-29.5	250x200
200-420A1	567-709-850	57-52-47	104-116-129	250x200
200-420A2	504-630-756	47.5-42.5-37.5	79.1-86.3-93.1	250x200
200-420A3	458-572-687	40-35.5-30	62-66.7-68.8	250x200
200-420A4	409-511-613	32.5-27.5-24	45.8-49-50.1	250x200
200-420B1	518-648-778	54-48.5-42	90.8-99.1-107	250x200
200-420B2	467-583-700	45-40.5-35	69.8-76.6-81.9	250x200
200-420B3	423-530-635	38-34.5-29	54.8-60.6-63.1	250x200
200-420B4	375-468-562	31.5-28-24	41.5-45.8-47.5	250x200
200-520A1	654-817-980	97-91-83	210-241-272	250x200
200-520A2	605-756-907	82.5-76.5-70	170-192-215	250x200
200-520A3	565-706-847	67-62.5-55	132-148-163	250x200
200-520A4	518-647-778	52.3-47.5-42	98-107-117	250x200
200-520B1	558-734-880	88-81.7-73.2	175-197-219	250x200
200-520B2	556-695-834	74-68-60	141-159-172	250x200
200-520B3	524-655-786	60-55-48.8	109-123-134	250x200
200-520B4	478-598-717	48-43.5-38	81-91-98	250x200
200-670A1	634-792-936	157.5-150-140	350-404-457	250x200
200-670A2	596-745-894	134.5-127-114.5	285-328-367	250x200
200-670A3	562-702-842	114.5-107-95.5	231-266-293	250x200
200-670A4	527-659-770	95.5-88-80	183-208-227	250x200
200-670B1	576-720-864	142-132.5-120	289-329-372	250x200
200-670B2	530-662-795	123-114.5-104	231-263-296	250x200
200-670B3	493-616-720	106-98.5-90	187-212-232	250x200
200-670B4	455-569-683	90-83-73	149-167-184	250x200
250-370A1	840-1051-1260	44-39-33.5	118-127-137	300x250
250-370A2	795-994-1192	37.5-33-27.7	99-104-109	300x250
250-370A3	755-943-1131	31.5-27-21	83-83.6-83.6	300x250
250-370A4	756-871-1008	23-20-16	62.3-61.2-57.8	300x250
250-370B1	823-1029-1235	42.3-37-31	112-119-124	300x250
250-370B2	775-968-1162	37-32-27	94.9-98.1-103.6	300x250
250-370B3	732-914-1097	32-27-22	79.7-80-82.2	300x250
250-370B4	680-850-1020	25.6-22-17	61.6-62.1-61.3	300x250
250-480A1	938-1173-1408	73.5-66-58	222-239-262	300x250
250-480A2	864-1080-1296	60.5-55-47.5	166-188-202	300x250
250-480A3	800-1000-1200	50-45.5-38	136-149-160	300x250
250-480A4	743-929-1115	42-37.5-32	110-119-126	300x250
250-480B1	864-1044-1296	62-55.5-45	177-191-199	300x250
250-480B2	780-976-1171	53.5-47-42	141-149-163	300x250
250-480B3	708-886-1063	45-40.5-34	111-121-126	300x250
250-480B4	642-803-963	40-34.5-28.5	94.6-96.1-98.4	300x250
250-600A1	994-1242-1490	126-116-105	411-467-520	300x250
250-600A2	933-1166-1400	108-100-90	333-380-421	300x250
250-600A3	867-1084-1300	90-83-73.5	262-295-322	300x250
250-600A4	800-1000-1200	74-66-60	201-218-244	300x250
250-600B1	835-1044-1253	114-104-91.5	320-356-381	300x250
250-600B2	772-965-1158	98-90-80	255-287-311	300x250
250-600B3	700-875-1050	80.3-74.5-66	192-218-235	300x250
250-600B4	640-800-960	67.5-62-56.5	149-168-186	300x250

TECHNICAL DATA/DATOS TÉCNICOS/DONNÉES TECHNIQUES

PSC4 50Hz n=1450 r/min

MODEL MODELO MODÈLE	Flow Range Rango de Caudal Gamme de débit	Head Range Rango de Altura Gamme de tête	Power Range Rango de Potencia Gamme de puissance	DN
	m ³ /h	m	kw	mm
250-800A1	904-1130-1356	184-175-164	579-674-775	300x250
250-800A2	782-978-1174	161-152-141	444-513-578	300x250
250-800A3	738-922-1106	136-128-118	358-415-465	300x250
250-800A4	692-865-1038	113-106-99	280-325-360	300x250
300-300A1	878-1098-1318	28.8-24.5-20	83.8-85.2-89.4	350x300
300-300A2	835-1044-1253	23.5-19.8-15	66.4-66.6-63.2	350x300
300-300A3	806-1008-1210	19-15.5-11.4	52.8-51.9-48.2	350x300
300-300A4	772-965-1158	15-11.5-7.5	41.5-37.8-32	350x300
300-300B1	745-936-1123	26.2-23-20	64.4-69-72.9	350x300
300-300B2	691-864-1037	24-20-15.8	56.2-56-55.1	350x300
300-300B3	639-800-960	20-16.7-13.5	45.5-44.9-44.6	350x300
300-300B4	560-700-840	17.5-15-12	37.1-37.1-36.1	350x300
300-435A1	1342-1677-2012	60-53-46	257-275-295	400x300
300-435A2	1262-1577-1892	52-45-37.5	213-223-230	400x300
300-435A3	1181-1476-1771	42.5-36.5-28.5	171-175-172	400x300
300-435A4	1088-1360-1530	33.8-27.5-24	132-129-128	400x300
300-435B1	1396-1620-1944	57.5-51.5-43.5	240-260-273	400x300
300-435B2	1215-1519-1823	51.5-45-37.5	206-215-222	400x300
300-435B3	1138-1422-1706	43.5-37.5-30	168-173-174	400x300
300-435B4	1066-1332-1598	35-30.5-24.8	130-136-138	400x300
300-560A1	1397-1745-2095	101.5-94-83.5	454-520-570	400x300
300-560A2	1316-1645-1974	83.5-76-67	357-398-433	400x300
300-560A3	1258-1573-1888	68-63-54		

MATERIAL DESCRIPTION/DESCRIPCIÓN DE MATERIAL/DESCRIPTION DU MATÉRIEL

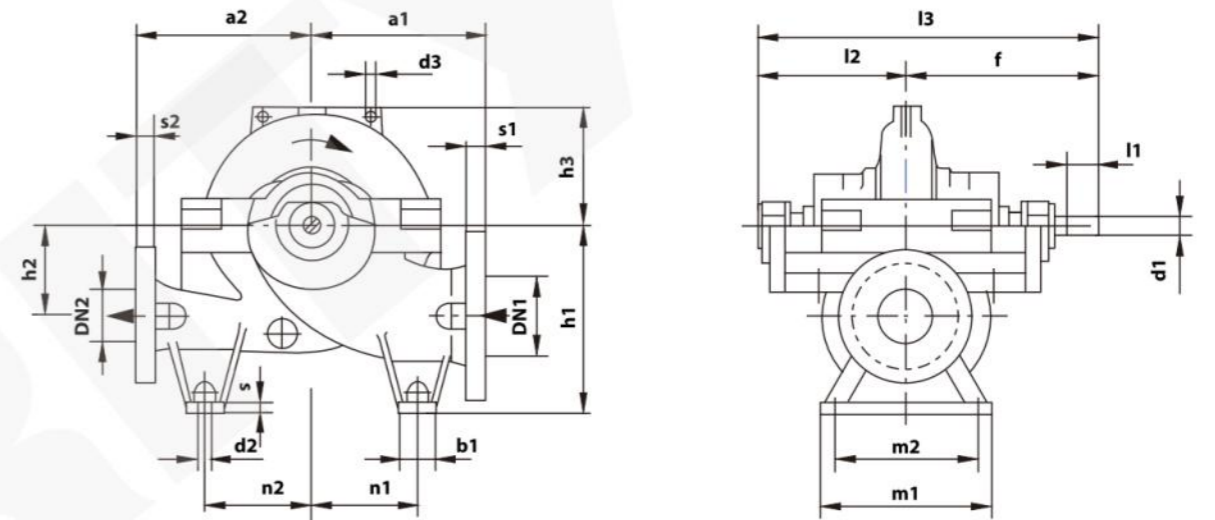


No.	Description Descripción	Material Matériel
1	Block ring Anillo de bloqueo Bague bloc	Rubber Caucho Caoutchouc
2	O-ring Junta tórica Joint torique	Rubber Caucho Caoutchouc
3	Flushing pipe Tubo de enjuague Tuyau de rinçage	SS304 Inox 304 Inox 304
4	Packing ring Arandela Anneau d'emballage	Carbon Grafito Carbon
5	Valve Valva Soupape	Brass Bronce Laiton
6	Pump cover Tapa de bomba Couvercle de pompe	Cast iron Fundición Fonte
7	Vent plug Enchufe de ventilación Bouchon d'aération	Brass Bronce Laiton

No.	Description Descripción	Material Matériel
8	Seal house Casa de sello Maison du phoque	Cast iron Fundición Fonte
9	Bearing Rodamiento Palier	Ball Bearing Bola Rodamiento Palier Balle
10	Lock washer Arandela de bloquear Rondelle frein	Steel Acero Acier
11	Shaft Eje Arbre	SS304/45# Steel Inox 304/45# Hierro Inox304-Acier
12	Shaft Key Chaveta Eje Clé d'arbre	Iron Hierro Le fer
13	Input flange Brida de entrada Bride d'entrée	Cast iron Fundición Fonte
14	Bolt Perno Boulon	Steel Acero Acier

No.	Description Descripción	Material Matériel
15	Gland seal(Mechanical Seal) Sello glándula(Cierre Mecánico) Joint étoupe (Joint mécanique)	Synthepak(SIC-Carbon) Synthepak(SIC-Grafito) Synthepak (SIC-Carbon)
16	Release Valve Tapón Cebado Soupape de décharge	Brass Bronce Laiton
17	Pump Case Cuerpo de Bomba Boîtier de pompe	Cast iron Fundición Fonte
18	Impeller Impulsor Roue	SS304/Cast iron Inox 304/Fundición Inox 304/Fonte
19	Output flange Brida de salida Bride de sortie	Cast iron Fundición Fonte
20	Shaft sleeve Manga de eje Manchon d'arbre	SS304 Inox 304 Inox 304
21	Bearing house Casa de rodamiento Maison de roulement	Cast iron Fundición Fonte

DIMENSIONS AND WEIGHT/DIMENSIONES Y PESOS/DIMENSIONS ET POIDS



MODEL MODELO MODÈLE	DIMENSIONS/DIMENSIONES/DIMENSIONS mm																				kgs		
	DN1	DN2	s1	s2	a1	a2	d3	f	h1	h2	h3	l2	l3	b1	d2	m1	m2	n1	n2	s		d1	l1
80-210	125	80	34	29	300	300	19	415	315	140	168	300	715	70	17.5	320	270	170	170	20	35	80	185
80-270	125	80	34	29	300	300	19	415	315	140	190	300	715	70	17.5	320	270	170	170	20	35	80	195
80-370	125	80	34	29	330	330	19	415	315	140	225	300	715	70	17.5	320	270	170	170	20	35	80	205
100-250	150	100	37	32	330	330	19	415	355	170	195	300	715	70	17.5	320	270	200	200	20	35	80	210
100-310	150	100	37	32	330	330	19	415	355	170	225	300	715	70	17.5	320	270	200	200	20	35	80	225
100-375	150	100	37	32	370	370	19	415	355	170	260	300	715	70	17.5	320	270	200	200	20	35	80	245
125-230	200	125	41	35	370	370	19	515	400	200	210	366	881	70	17.5	390	340	225	225	20	45	100	250
125-290	200	125	41	35	370	370	19	515	400	200	230	366	881	70	17.5	390	340	225	225	20	45	100	275
125-365	200	125	41	35	370	370	19	515	400	200	260	366	881	70	17.5	390	340	225	225	20	45	100	300
125-500	200	125	41	35	450	450	19	515	400	200	305	366	881	70	17.5	390	340	280	280	20	45	100	335
150-290	200	150	41	37	400	400	19	515	400	200	245	366	881	70	17.5	390	340	225	225	20	45	100	350
150-360	200	150	41	37	400	400	19	515	400	200	265	366	881	70	17.5	390	340	225	225	20	45	100	360
150-460	200	150	41	37	450	450	19	590	400	200	305	399	989	70	17.5	480	430	280	280	20	55	125	440
150-605	200	150	41	37	600	500	19	590	500	300	370	399	989	70	17.5	480	430	350	380	20	55	125	650
200-320	250	200	48	41	450	450	24.5	590	500	240	285	399	989	70	17.5	480	430	280	280	20	55	125	450
200-420	250	200	48	41	500	500	24.5	590	500	240	310	399	989	70	17.5	480	430	280	280	20	55	125	520
200-520	250	200	48	41	600	500	24.5	655	560	300	370	464	1119	70	22	480	400	350	350	26	65	140	840
200-670	250	200	48	41	650	550	24.5	655	600	350	430	464	1119	100	22	480	400	350	350	26	65	140	990
250-370	300	250	33	32	500	500	12.5	655	600	300	320	464	1119	100	22	480	400	350	350	26	65	140	665
250-480	300	250	51	48	550	550	12.5	730	600	300	355	515	1245	100	22	600	520	350	350	26	75	160	830
250-600	300	250	51	48	650	550	12.5	730	630	350	415	515	1245	100	22	600	520	350	350	26	75	160	1215
300-300	350	300	36	33	550	500	24.5	655	630	300	360	464	1119	100	22	480	400	350	350	26	65	140	630
300-435	400	300	38	33	650	550	24.5	730	670	350	365	515	1245	100	22	600	520	350	350	26	75	160	905
300-560	400	300	57	51	700	650	24.5	810	710	350	430	585	1395	100	22	600	520	475	475	26	85	180	1425
300-700	400	300	57	51	750	650	24.5	810	750	400	480	585	1395	100	22	600	520	475	475	26	85	180	1690
350-360	400	350	38	36	650	550	24.5	730	670	350	410	515	1245	100	22	600	520	350	350	26	75	160	865
350-430	450	350	41	36	750	650	24.5	810	750	400	465	585	1395	100	22	600	520	475	475	26	85	180	1285
350-510	400	350	38	36	700	650	24.5	810	750	400	420	585	1395	100	22	600	520	475	475	26	85	180	1395



PXZ

Self-priming centrifugal pump
Bomba centrífuga autocebante
Pompe centrifuge auto-amorçante



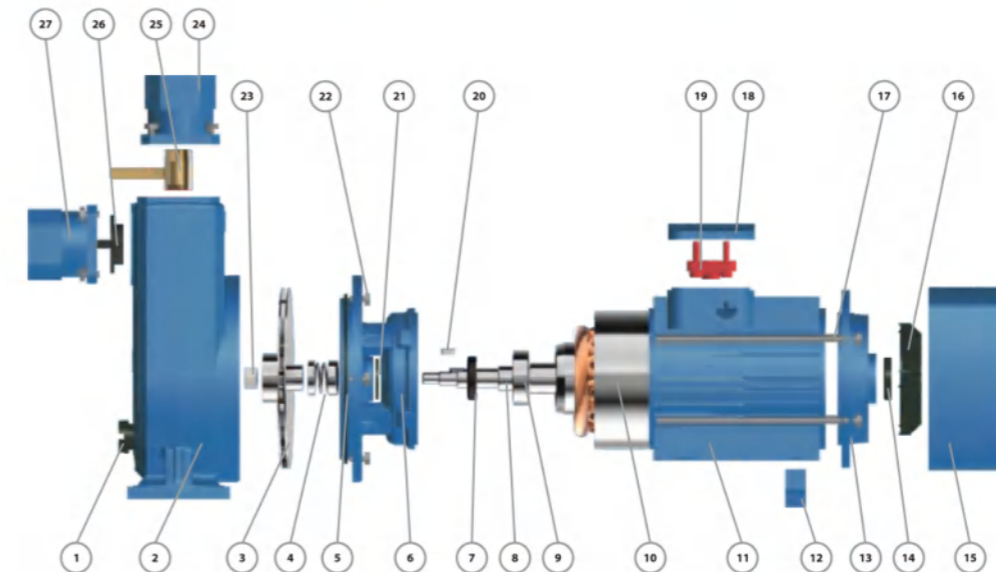
TECHNICAL DATA/DATOS TÉCNICOS/DONNÉES TECHNIQUES

50Hz n=2900 r/min

MODEL MODELO MODÈLE	Power Potencia/Puissance		Max Q m³/h	Max H m	Rated Q m³/h	Rated H m	Suction H m	RPM	Impeller Impulsor Roue	DN mm
	kw	hp								
PXZ15-30-1.5	1.5	2	15	30	8	23	8	3000	SS304 / inox304 / inox304	40
PXZ(D)15-30-1.5	1.5	2	15	30	8	23	8	3000	SS304 / inox304 / inox304	40
PXZ18-28-1.5	1.5	2	18	28	10	20	8	3000	SS304 / inox304 / inox304	50
PXZ(D)18-28-1.5	1.5	2	18	28	10	20	8	3000	SS304 / inox304 / inox304	50
PXZ18-35-2.2	2.2	3	18	35	10	25	8	3000	SS304 / inox304 / inox304	40
PXZ(D)18-35-2.2	2.2	3	18	35	10	25	8	3000	SS304 / inox304 / inox304	40
PXZ20-32-2.2	2.2	3	20	32	12	22	8	3000	SS304 / inox304 / inox304	50
PXZ(D)20-32-2.2	2.2	3	20	32	12	22	8	3000	SS304 / inox304 / inox304	50
PXZ22-40-3	3	4	22	40	12	28	8	3000	SS304 / inox304 / inox304	50
PXZ(D)22-40-3	3	4	22	40	12	28	8	3000	SS304 / inox304 / inox304	50
PXZ25-45-4	4	5.5	25	45	15	30	8	3000	SS304 / inox304 / inox304	50
PXZW15-25-1.5	1.5	2	15	25	10	18	8	3000	Cast iron / Fundicion / Fonte	50
PXZW(D)15-25-1.5	1.5	2	15	25	10	18	8	3000	Cast iron / Fundicion / Fonte	50
PXZW18-30-2.2	2.2	3	18	30	10	20	8	3000	Cast iron / Fundicion / Fonte	50
PXZW(D)18-30-2.2	2.2	3	18	30	10	20	8	3000	Cast iron / Fundicion / Fonte	50
PXZW25-35-3	3	4	25	35	12	22	8	3000	Cast iron / Fundicion / Fonte	50
PXZW(D)25-35-3	3	4	25	35	12	22	8	3000	Cast iron / Fundicion / Fonte	50
PXZW28-38-4	4	5.5	28	38	15	25	8	3000	Cast iron / Fundicion / Fonte	50

W=Sewage water available/Agua sucia disponible/Eaux usées disponibles

MATERIAL DESCRIPTION/DESCRIPCIÓN DE MATERIAL/DESCRIPTION DU MATÉRIEL



NEW/NUEVO/NOUVEAU

DESCRIPTION/DESCRIPCIONES/DESCRIPTION

- ◆ New self-priming centrifugal pump design
 - ◆ Original design by PURITY (patented no. 201530016935.4)
 - ◆ YE3 high efficient motor, with protection IP55 class F
 - ◆ Pump case with anti-corrosive coating
 - ◆ Impeller in stainless steel AISI 304 or cast iron
 - ◆ Suction and discharge port in G20 thread
 - ◆ Quality NSK bearing, wear resistance mechanical seal
- ◆ Nuevo diseño de bomba centrífuga autocebante
 - ◆ Diseño original de PURITY (patentado no. 201530016935.4)
 - ◆ Motor de alta eficiencia YE3, con protección IP55 clase F
 - ◆ Caja de bomba con revestimiento anticorrosivo
 - ◆ Impulsor en acero inoxidable 304 o hierro fundido
 - ◆ Puerto de succión y descarga en rosca G20
 - ◆ Rodamiento de marca NSK y cierre mecánico personalizado
- ◆ Nouvelle conception de pompe centrifuge auto-amorçante
 - ◆ Design original par PURITY (breveté no. 201530016935.4)
 - ◆ Moteur haute efficacité YE3, avec protection IP55 classe F
 - ◆ Boîtier de pompe avec revêtement anti-corrosif
 - ◆ Roue en acier inoxydable 304 ou en fonte
 - ◆ Orifice d'aspiration et de refoulement en filetage G20
 - ◆ Roulement NSK qualité, joint mécanique de résistance à l'usure

APPLICATIONS/APLICACIONES/APPLICATIONS

- ◆ Suitable for use with liquids that are not chemically aggressive towards the materials from which the pump is made. The self-priming centrifugal pumps are recommended for use in water supply systems, washing systems, pressure systems, irrigation pumps, liquids transfer.
- ◆ Adecuado para usar con líquidos que no son químicamente agresivos con los materiales de los que está hecha la bomba. Las bombas centrífugas autocebantes se recomiendan para su uso en sistemas de suministro de agua, sistemas de lavado, sistemas de presión, bombas de riego, transferencia de líquidos.
- ◆ Convient pour une utilisation avec des liquides qui ne sont pas chimiquement agressifs envers les matériaux à partir desquels la pompe est fabriquée. Les pompes centrifuges auto-amorçantes sont recommandées pour une utilisation dans les systèmes d'alimentation en eau, les systèmes de lavage, les systèmes de pression, les pompes d'irrigation, le transfert de liquides.

USING LIMITS/LÍMITES UTILIZACIÓN/UTILISATION LIMITES

- ◆ Liquid temperature between **-10°C** and **+120°C**
- ◆ Ambient temperature up to **+50°C**
- ◆ Max. working pressure **16 bar**
- ◆ Continuous service **S1**
- ◆ Temperatura del líquido de **-10 °C** hasta **+120 °C**
- ◆ Temperatura ambiente hasta **+50 °C**
- ◆ Presión máxima en el cuerpo de la bomba **16 bar**
- ◆ Funcionamiento continuo **S1**
- ◆ Température du liquide entre **-10 °C** et **+120 °C**
- ◆ Température ambiante jusqu'à **+50 °C**
- ◆ Max. pression de service **16 bar**
- ◆ Service continu **S1**

No.	Description Descripción Description	Material Material Matériel	No.	Description Descripción Description	Material Material Matériel	No.	Description Descripción Description	Material Material Matériel
1	Release Valve Tapon Cebado Soupape de décharge	Plastic Plástico Plastique	10	Wound Stator/Rotor Estator/Rotor Stator/Rotor	Silicon Steel/Copper Silicio-Cobre Silicium-Cuivre	19	Terminal Board Tablero Bornas Bornier	Plastic Plástico Plastique
2	Pump Case Cuerpo de Bomba Boîtier de pompe	Cast iron Fundición Fonte	11	Motor Case Cuerpo Motor Boîtier Moteur	Aluminum Aluminio Aluminium	20	Impeller Key Chaveta Clé	Iron Hierro Le fer
3	Impeller Impulsor Roue	SS304/Cast iron Inox 304/Fundición Inox 304/Fonte	12	Support Foot Soporte Pie Pied support	Plastic Plástico Plastique	21	Water Deflector Deflector Déflecteur	Rubber Caucho Caoutchouc
4	Mechanical Seal Cierre Mecánico Sceller	SiC/Carbon/SS304 SiC/Grafito/Inox304 SiC/Carbon/Inox304	13	Back Cover Tapa Trasera Capot Arrière	Cast iron Fundición Fonte	22	Connection Bolt Perno Boulon de connexion	Steel Acero Acier
5	O-ring Junta Toricar Joint Torique	Rubber Caucho Caoutchouc	14	Reinforced Seal Sello Reforzado Sceller	Rubber Caucho Caoutchouc	23	Impeller Nut Nuez Noix	Galvanized Steel Acero Galvanizado Acier Galvanisé
6	Connection Conexión	Cast iron Fundición Fonte	15	Fan Cover Tapa Capot	Aluminum Aluminio Aluminium	24	Discharge Descarga Décharge	Cast iron Fundición Fonte
7	Reinforced Seal Sello Reforzado Sceller	Rubber Caucho Caoutchouc	16	Fan Ventilador Ventilateur	Plastic Plástico Plastique	25	Ball Valve Válvula Bola Vanne à bille	Brass Bronce Laiton
8	Shaft Eje Arbre	SS304-45# Steel Inox 304-Hierro Inox304-Acier	17	Through Bolt Perno Boulon	Steel Acero Acier	26	Check Valve Válvula Retención Clapet anti-retour	Brass Bronce Laiton
9	Bearing Rodamiento Palier	Ball Bearing Bola Rodamiento Palier Balle	18	Terminal Box Caja Bornas Boîte Bornes	Aluminum Aluminio Aluminium	27	Suction Succión Suction	Cast iron Fundición Fonte



GENERAL SALES CONDITIONS

1) ORDERS: Any order sent to us, whether by our representatives or by letter, telephone or fax, will be considered definite only after our regular acceptance in writing. 2) DELIVERY: The terms indicated for delivery are not binding but subject to manufacturing factors and unforeseeable circumstances (trade unions unrest, breakdown of machinery, late delivery by our suppliers, general unavailability of raw materials, fire, flood or other forces majeure). Any delay which might occur will not give rise on the part of the purchaser of the right to annul the order or to claim damages. 3) TRANSPORT: Goods travel at the customer's risk even if the price is stated as carriage free. The vendor will not be liable for the underweight goods or damage caused during transit as the carrier is exclusively liable in such cases and it is to him that the receiving party must promptly address a right informative notice in writing to this to the dealer. After 8 days have passed from receipt of the goods, no claims are in any case admissible. 4) PRICES: The prices are to be understood as net of tax duties and may be changed without notice. 5) RIGHT OF PROPERTY: The goods property belongs to the manufacturer and it is not acquired by the customer until the complete payment is made for the goods, and for any interest and costs involved. In case of payment not honoured, goods will, on the manufacturer's express request, be promptly sent back to the stores in free port indicated by the manufacturer. In any case the manufacturer reserves the right to charge the customer with the cost of restoration and renewal of returned goods. 6) PAYMENTS: Payments must be effected at due dates and in the terms agreed at our Headquarters. Payments made to agents, representatives or others are not recognized even by bills unless there is an express written authority by the manufacturer. In case of payment by instalments the failure to pay even one instalment allows the manufacturer to require the balance immediately plus the interest accrued at the average rate in force for the period. 7) BLOCKAGE OF CLAIMS: The customer may not, for any reason, delay or suspend payments owed on any account even if claims or disputes have arisen, nor may he start or take legal action of any kind if he has not first paid by the terms and in the terms agreed. 8) TECHNICAL CHARACTERISTICS: The technical data and characteristics stated in all the manufacturer's official publications refer to indicative nominal values. For specific needs and on explicit demand, the manufacturer can provide detailed technical sheets from which the internal acceptance criteria of the product can be deduced. The manufacturer reserves the right to make any modification without prior notice. Therefore weights, dimensions, performances and any other stated issues are indicative only and not binding.



CONDICIONES GENERALES DE VENTA

1) PEDIDOS: Cualquier pedido transmitido, ya sea por medio de nuestros agentes, ya por medio de carta, teléfono o fax, se considera definitivo sólo después de nuestra regular aceptación por escrito. 2) ENTREGA: Los términos indicados para la entrega no resultan obligativos sino que están sometidos a las posibilidades de fabricación o a fuerzas mayores (movimientos sindicales, averías de las maquinarias, entrega retrasada por parte de los proveedores, condiciones generales por las que las materias primas resultan imposibles de hallar, incendios, inundaciones o otras fuerzas mayores). Un retraso eventual no puede resultar por parte del comprador en cancelación del pedido ni en pretensión de indemnización. 3) ENVÍO: La mercancía viaja por cuenta y riesgo del remitente aun si su precio está fijado franco domicilio del comprador. No se responde de algún daño debido a falta de peso o a averías de viaje ya que por eso resulta responsable solamente y exclusivamente el transportista al que el destinatario debe rápidamente elevar reserva antes de retirar la mercancía y de eso dar comunicación por escrito también al cesionario. Transcurridos 8 días de la data de recepción de la mercancía no se admiten más reclamaciones. 4) PRECIOS: Los precios se entienden libres de gravámenes fiscales y pueden variarse sin previo aviso. 5) RESERVA DE PROPIEDAD: La propiedad de los bienes entregados es del fabricante y pasa al cliente sólo después del pago integral del precio, de los intereses y de los gastos debidos. En caso de incumplimiento la mercancía será, sobre expreso pedido del fabricante, rápidamente devuelta a los depósitos del fabricante indicados puerto franco. El fabricante se reserva el derecho de adeudar al cliente los gastos soportados para la regeneración y renovación del material devuelto. 6) PAGOS: Los pagos deben efectuarse al vencimiento y según las modalidades establecidas, a nuestra sede. No se reconocen pagos efectuados a agentes, representantes o otras personas aun si por medio de efectos, salvo expresa autorización del fabricante por escrito. En caso de pago dilacionado, la falta de pago aun de una rata solamente permite al fabricante de exigir el saldo inmediato del crédito residuo añadido de los intereses devengados al tipo medio en vigor en aquel periodo. 7) ACCION PROHIBIDA: El cliente no puede por ninguna razón retrasar o suspender los pagos debidos a cualquier título, aun si hubieran reclamaciones o contestaciones, ni puede entablar o continuar acciones judiciales de cualquier tipo si antes no haya tomado medidas para el pago dentro de los términos y según las modalidades establecidas. 8) CARACTERÍSTICAS TÉCNICAS: Los datos y las características citadas en todas las publicaciones oficiales del fabricante, se refieren a valores nominales indicativos. Para responder a específicas necesidades y bajo explícita demanda, el fabricante dispone de fichas técnicas detalladas donde se pueden deducir los criterios de aceptación interna del producto. El fabricante se reserva el derecho de aportar cualquier modificación sin previo aviso: por lo tanto pesos, medidas, prestaciones y demás informaciones no son vinculantes sino que indicativos.



CONDITIONS GENERALES DE VENTE

1) COMMANDES: Toute commande, faite par l'intermédiaire de nos agents, par lettre, par téléphone ou encore par télécopie, doit être considérée définie seulement après acceptation écrite de notre part. 2) LIVRAISON: Les délais indiqués pour la livraison ne nous engagent pas, mais ils sont subordonnés aux possibilités de fabrication et aux cas de force majeure (agitations syndicales, dégâts aux machineries, livraison différée de la part des fournisseurs, situations générales d'impossibilité de trouver les matières premières, incendies, inondations, ou d'autres causes de force majeure). Un retard éventuel ne peut pas déterminer, de la part de l'acheteur, l'annulation de la commande ni la prétention d'un dédommagement. 3) EXPEDITION: Les marchandises voyagent au risque et péril du commettant même si le prix est établi franco destination. Nous ne répondons pas des réclamations dues à faute de poids ni à avaries de voyage, étant responsable de cela uniquement et exclusivement le transporteur au quelle destinataire doit promptement dresser une réserve avant de retirer la marchandise et communiquer cela par écrit, pour information, même au cessionnaire. Après 8 jours à calculer à partir de la date de réception des marchandises, aucune pas au clients sinon après paiement intégral du prix, des intérêts et des frais dus. En cas de défaillance, la marchandise sera livrée de nouveau, sur demande précise du fabricant, aux dépôts indiqués par le fabricant franco de port. De toute façon le fabricant se réserve la faculté de débiter au client les frais supportés pour la régénération et la mise à neuf du matériel rendu. 6) PAIEMENTS: Les paiements doivent être effectués à l'échéance et selon les formes convenues dans notre siège. Les paiements faits à agents, représentants ou autres même si au moyen d'effets ne sont pas reconnus, sauf précise autorisation écrite de la part du fabricant. En cas de paiement échelonné, le non-paiement même d'un seul versement permet au fabricant d'exiger le solde immédiat du crédit restant augmenté des intérêts rapportés au taux moyen en vigueur dans cette période. 7) DEFENSE D'ACTION: Le client ne peut, pour aucune raison, différer ni suspendre les paiements dus à réclamation n'est acceptée. 4) PRIX: les prix s'entendent nets des charges fiscales et peuvent être variés sans que le fabricant soit obligée de donner un préavis. 5) RESERVE DE PROPRIETE: La propriété des biens livrés reste au fabricant et ne passe n'importe quel titre, même si des réclamations ou des contestations ont surgi. En outre, il ne peut ni tenter ni poursuivre aucune action en justice de n'importe quel genre, si, avant cela, il n'a pas pourvu au paiement dans les termes et les formes convenus. 8) CARACTERISTIQUES TECHNIQUES: Les données et les caractéristiques techniques citées dans toutes les publications officielles du fabricant se rapportent à des valeurs nominales indicatives. Sur demande et pour des nécessités spécifiques, le fabricant peut mettre à disposition des fiches techniques des produits détaillées par lesquelles on peut déduire aussi les critères de recevabilité technique interne des produits. Le fabricant se réserve le droit d'apporter n'importe quelle modification sans aucun préavis; par conséquent les poids, les mesures les performances et tout ce qui est indiqué ne sont pas contraignants mais simplement indicatifs.

Reliable Pumps For Project