



PURITY PUMP CO.,LTD. reserves the right to make changes without notice. all the specifications may be subject to change
50HZ

+86-18157639088
+86-13073899866

sm@cnpurity.com
info2@cnpurity.com

Dongqiao Village, Daxi Town, Wenling City, Zhejiang, China



www.cnpurity.com

2024. 03



WATER TREATMENT SYSTEM



www.cnpurity.com

Purity was founded in 2010, at the beginning of the establishment of high ambitions, energy-saving industrial pumps as the strategic positioning of the enterprise, quality and service as the core competitiveness, deep in the field of energy conservation, committed to research and development of energy-efficient pumps and systems.

We focus on the research and development of pump energy-saving technology, set up three R & D centers and four manufacturing bases in the world, and cooperate with professional teams in Europe and cutting-edge scientific research institutions in the field of energy conservation in Shanghai and Shenzhen. The products serve more than 120 countries and regions with global synchronous quality. In the municipal, agricultural, chemical, metallurgical, textile, cooling and other fields of in-depth integration of energy saving layout, aimed at all walks of life to reduce emissions and generate income, continue to implement environmental awareness, help the efficient use of resources, promote the sustainable development of enterprises.

In the field of industrial pump exploration, Purity constantly improve beyond itself, honored to participate in the drafting of national standards for centrifugal pumps, intelligent frequency cycle electric vertical pipeline pumps, has won the "national high-tech enterprise", "national science and technology enterprise", "national specialized special new little giant enterprise" and other honors.

60 Thousand m²
Construction Area 60000 m²

125⁺
Patent Certification

200⁺
Product Category

Water treatment System series

01 PVT/PVS

09 PV

13 PBWS

The Quality Of Purity Is In Sync With The World
Based On The Needs Of Users
Delivering High-efficiency And Energy-saving Industrial Pump Products
To The Global Market
Providing High-quality System Sales Service
And Creating A Reliable Brand Strength



PVT/PVS

S.S.304 vertical multistage pump
Bomba de etapas múltiples inox304
Pompe multicellulaire verticale inox304



PVT

PVS

PVT

NEW/NUEVO/NOUVEAU

DESCRIPTION/DESCRIPCIONES/DESCRIPTION

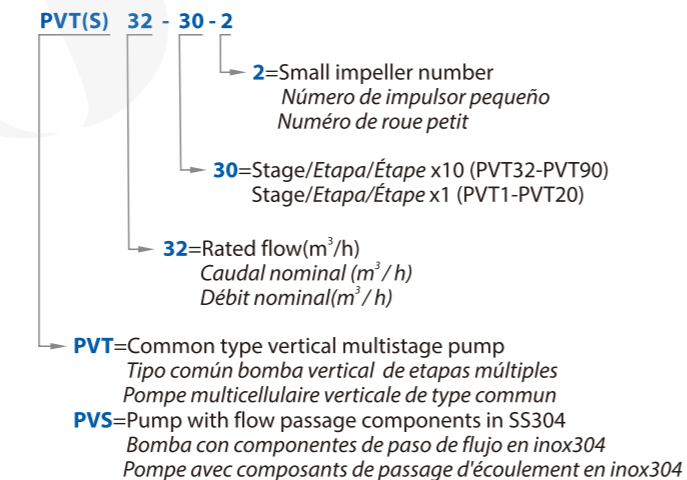
- ♦ SS304 vertical, multistage centrifugal pump
- ♦ The suction and discharge ports on the same level
- ♦ PVT pump head and base are in cast iron
- ♦ PVT pump impeller and shaft are in stainless steel
- ♦ PVS pump all wetted parts are in stainless steel
- ♦ YE3 high efficient motor, with protection IP55 class F
- ♦ Quality bearing, wear resistance mechanical seal
- ♦ Liquid temperature between -10°C and +120°C
- ♦ *Inox 304 bomba centrífuga vertical de etapas múltiples*
- ♦ *Los puertos de succión y descarga en el mismo nivel*
- ♦ *El cabezal y la base de la bomba PVT son de hierro fundido*
- ♦ *El impulsor y el eje de la bomba PVT son de acero inoxidable*
- ♦ *PVS todas las partes húmedas son de acero inoxidable*
- ♦ *Motor de alta eficiencia YE3, con protección IP55 clase F*
- ♦ *Rodamiento de marca NSK y cierre mecánico personalizado*
- ♦ *Temperatura del líquido entre -10 °C y + 120 °C*
- ♦ *Pompe centrifuge multicellulaire verticale inox 304*
- ♦ *Les orifices d'aspiration et de refoulement au même niveau*
- ♦ *La tête et la base de la pompe PVT sont en fonte.*
- ♦ *Roue et arbre de pompe PVT en acier inoxydable*
- ♦ *PVS toutes les pièces en contact avec le fluide sont en inox*
- ♦ *Moteur haute efficacité YE3, avec protection IP55 classe F*
- ♦ *Roulement NSK qualité, joint mécanique résistance à l'usure*
- ♦ *Température du liquide entre -10°C et + 120°C*

APPLICATIONS/APLICACIONES/APPLICATIONS

- The stainless steel multistage pumps are suitable for industrial processing systems,washing and cleaning systems,pumping of acids and alkalis, filtration systems,water pressure boosting,water Treatment,HVAC,irrigation, fire protection systems etc.
- Las bombas multietaapa de acero inoxidable son adecuadas para sistemas de procesamiento industrial, sistemas de lavado y limpieza, bombeo de ácidos y álcalis, sistemas de filtración, aumento de la presión del agua, HVAC, riego, sistemas de protección contra incendios, etc.*
- Les pompes à plusieurs étages en acier inoxydable conviennent systèmes de traitement industriel, systèmes de lavage et de nettoyage, pompe des acides et des alcalis, systèmes de filtration, à la surpression, traitement de l'eau,CVC, à l'irrigation, systèmes de protection contre les incendies, etc.*

MODEL CODE/CÓDIGO MODELO/CODE MODÈLE

For example/Par ejemplo/Par exemple



50Hz n=2900 r/min

MODEL MODELO MODÈLE	DN mm	Power Potencia Puissance kw hp	Q=DELIVERY/CAUDAL/DÉBIT																		
			us gpm	1.8	2.6	3.5	4.4	5.3	6.2	7	7.9	8.8	10.6	12.3	13.2	14.1	15.4	15.9	17.6		
			l/min	7	10	13	17	20	23	27	30	33	40	47	50	53	58	60	67	67	
			m ³ /h	0.4	0.6	0.8	1	1.2	1.4	1.6	1.8	2	2.4	2.8	3	3.2	3.5	3.6	4		
				H=Head/Altura/Hauteur(m)																	
PVT 1-2	25x25	0.37 0.5	13	12.5	12	11.5	11	10.5	10	9.5	9	-	-	-	-	-	-	-	-		
PVT 1-3	25x25	0.37 0.5	19	18	17.5	17	16.5	16	15	14	12	-	-	-	-	-	-	-	-		
PVT 1-4	25x25	0.37 0.5	24	23.5	23	22.5	21.5	21	19	18	16	-	-	-	-	-	-	-	-		
PVT 1-5	25x25	0.37 0.5	30	29.6	29	28	27	26	24	22	20	-	-	-	-	-	-	-	-		
PVT 1-6	25x25	0.37 0.5	36	35.5	35	33.5	33	31	28	26	23	-	-	-	-	-	-	-	-		
PVT 1-7	25x25	0.37 0.5	42	41	40.5	39	38	36	33	30	27	-	-	-	-	-	-	-	-		
PVT 1-8	25x25	0.55 0.75	48	47	46	45	43	41	38	34	30	-	-	-	-	-	-	-	-		
PVT 1-9	25x25	0.55 0.75	54	53	52	51	49	46	43	39	33	-	-	-	-	-	-	-	-		
PVT 1-10	25x25	0.55 0.75	60	59	58	57	54	51	48	43	36	-	-	-	-	-	-	-	-		
PVT 1-11	25x25	0.55 0.75	66	65	63	61	59	56	52	47	40	-	-	-	-	-	-	-	-		
PVT 1-12	25x25	0.75 1	72	71	69	67	64	61	57	51	44	-	-	-	-	-	-	-	-		
PVT 1-13	25x25	0.75 1	78	77	75	73	69	66	62	55	47	-	-	-	-	-	-	-	-		
PVT 1-15	25x25	0.75 1	89	88	86	84	79	76	71	63	55	-	-	-	-	-	-	-	-		
PVT 1-17	25x25	1.1 1.5	101	99	97	95	89	86	80	71	62	-	-	-	-	-	-	-	-		
PVT 1-19	25x25	1.1 1.5	113	110	108	106	99	96	89	79	69	-	-	-	-	-	-	-	-		
PVT 1-21	25x25	1.1 1.5	124	122	120	117	110	106	98	87	75	-	-	-	-	-	-	-	-		
PVT 1-23	25x25	1.1 1.5	137	133	131	128	121	116	107	96	82	-	-	-	-	-	-	-	-		
PVT 1-25	25x25	1.5 2	149	145	143	139	131	126	116	104	89	-	-	-	-	-	-	-	-		
PVT 1-27	25x25	1.5 2	161	157	155	150	141	136	125	112	95	-	-	-	-	-	-	-	-		
PVT 1-30	25x25	1.5 2	178	175	171	166	157	150	139	124	106	-	-	-	-	-	-	-	-		
PVT 1-33	25x25	2.2 3	196	192	188	183	173	165	154	137	118	-	-	-	-	-	-	-	-		
PVT 1-36	25x25	2.2 3	214	210	205	200	190	181	169	151	130	-	-	-	-	-	-	-	-		
PVT 2-2	25x25	0.37 0.5	-	-	-	18	17	17	16	16	15	13	12	11	10	8	-	-	-		
PVT 2-3	25x25	0.37 0.5	-	-	-	27	26	25	24	23	22	20	18	17	15	12	-	-	-		
PVT 2-4	25x25	0.55 0.75	-	-	-	36	35	34	33	32	30	26	24	22	20	16	-	-	-		
PVT 2-5	25x25	0.55 0.75	-	-	-	45	43	42	40	39	37	33	30	27	24	20	-	-	-		
PVT 2-6	25x25	0.75 1	-	-	-	53	52	51	50	48	45	40	36	33	30	24	-	-	-		
PVT 2-7	25x25	0.75 1	-	-	-	63	61	59	57	55	52	47	41	38	35	28	-	-	-		
PVT 2-9	25x25	1.1 1.5	-	-	-	80	78	76	73	70	67	61	54	50	45	37	-	-	-		
PVT 2-11	25x25	1.1 1.5	-	-	-	98	95	92	89	86	82	73	64	59	54	44	-	-	-		
PVT 2-13	25x25	1.5 2	-	-	-	116	114	110	106	102	98	89	78	72	65	52	-	-	-		
PVT 2-15	25x25	1.5 2	-	-	-	134	130	127	123	118	112	100	90	82	73	60	-	-	-		
PVT 2-18	25x25	2.2 3	-	-	-	161	157	153	148	142	136	121	108	100	91	76	-	-	-		
PVT 2-22	25x25	2.2 3	-	-	-	197	192	186	180	173	165	148	130	120	110	90	-	-	-		
PVT 2-26	25x25	3 4	-	-	-	232	228	221	214	206	198	179	158	144	130	110	-	-	-		
PVT 3-2	25x25	0.37 0.5	-	-	-	-	12.5	12	11.5	11	11	10.5	10	9	8	7	7	6	6		
PVT 3-3	25x25	0.37 0.5	-	-	-	-	19	19	18.5	18	17.5	16.5	15	14	13	12	11	9	9		
PVT 3-4	25x25	0.37 0.5	-	-	-	-	25	25	24	24	23	21.5	20	19	18	16	15	12	12		
PVT 3-5	25x25	0.37 0.5	-	-	-	-	31	31	30	30	29	27	25	23	22	20	19	16	16		
PVT 3-6	25x25	0.55 0.75	-	-	-	-	36	36	35	35	34	32	30	28	27	24	23	19	19		
PVT 3-7	25x25	0.55 0.75	-	-	-	-	43	42	41	40	39	37	34	32	31	28	27	22	22		
PVT 3-8	25x25	0.75 1	-	-	-	-	49	48	47	46	45	43	39	37	35	32	31	25	25		
PVT 3-9	25x25	0.75 1	-	-	-	-	55	54	53	52	51	48	45	42	40	36	35	28	28		
PVT 3-10	25x25	0.75 1	-	-	-	-	61	60	59	58	57	54	50	47	45	41	39	31	31		
PVT 3-11	25x25	1.1 1.5	-	-	-	-	67	66	64	63	61	58	54	51	49	44	42	34	34		
PVT 3-12	25x25	1.1 1.5	-	-	-	-	73	72	70	69	67	63	58	55	52	47	45	37	37		
PVT 3-13	25x25	1.1 1.5	-	-	-	-	78	77	76	75	73	69	64	60	57	51	49	40	40		
PVT 3-15	25x25	1.1 1.5	-	-	-	-	90	89	88	86	84	79	73	69	66	59	57	46	46		
PVT 3-17	25x25	1.5 2	-	-	-	-	103	102	100	98	96	90	83	79	75	67	64	52	52		
PVT 3-19	25x25	1.5 2	-	-	-	-	115	114	112	110	107	100	92	88	83	75	72	58	58		
PVT 3-21	25x25	2.2 3	-	-	-	-	128	126	124	122	119	112	102	98	91	82	79	64	64		
PVT 3-23	25x25	2.2 3	-	-	-	-	140	138	135	133	130	122	112	107	100	90	86	70	70		
PVT 3-25	25x25	2.2 3	-	-	-	-	151	149	147	144	141	131	122	116	109	98	94	76	76		
PVT 3-27	25x25	2.2 3	-	-	-	-	164	162	159	156	152	143	132	124	117	105	101	82	82		
PVT 3-29	25x25	2.2 3	-	-	-	-	175	173	170	167	163	153	142	133	126	113	109	88	88		
PVT 3-31	25x25	3 4	-	-	-	-	187	185	182	179	175	165	153	142	135	121	116	94	94		
PVT 3-33	25x25	3 4	-	-	-	-	199	197	194	191	187	176	163	151	145	130	125	100	100		
PVT 3-36	25x25	3 4	-	-	-	-	218	215	212	208	204	192	178	168	159	143	137	109	109		

50Hz n=2900 r/min

50Hz n=2900 r/min

MODEL MODELO MODÈLE	DN mm	Power Potencia Puissance		Q=DELIVERY/CAUDAL/DÉBIT															
		kw	hp	6.6	8.8	13.2	17.6	22	26.4	30.8	35.2	39.6	44.1	48.5	52.9	57.3	61.7	66.1	70.5
				1.5	2	3	4	5	6	7	8	9	10	11	12	13	14	15	16
PVT 4-2	32x32	0.37	0.5	19	18	17	15	13	10	8	-	-	-	-	-	-	-	-	-
PVT 4-3	32x32	0.55	0.75	28	27	26	24	20	18	13	-	-	-	-	-	-	-	-	-
PVT 4-4	32x32	0.75	1	38	36	34	32	27	24	19	-	-	-	-	-	-	-	-	-
PVT 4-5	32x32	1.1	1.5	47	45	43	40	34	31	23	-	-	-	-	-	-	-	-	-
PVT 4-6	32x32	1.1	1.5	56	54	52	48	41	37	28	-	-	-	-	-	-	-	-	-
PVT 4-7	32x32	1.5	2	66	63	61	56	48	43	33	-	-	-	-	-	-	-	-	-
PVT 4-8	32x32	1.5	2	74	72	70	64	55	50	38	-	-	-	-	-	-	-	-	-
PVT 4-10	32x32	2.2	3	96	90	87	81	71	62	48	-	-	-	-	-	-	-	-	-
PVT 4-12	32x32	2.2	3	114	108	104	95	85	75	58	-	-	-	-	-	-	-	-	-
PVT 4-14	32x32	3	4	136	126	122	112	101	89	68	-	-	-	-	-	-	-	-	-
PVT 4-16	32x32	3	4	152	144	140	129	115	101	78	-	-	-	-	-	-	-	-	-
PVT 4-19	32x32	4	5.5	183	171	168	153	137	122	93	-	-	-	-	-	-	-	-	-
PVT 4-22	32x32	4	5.5	211	200	192	178	160	138	108	-	-	-	-	-	-	-	-	-
PVT 8-2-1	40x40	0.75	1	-	-	-	-	10	9.5	9.3	9	8.5	8	7	6	-	-	-	-
PVT 8-2	40x40	0.75	1	-	-	-	-	20	19.5	19	18	17	16	14	13	-	-	-	-
PVT 8-3	40x40	1.1	1.5	-	-	-	-	30	29.5	28.5	27	25	24	21	19	-	-	-	-
PVT 8-4	40x40	1.5	2	-	-	-	-	41	39.5	38	36	34	32	28	26	-	-	-	-
PVT 8-5	40x40	2.2	3	-	-	-	-	52	50	48	45	42	40	36	32	-	-	-	-
PVT 8-6	40x40	2.2	3	-	-	-	-	62	60	57	54	51	48	43	39	-	-	-	-
PVT 8-8	40x40	3	4	-	-	-	-	83	80	77	73	69	65	58	52	-	-	-	-
PVT 8-10	40x40	4	5.5	-	-	-	-	104	100	97	92	87	81	73	65	-	-	-	-
PVT 8-12	40x40	4	5.5	-	-	-	-	124	120	116	111	104	92	87	78	-	-	-	-
PVT 8-14	40x40	5.5	7.5	-	-	-	-	145	141	136	130	122	113	102	92	-	-	-	-
PVT 8-16	40x40	5.5	7.5	-	-	-	-	166	161	156	148	139	130	118	106	-	-	-	-
PVT 8-18	40x40	7.5	10	-	-	-	-	187	182	175	167	157	146	134	120	-	-	-	-
PVT 8-20	40x40	7.5	10	-	-	-	-	208	202	195	186	175	163	150	135	-	-	-	-
PVT 10-1	40x40	0.75	1	-	-	-	-	9.7	9.3	8.9	8.3	7.7	7	6	5	4	-	-	-
PVT 10-2	40x40	0.75	1	-	-	-	-	19.5	19	18	17	16	15	13.5	11.5	10	-	-	-
PVT 10-3	40x40	1.1	1.5	-	-	-	-	29.5	29	28	27	25	23	21	18	16	-	-	-
PVT 10-4	40x40	1.5	2	-	-	-	-	39.5	38.5	37.5	36	34	31	28	25	22	-	-	-
PVT 10-5	40x40	2.2	3	-	-	-	-	49.5	48.5	47	44	42	39	35	32	28	-	-	-
PVT 10-6	40x40	2.2	3	-	-	-	-	60	58	56	54	51	48	43	39	34	-	-	-
PVT 10-7	40x40	3	4	-	-	-	-	70	68	66	63	60	56	51	45	39	-	-	-
PVT 10-8	40x40	3	4	-	-	-	-	80	78	75	73	69	64	58	52	44	-	-	-
PVT 10-9	40x40	3	4	-	-	-	-	90	87	85	81	77	72	66	58	50	-	-	-
PVT 10-10	40x40	4	5.5	-	-	-	-	100	97	95	90	85	80	74	66	56	-	-	-
PVT 10-12	40x40	4	5.5	-	-	-	-	120	117	114	109	104	96	89	79	68	-	-	-
PVT 10-14	40x40	5.5	7.5	-	-	-	-	140	137	134	129	122	113	103	92	79	-	-	-
PVT 10-16	40x40	5.5	7.5	-	-	-	-	160	158	153	148	140	129	119	106	91	-	-	-
PVT 10-18	40x40	7.5	10	-	-	-	-	180	177	172	166	156	145	133	119	102	-	-	-
PVT 10-20	40x40	7.5	10	-	-	-	-	200	196	191	184	173	162	147	132	114	-	-	-
PVT 10-22	40x40	7.5	10	-	-	-	-	220	216	210	202	190	178	162	145	126	-	-	-
PVT 12-2	50x50	1.5	2	-	-	-	-	-	23.5	23	22.5	22	21	20	18.5	17	15.5	14	-
PVT 12-3	50x50	2.2	3	-	-	-	-	-	35.5	35	34	33	31.5	30	28	26	23.5	21	-
PVT 12-4	50x50	3	4	-	-	-	-	-	47	46	45	44	42	40	37	34	31	28	-
PVT 12-5	50x50	3	4	-	-	-	-	-	59.5	58	56.5	55	52.5	50	46.5	43	39	35	-
PVT 12-6	50x50	4	5.5	-	-	-	-	-	71.5	70	68	66	63	60	56	52	47	42	-
PVT 12-7	50x50	5.5	7.5	-	-	-	-	-	83.5	82	79.5	77	73.5	70	65.5	61	55	49	-
PVT 12-8	50x50	5.5	7.5	-	-	-	-	-	95.5	94	91	88	84	80	75	70	63	56	-
PVT 12-9	50x50	5.5	7.5	-	-	-	-	-	108	106	103	100	95.5	91	85	79	71.5	64	-
PVT 12-10	50x50	7.5	10	-	-	-	-	-	120	118	114.5	111	106	101	94.5	88	80	72	-
PVT 12-12	50x50	7.5	10	-	-	-	-	-	143.5	141	137	133	127	121	113.5	106	96	86	-
PVT 12-14	50x50	11	15	-	-	-	-	-	168	165	160	155	148	141	132.5	124	112	100	-
PVT 12-16	50x50	11	15	-	-	-	-	-	192.5	189	183.5	178	170	162	152	142	128.5	115	-
PVT 12-18	50x50	11	15	-	-	-	-	-	217	213	207.5	202	192.5	183	171.5	160	145	130	-

PVS also available/tambièn disponible/aussi disponible

Performance curve in page/Curva en página/Courbe en page 172-173

MODEL MODELO MODÈLE	DN mm	Power Potencia Puissance		35	44	53	62	70	Q=DELIVERY/CAUDAL/DÉBIT									176	
		kw	hp						133	167	200	233	267	300	333	367	400		433
				8	10	12	14	16	18	20	22	24	26	28	32	36	40		
PVT 15-1	50x50	1.1	1.5	12	11.5	11	10.5	9.5	8.5	7.5	6.5	-	-	-	-	-	-	-	-
PVT 15-2	50x50	2.2	3	25	24.5	24	23	21.5	20	18	16	-	-	-	-	-	-	-	-
PVT 15-3	50x50	3	4	39	38	37	37	33	30	28	25	-	-	-	-	-	-	-	-
PVT 15-4	50x50	4	5.5	52	51	49	49	44	40	37	33	-	-	-	-	-	-	-	-
PVT 15-5	50x50	4	5.5	65	63	61	59	55	51	47	42	-	-	-	-	-	-	-	-
PVT 15-6	50x50	5.5	7.5	78	76	74	71	67	62	57	51	-	-	-	-	-	-	-	-
PVT 15-7	50x50	5.5	7.5	92	90	87	83	79	73	67	60	-	-	-	-	-	-	-	-
PVT 15-8	50x50	7.5	10	106	103	100	96	90	84	77	69	-	-	-	-	-	-	-	-
PVT 15-9	50x50	7.5	10	120	117	114	109	103	95	87	79	-	-	-	-	-	-	-	-
PVT 15-10	50x50	11	15	133	130	126	121	114	106	97	88	-	-	-	-	-	-	-	-
PVT 15-12	50x50	11	15	160	157	152	146	138	128	117	106	-	-	-	-	-	-	-	-
PVT 15-14	50x50	11	20	187	182	177	169	160	149	137	124	-	-	-	-	-	-	-	-
PVT 15-17	50x50	15	20	227	222	215	206	195	182	167	151	-	-	-	-	-	-	-	-
PVT 20-1	50x50	1.1	1.5	-	13.5	13	12.5	12	11	10	9	8	7	6	-	-	-	-	-
PVT 20-2	50x50	2.2	3	-	27	26.5	26	25	24	23	22	20	18	15	-	-	-	-	-
PVT 20-3	50x50	4	5.5	-	40	39.5	39	38	37	35	33	30	27	24	-	-	-	-	-
PVT 20-4	50x50	5.5	7.5	-	54	53	52	51	49	47	44	41	37	33	-	-	-	-	-
PVT 20-5	50x50	5.5	7.5	-	67	66	64	62	60	58	55	50	45	40	-	-	-	-	-
PVT 20-6	50x50	7.5	10	-	81	79	77	75	73	70	66	61	55	49	-	-	-	-	-
PVT 20-7	50x50	7.5	10	-	95	93	91	89	86	82	77	71	65	58	-	-	-	-	-
PVT 20-8	50x50	11	15	-	109	107	105	102	99	94	89	82	75	67	-	-	-	-	-
PVT 20-10	50x50	11	15	-	136	134	131	128	124	118	111	103	95	85	-	-	-	-	-
PVT 20-12	50x50	15	20	-	164	162	158	154	149	142	133	124	114	102	-	-	-	-	-
PVT 20-14	50x50	15	20	-	192	189	185	180	174	166									

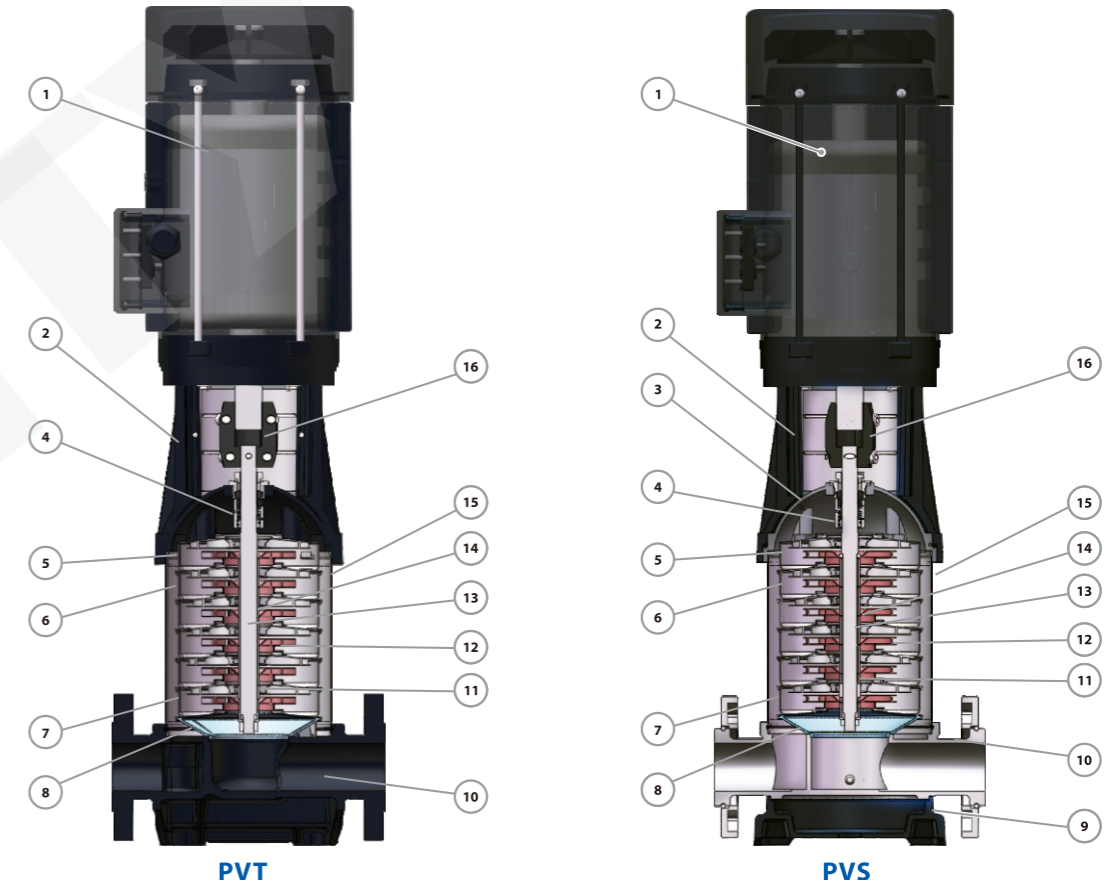
50Hz n=2900 r/min

MODEL MODELO MODÈLE	DN mm	Power Potencia Puissance		Q=DELIVERY/CAUDAL/DÉBIT																		
		kw	hp	us	110	132	154	176	185	198	220	242	264	286	308	352	374	396	441	485		
				gpm	l/min	417	500	583	667	700	750	833	917	1000	1083	1167	1333	1417	1500	1667	1833	
				H=Head/Altura/Hauteur(m)																		
				20	19	18	17	16	15	13	11	-	-	-	-	-	-	-	-	-	-	-
PVT 45-10-1	80x80	3	4	20	19	18	17	16	15	13	11	-	-	-	-	-	-	-	-	-	-	
PVT 45-10	80x80	4	5.5	24	23	22	21	20	19	18	16	-	-	-	-	-	-	-	-	-	-	
PVT 45-20-2	80x80	5.5	7.5	40	38	36	33	32	30	27	23	-	-	-	-	-	-	-	-	-	-	
PVT 45-20	80x80	7.5	10	48	46	44	42	41	39	35	31	-	-	-	-	-	-	-	-	-	-	
PVT 45-30-2	80x80	11	15	63	61	58	54	52	50	44	38	-	-	-	-	-	-	-	-	-	-	
PVT 45-30	80x80	11	15	71	69	66	63	61	58	53	47	-	-	-	-	-	-	-	-	-	-	
PVT 45-40-2	80x80	15	20	87	84	80	75	73	69	62	54	-	-	-	-	-	-	-	-	-	-	
PVT 45-40	80x80	15	20	95	92	88	84	81	78	71	62	-	-	-	-	-	-	-	-	-	-	
PVT 45-50-2	80x80	18.5	25	111	107	102	96	93	88	80	69	-	-	-	-	-	-	-	-	-	-	
PVT 45-50	80x80	18.5	25	119	115	110	105	101	97	88	78	-	-	-	-	-	-	-	-	-	-	
PVT 45-60-2	80x80	22	30	135	130	124	117	113	108	97	85	-	-	-	-	-	-	-	-	-	-	
PVT 45-60	80x80	22	30	143	138	132	125	122	116	106	93	-	-	-	-	-	-	-	-	-	-	
PVT 45-70-2	80x80	30	40	158	152	146	138	134	127	115	100	-	-	-	-	-	-	-	-	-	-	
PVT 45-70	80x80	30	40	166	161	154	146	142	135	124	109	-	-	-	-	-	-	-	-	-	-	
PVT 45-80-2	80x80	30	40	182	175	168	159	154	146	133	116	-	-	-	-	-	-	-	-	-	-	
PVT 45-80	80x80	30	40	190	184	176	167	162	154	141	124	-	-	-	-	-	-	-	-	-	-	
PVT 45-90-2	80x80	30	40	205	198	190	180	174	166	150	132	-	-	-	-	-	-	-	-	-	-	
PVT 45-90	80x80	37	50	214	207	198	188	183	174	159	140	-	-	-	-	-	-	-	-	-	-	
PVT 45-100-2	80x80	37	50	230	221	212	200	194	185	168	147	-	-	-	-	-	-	-	-	-	-	
PVT 45-100	80x80	37	50	238	230	220	209	203	193	177	155	-	-	-	-	-	-	-	-	-	-	
PVT 45-110-2	80x80	45	60	255	246	236	223	217	206	188	165	-	-	-	-	-	-	-	-	-	-	
PVT 45-110	80x80	45	60	263	255	244	232	225	214	196	173	-	-	-	-	-	-	-	-	-	-	
PVT 45-120-2	80x80	45	60	280	270	259	245	238	226	206	181	-	-	-	-	-	-	-	-	-	-	
PVT 45-120	80x80	45	60	289	280	268	255	247	236	216	190	-	-	-	-	-	-	-	-	-	-	
PVT 45-130-2	80x80	45	60	305	294	282	267	259	247	225	198	-	-	-	-	-	-	-	-	-	-	
PVT 64-10-1	100x100	4	5.5	-	19	19	18	18	17	16	15	14	13	11	8	-	-	-	-	-	-	
PVT 64-10	100x100	5.5	7.5	-	27	26	25	25	24	23	22	21	20	18	15	-	-	-	-	-	-	
PVT 64-20-2	100x100	7.5	10	-	39	38	36	36	35	33	31	29	26	23	17	-	-	-	-	-	-	
PVT 64-20-1	100x100	11	15	-	46	45	44	43	42	40	38	36	33	30	24	-	-	-	-	-	-	
PVT 64-20	100x100	11	15	-	53	52	51	50	49	47	45	43	40	37	30	-	-	-	-	-	-	
PVT 64-30-2	100x100	15	20	-	66	64	62	61	59	56	53	50	46	41	32	-	-	-	-	-	-	
PVT 64-30-1	100x100	15	20	-	73	71	69	68	66	63	60	57	53	48	39	-	-	-	-	-	-	
PVT 64-30	100x100	18.5	25	-	80	78	76	75	73	70	67	64	60	55	46	-	-	-	-	-	-	
PVT 64-40-2	100x100	18.5	25	-	92	90	87	86	84	80	76	71	66	60	47	-	-	-	-	-	-	
PVT 64-40-1	100x100	22	30	-	100	97	94	93	91	87	83	78	73	67	54	-	-	-	-	-	-	
PVT 64-40	100x100	22	30	-	107	104	101	100	98	94	90	85	80	74	61	-	-	-	-	-	-	
PVT 64-50-2	100x100	30	40	-	121	118	114	112	110	105	100	95	88	80	64	-	-	-	-	-	-	
PVT 64-50-1	100x100	30	40	-	128	125	121	119	117	112	107	102	95	87	71	-	-	-	-	-	-	
PVT 64-50	100x100	30	40	-	136	133	129	127	124	119	114	109	102	94	78	-	-	-	-	-	-	
PVT 64-60-2	100x100	30	40	-	150	146	142	140	137	131	125	118	110	101	81	-	-	-	-	-	-	
PVT 64-60-1	100x100	37	50	-	157	153	149	147	144	138	132	125	117	108	88	-	-	-	-	-	-	
PVT 64-60	100x100	37	50	-	164	160	156	154	151	145	139	132	124	115	95	-	-	-	-	-	-	
PVT 64-70-2	100x100	37	50	-	179	174	169	167	163	156	149	141	132	121	99	-	-	-	-	-	-	
PVT 64-70-1	100x100	37	50	-	186	181	176	174	170	163	156	148	139	128	106	-	-	-	-	-	-	
PVT 64-70	100x100	45	60	-	193	188	183	181	177	170	163	155	146	135	112	-	-	-	-	-	-	
PVT 64-80-2	100x100	45	60	-	207	202	196	193	189	182	173	164	154	142	116	-	-	-	-	-	-	
PVT 64-80-1	100x100	45	60	-	215	209	203	200	196	189	180	171	161	149	123	-	-	-	-	-	-	
PVT 90-10-1	100x100	5.5	7.5	-	-	-	-	-	-	22	21	19	18	17	16	14	13	10	6	-	-	
PVT 90-10	100x100	7.5	10	-	-	-	-	-	-	25	25	24	23	22	21	20	19	16	12	-	-	
PVT 90-20-2	100x100	11	15	-	-	-	-	-	-	41	40	39	38	36	32	30	28	22	15	-	-	
PVT 90-20	100x100	15	20	-	-	-	-	-	-	53	52	50	49	47	44	41	40	36	30	-	-	
PVT 90-30-2	100x100	18.5	25	-	-	-	-	-	-	68	67	65	63	60	55	52	49	41	32	-	-	
PVT 90-30	100x100	22	30	-	-	-	-	-	-	81	79	77	75	72	67	64	62	55	48	-	-	
PVT 90-40-2	100x100	30	40	-	-	-	-	-	-	98	96	93	90	87	80	75	72	62	50	-	-	
PVT 90-40	100x100	30	40	-	-	-	-	-	-	110	108	105	103	100	92	86	84	76	66	-	-	
PVT 90-50-2	100x100	37	50	-	-	-	-	-	-	126	123	120	117	113	104	98	93	81	68	-	-	
PVT 90-50	100x100	37	50	-	-	-	-	-	-	139	135	131	128	124	115	110	106	94	83	-	-	
PVT 90-60-2	100x100	45	60	-	-	-	-	-	-	155	152	148	144	139	129	122	117	102	86	-	-	
PVT 90-60	100x100	45	60	-	-	-	-	-	-	168	164	160	155	150	141	134	130	117	103	-	-	

PVS also available/también disponible/aussi disponible

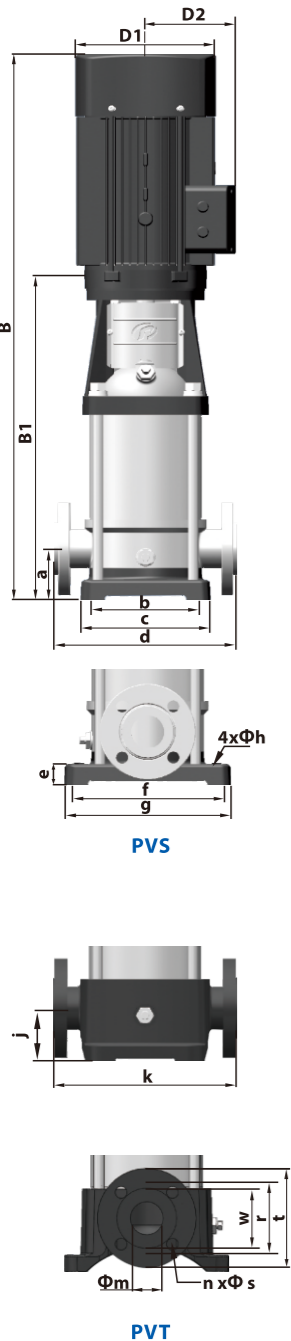
Performance curve in page/Curva en página/Courbe en page 174

MATERIAL DESCRIPTION/DESCRIPCIÓN DE MATERIAL/DESCRIPTION DU MATÉRIEL



No.	Description Descripción Description	Material Material Matériel
1	Motor Motor Moteur	IP55 Class F IP55 Clase F IP55 classe F
2	Pump Case Cuerpo de Bomba Boîtier de pompe	Cast iron Fundición Fonte
3	Seal Base Soporte Sello Seal Base	SS304 Inox 304 Inox 304
4	Mechanical Seal Sello Mecánico Garniture mécanique	SS304 Inox 304 Inox 304
5	Top Diffuser Difusor Tope Diffuseur supérieur	SS304 Inox 304 Inox 304
6	Diffuser Difusor Diffuseur	SS304 Inox 304 Inox 304
7	Support Diffuser Difusor Soporte Diffuseur de support	SS304 Inox 304 Inox 304
8	Inducer Inductor Inducteur	SS304 Inox 304 Inox 304

No.	Description Descripción Description	Material Material Matériel
9	Base Plate Placa Base Plaque de base	Cast iron Fundición Fonte
10	Inlet&Outlet Chamber Cámara de entrada y salida Chambre d'entrée et de sortie	PVT:Cast iron PVS:SS304 PVT:Fundición PVS:Inox304 PVT:Fonte PVS:Inox304
11	Bearing Cojinete Palier	Tungsten Carbide Carburo de Tungsteno Le carbure de tungstène
12	Impeller Impulsor Roue	SS304 Inox 304 Inox 304
13	Shaft Eje Arbre	SS304 Inox 304 Inox 304
14	Impeller Sleeve Casquillo Impulsor Manchon de roue	SS304 Inox 304 Inox 304
15	Cylinder Cilindro Cylindre	SS304 Inox 304 Inox 304
16	Coupling Unión Couplage	Carbon Steel Acero al Carbono Acier Carbone



MODEL MODELO MODÈLE	B1	B	D1	D2	COMMON COMÚN COMMUN	kg
1-2	258	483	148	117	DN=25 a=50 b=100 c=150 d=210 e=20 f=180 g=210 h=13 j=75 k=250 m=32 n=4 r=85 s=14 t=115 w=60	20
1-3	276	501	148	117		20
1-4	294	519	148	117		21
1-5	312	537	148	117		21
1-6	330	555	148	117		22
1-7	348	573	148	117		23
1-8	366	591	148	117		24
1-9	384	609	148	117		25
1-10	402	627	148	117		26
1-11	420	645	148	117		26
1-12	448	693	170	142		29
1-13	466	711	170	142		30
1-15	502	747	170	142		31
1-17	538	783	170	142		33
1-19	574	819	170	142		34
1-21	610	855	170	142		35
1-23	646	891	170	142		36
1-25	692	982	190	155		42
1-27	728	1018	190	155		43
1-30	782	1072	190	155		45
1-33	836	1126	190	155		49
1-36	890	1180	190	155		51
2-2	258	483	148	117		20
2-3	276	501	148	117		20
2-4	294	519	148	117		22
2-5	312	537	148	117		23
2-6	340	585	170	142		26
2-7	358	603	170	142		26
2-9	394	639	170	142		28
2-11	430	675	170	142		29
2-13	476	766	190	155		35
2-15	512	802	190	155		36
2-18	566	856	190	155		41
2-22	638	928	190	155		42
2-26	720	1065	197	165		52
3-2	258	483	148	117		20
3-3	276	501	148	117	20	
3-4	294	519	148	117	21	
3-5	312	537	148	117	21	
3-6	330	555	148	117	23	
3-7	348	573	148	117	24	
3-8	376	621	170	142	27	
3-9	394	639	170	142	28	
3-10	412	657	170	142	28	
3-11	430	675	170	142	29	
3-12	448	693	170	142	30	
3-13	466	711	170	142	31	
3-15	502	747	170	142	32	
3-17	548	838	190	155	38	
3-19	584	874	190	155	39	
3-21	620	910	190	155	42	
3-23	656	946	190	155	43	
3-25	692	982	190	155	44	
3-27	728	1018	190	155	45	
3-29	764	1054	190	155	46	
3-31	810	1155	197	165	54	
3-33	846	1191	197	165	55	
3-36	900	1245	197	165	57	

MODEL MODELO MODÈLE	B1	B	D1	D2	COMMON COMÚN COMMUN	kg
4-2	276	501	148	117	DN=32	21
4-3	303	528	148	117	a=50	22
4-4	340	585	170	142	b=100	25
4-5	367	612	170	142	c=150	27
4-6	394	639	170	142	d=210	27
4-7	431	721	190	155	e=20	33
4-8	458	748	190	155	f=180	33
4-10	512	802	190	155	g=210	37
4-12	566	856	190	155	h=13	38
4-14	630	975	197	165	j=75	46
4-16	684	1029	197	165	k=250	48
4-19	765	1120	230	188	m=32	57
4-22	846	1201	230	188	n=4	59
8-2-1	347	592	170	142	r=100	32
8-2	347	592	170	142	s=18	32
8-3	377	622	170	142	t=140	34
8-4	417	707	190	155	w=60	40
8-5	447	737	190	155	DN=40 a=80 b=130 c=199 d=260 e=25 f=215 g=247 h=14 j=80 k=280 m=50 n=4 r=110 s=18 t=150 w=80	44
8-6	477	767	190	155		45
8-8	547	892	197	165		53
8-10	607	962	230	188		64
8-12	667	1022	230	188		66
8-14	747	1137	260	208		81
8-16	807	1197	260	208		84
8-18	867	1257	260	208		93
8-20	927	1317	260	208		94
10-1	347	592	170	142		40
10-2	347	592	170	142		41
10-3	377	622	170	142		43
10-4	417	707	190	155		49
10-5	447	737	190	155		53
10-6	477	767	190	155		54
10-7	517	862	197	165		64
10-8	547	892	197	165		65
10-9	577	922	197	165		66
10-10	607	962	230	188	74	
10-12	667	1022	230	188	76	
10-14	747	1137	260	208	100	
10-16	807	1197	260	208	102	
10-18	867	1257	260	208	107	
10-20	927	1317	260	208	109	
10-22	987	1377	260	208	111	
12-2	367	657	190	155	DN=50	39
12-3	397	687	190	155	a=90	43
12-4	437	782	197	165	b=130	51
12-5	467	812	197	165	c=199	53
12-6	497	852	230	188	d=260	53
12-7	547	937	260	208	e=35	61
12-8	577	967	260	208	f=215	73
12-9	607	997	260	208	g=247	74
12-10	637	1027	260	208	h=14	76
12-12	697	1087	260	208	j=90	83
12-14	845	1345	330	255	k=300	87
12-16	905	1405	330	255	m=50	157
12-18	965	1465	330	255	n=4	161
					r=125	
					s=18	
					t=165	
					w=80	

MODEL MODELO MODÈLE	B1	B	D1	D2	COMMON COMÚN COMMUN	kg
15-1	387	245	170	142	DN=50 a=90 b=130 c=199 d=260 e=35 f=215 g=247 h=14 j=90 k=300 m=50 n=4 r=125 s=18 t=165 w=80	33
15-2	397	290	190	155		42
15-3	452	345	197	165		51
15-4	497	355	230	188		60
15-5	542	355	230	188		62
15-6	607	390	260	208		78
15-7	652	390	260	208		80
15-8	697	390	260	208		86
15-9	742	390	260	208		88
15-10	875	500	330	255		166
15-12	965	500	330	255		170
15-14	1055	500	330	255		173
15-17	1190	500	330	255		186
20-1	387	632	170	142		33
20-2	397	687	190	155		42
20-3	452	807	230	188		58
20-4	517	907	260	208		74
20-5	562	952	260	208	76	
20-6	607	997	260	208	82	
20-7	652	1042	260	208	84	
20-8	785	1285	330	255	153	
20-10	875	1375	330	255	157	
20-12	965	1465	330	255	170	
20-14	1055	1555	330	255	172	
20-17	1190	1740	330	255	195	
32-10-1	505	795	190	155	64	
32-10	505	795	190	155	68	
32-20-2	575	920	197	165	77	
32-20	575	930	230	188	85	
32-30-2	645	1035	260	208	100	
32-30	645	1035	260	208	100	
32-40-2	715	1105	260	208	109	
32-40	715	1105	260	208	109	
32-50-2	890	1390	330	255	181	
32-50	890	1390	330	255	181	
32-60-2	960	1460	330	255	185	
32-60	960	1460	330	255	185	
32-70-2	1030	1530	330	255	199	
32-70	1030	1530	330	255	199	
32-80-2	1100	1600	330	255	203	
32-80	1100	1600	330	255	203	
32-90-2	1170	1720	330	255	222	
32-90	1170	1720	330	255	222	
32-100-2	1240	1790	330	255	227	
32-100	1240	1790	330	255	227	
32-110-2	1310	1885	360	285	272	
32-110	1310	1885	360	285	272	
32-120-2	1380	1955	360	285	276	
32-120	1380	1955	360	285	276	
32-130-2	1450	2100	400	310	337	
32-130	1450	2100	400	310	337	
32-140-2	1520	2170	400	310	341	
32-140	1520	2170	400	310	341	
32-150-2	1590	2240	400	310	345	
32-150	1590	2240	400	310	345	
32-160-2	1660	2310	400	310	350	
32-160	1660	2310	400	310	350	

MODEL MODELO MODÈLE	B1	B	D1	D2	COMMON COMÚN COMMUN	kg	
45-10-1	561	906	197	165	DN=80 a=140 b=190 c=245 d=365 e=45 f=266 g=330 h=14 j=140 k=365 m=80 n=8 r=160 s=18 t=200 w=120	83	
45-10	561	916	230	188		90	
45-20-2	641	1031	260	208		105	
45-20	641	1031	260	208		110	
45-30-2	826	1326	330	255		183	
45-30	826	1326	330	255		183	
45-40-2	906	1406	330	255		197	
45-40	906	1406	330	255		197	
45-50-2	986	1536	330	255		221	
45-50	986	1536	330	255		221	
45-60-2	1066	1641	360	285		261	
45-60	1066	1641	360	285		261	
45-70-2	1146	1796	400	310		320	
45-70	1146	1796	400	310		320	
45-80-2	1226	1876	400	310		324	
45-80	1226	1876	400	310		324	
45-90-2	1306	1956	400	310		328	
45-90	1306	1956	400	310		352	
45-100-2	1386	2036	400	310		355	
45-100	1386	2036	400	310		355	
45-110-2	1466	2151	450	345		426	
45-110	1466	2151	450	345		426	
45-120-2	1546	2231	450	345		432	
45-120	1546	2231	450	345		432	
45-130-2	1626	2311	450	345		438	
64-10-1	561	916	230	188		DN=100 a=140 b=190 c=245 d=365 e=45 f=266 g=330 h=14 j=140 k=365 m=100 n=8 r=180 s=18 t=220 w=150	93</



PV

Vertical multistage centrifugal pump
Bomba centrífuga multietapa vertical
Pompe centrifuge multicellulaire verticale

50Hz n=2900 r/min

MODEL MODELO MODÈLE	DN mm	Power Potencia Puissance		Q=DELIVERY/CAUDAL/DÉBIT																							
		kw	hp	0	5	11	13	16	19	21	24	26	29	32	37	42	48	53	58	63	69	74	79				
				us gpm	0	5	11	13	16	19	21	24	26	29	32	37	42	48	53	58	63	69	74	79			
				l/min	0	20	40	50	60	70	80	90	100	110	120	140	160	180	200	220	240	260	280	300			
				m ³ /h	0	1.2	2.4	3	3.6	4.2	4.8	5.4	6	6.6	7.2	8.4	9.6	10.8	12	13.2	14.4	15.6	16.8	18			
				H=Head/Altura/Hauteur(m)																							
PV 4x7/1.5	25x25	1.1	1.5	60.7	56.8	52.1	49	45.9	42.8	38.9	35	30.3	25.7	20.2	-	-	-	-	-	-	-	-	-	-			
PV 4x9/2	25x25	1.5	2	78	73	67	63	59	55	50	45	39	33	26	-	-	-	-	-	-	-	-	-	-			
PV 4x13/3	25x25	2.2	3	113	105	96.8	91	85.2	79.4	72.2	65	56.3	47.7	37.5	-	-	-	-	-	-	-	-	-	-			
PV 4x16/4	25x25	3	4	139	130	119	112	105	97.8	88.9	80	69.3	58.7	46.2	-	-	-	-	-	-	-	-	-	-			
PV 6x5/1.5	32x32	1.1	1.5	44.4	-	-	-	135.5	33.3	30.9	28.4	26.1	23.4	20.2	14.3	6.8	-	-	-	-	-	-	-	-			
PV 6x8/2	32x32	1.5	2	71.1	-	-	-	56.7	53.2	49.5	45.5	41.8	37.5	32.4	22.9	10.9	-	-	-	-	-	-	-	-			
PV 6x11/3	32x32	2.2	3	97.7	-	-	-	78	73.2	68	62.5	57.5	51.5	44.5	31.5	15	-	-	-	-	-	-	-	-			
PV 6x15/4	32x32	3	4	133	-	-	-	106	99.8	92.7	85.2	78.4	70.2	60.7	43	20.5	-	-	-	-	-	-	-	-			
PV 8x4/1.5	40x40	1.1	1.5	36.8	-	-	-	-	-	30	28.4	27.2	26	24.4	21.2	17.6	13.2	9.2	4.8	-	-	-	-	-			
PV 8x7/2	40x40	1.5	2	64.4	-	-	-	-	-	52.5	49.7	47.6	45.5	42.7	37.1	30.8	23.1	16.1	8.4	-	-	-	-	-			
PV 8x9/3	40x40	2.2	3	82.8	-	-	-	-	-	67.5	63.9	61.2	58.5	54.9	47.7	39.6	29.7	20.7	10.8	-	-	-	-	-			
PV 8x12/4	40x40	3	4	110	-	-	-	-	-	90	85.2	81.6	78	73.2	63.6	52.8	39.6	27.6	14.4	-	-	-	-	-			
PV 8x16/5.5	40x40	4	5.5	147	-	-	-	-	-	120	114	109	104	97.6	84.8	70.4	52.8	36.8	19.2	-	-	-	-	-			
PV 12x3/1.5	50x50	1.1	1.5	31	-	-	-	-	-	-	-	25.4	24.7	24	22.4	20.6	18.4	16.2	13.3	10.9	8.3	5.1	2				
PV 12x5/2	50x50	1.5	2	51.7	-	-	-	-	-	-	-	42.4	41.2	40	37.3	34.3	30.7	27	22.2	18.2	13.8	8.5	3.3				
PV 12x7/3	50x50	2.2	3	72.3	-	-	-	-	-	-	-	59.3	57.6	56	52.3	48.1	43	37.8	31	25.5	19.4	11.9	4.7				
PV 12x9/4	50x50	3	4	93	-	-	-	-	-	-	-	76.2	74.1	72	67.2	61.8	55.2	48.6	39.9	32.8	24.9	15.4	6				
PV 12x12/5.5	50x50	4	5.5	122	-	-	-	-	-	-	-	102	98.8	96	89.6	82.4	73.6	64.8	53.2	43.8	33.2	20.5	8				
PV 12x17/7.5	50x50	5.5	7.5	176	-	-	-	-	-	-	-	144	140	136	127	117	104	91.8	75.4	62	47	29	11.3				

Performance curve in page/Curva en página/Courbe en page 170-171

NEW/NUEVO/NOUVEAU

DESCRIPTION/DESCRIPCIONES/DESCRIPTION

- New design noiseless, energy-saving multistage pump
- Ensuring durability and easy in operation
- A wide range of products will meet every requirement
- YE3 high efficient motor, with protection IP55 class F
- Impeller in techno-polimer
- Suction and discharge port in cast iron G20 thread
- Quality NSK bearing, wear resistance mechanical seal
- Compact and proportional design

- Nuevo diseño bomba que silencioso y ahorra energía
- Asegurando durabilidad y fácil operación
- Una amplia gama de productos satisfará todos los requisitos
- Motor de alta eficiencia YE3, con protección IP55 clase F
- Impulsor en tecnopolímero
- Puerto de succión y descarga en rosca G20 de hierro fundido
- Rodamiento de marca NSK y cierre mecánico personalizado
- El diseño compacto y proporcional

- Nouvelle conception de pompe silencieuse et économe
- Assurer la durabilité et facile à utiliser
- Une large gamme de produits répondra à toutes les exigences
- Moteur haute efficacité YE3, avec protection IP55 classe F
- Turbine en techno-polimer
- Orifice d'aspiration et de refoulement en filetage G20 fonte
- Roulement NSK qualité, joint mécanique résistance à l'usure
- La conception compacte et proportionnelle

APPLICATIONS/APLICACIONES/APPLICATIONS

- The high efficiency and noiseless operation which allows these pumps to be used in conditions households, irrigation, car washes, fire protection systems, air conditioning and lifting installations water pressure in the network.
- La alta eficiencia y el funcionamiento silencioso que permite que estas bombas se utilicen en hogares, riego, lavado de autos, sistemas de protección contra incendios, aire acondicionado e instalaciones de elevación de presión de agua en la red.
- Le rendement élevé et le fonctionnement silencieux qui permettent à ces pompes d'être utilisées dans des conditions domestiques, d'irrigation, de lave-autos, de systèmes de protection contre l'incendie, de climatisation et d'installations de levage sous pression d'eau dans le réseau.

USING LIMITS/LÍMITES UTILIZACIÓN/UTILISATION LIMITES

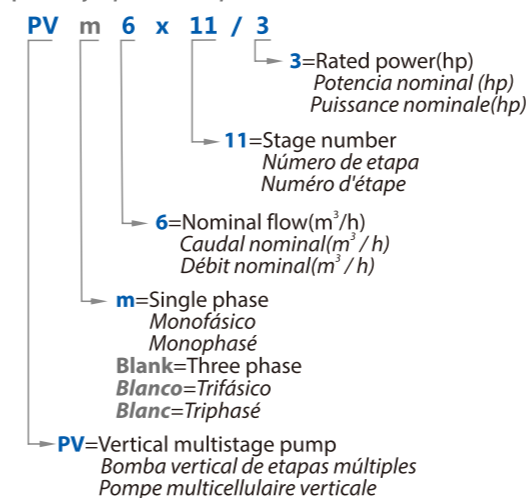
- Liquid temperature between -10°C and +120°C
- Ambient temperature between -10°C and +50°C
- Max. working pressure 25 bar
- Continuous service S1
- Temperatura del líquido de -10 °C hasta +120 °C
- Temperatura ambiente de -10 °C hasta +50 °C
- Presión máxima en el cuerpo de la bomba 25 bar
- Funcionamiento continuo S1
- Température du liquide entre -10 °C et +120 °C
- Température ambiante entre -10 °C et +50 °C
- Max. pression de service 25 bar
- Service continu S1

MODEL MODELO MODÈLE	DN mm	Power Potencia Puissance		Q=DELIVERY/CAUDAL/DÉBIT									
		kw	hp	0	26	53	79	106	132	159	185	211	
				us gpm	0	26	53	79	106	132	159	185	211
				l/min	0	100	200	300	400	500	600	700	800
				m ³ /h	0	6	12	18	24	30	36	42	48
				H=Head/Altura/Hauteur(m)									
PV 30x7/10	65x65	7.5	10	104	100	93	83	74	64	49	31	4	
PV 30x9/12	65x65	9.2	12.5	133	128	119	108	96	82	63	40	5	
PV 30x11/15	65x65	11	15	163	156	145	132	116	99	77	48	6	

Performance curve in page/Curva en página/Courbe en page 171

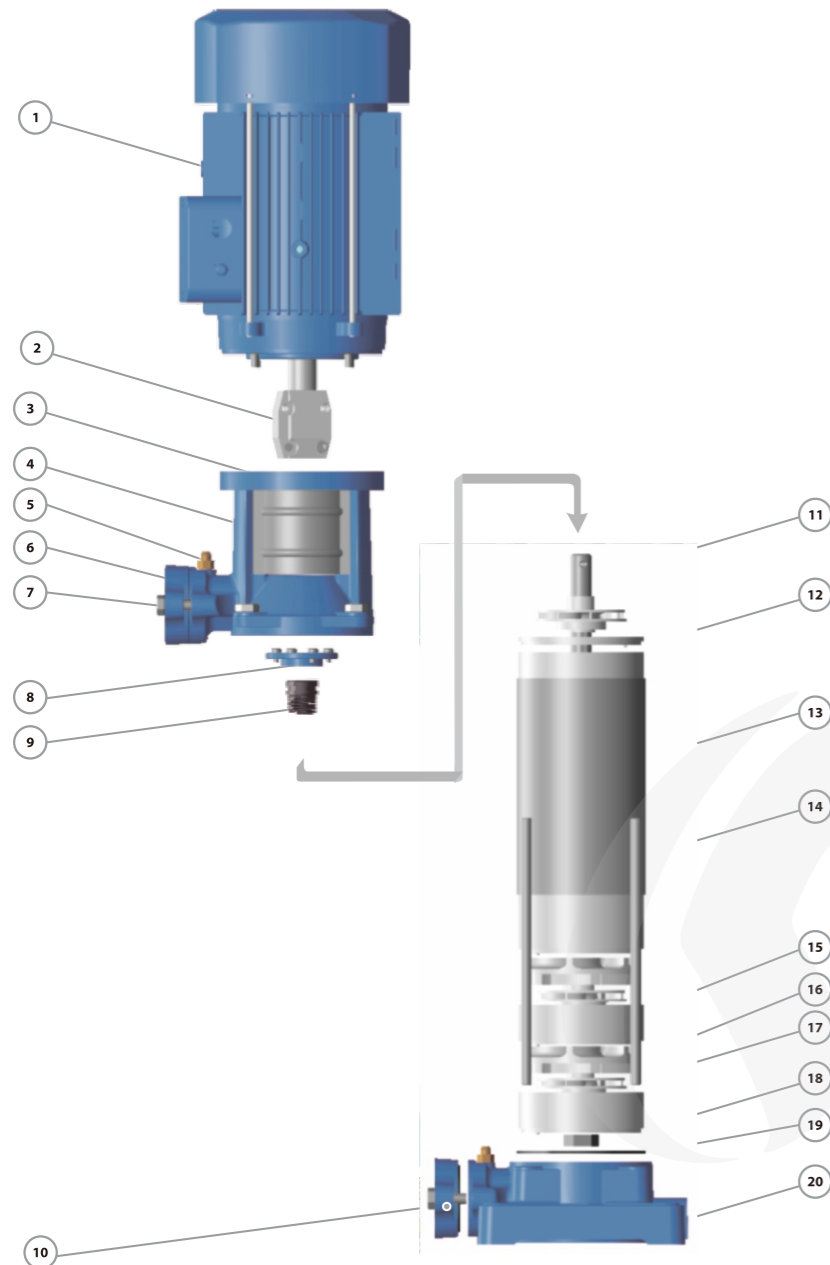
MODEL CODE/CÓDIGO MODELO/CODE MODÈLE

For example/Por ejemplo/Par exemple

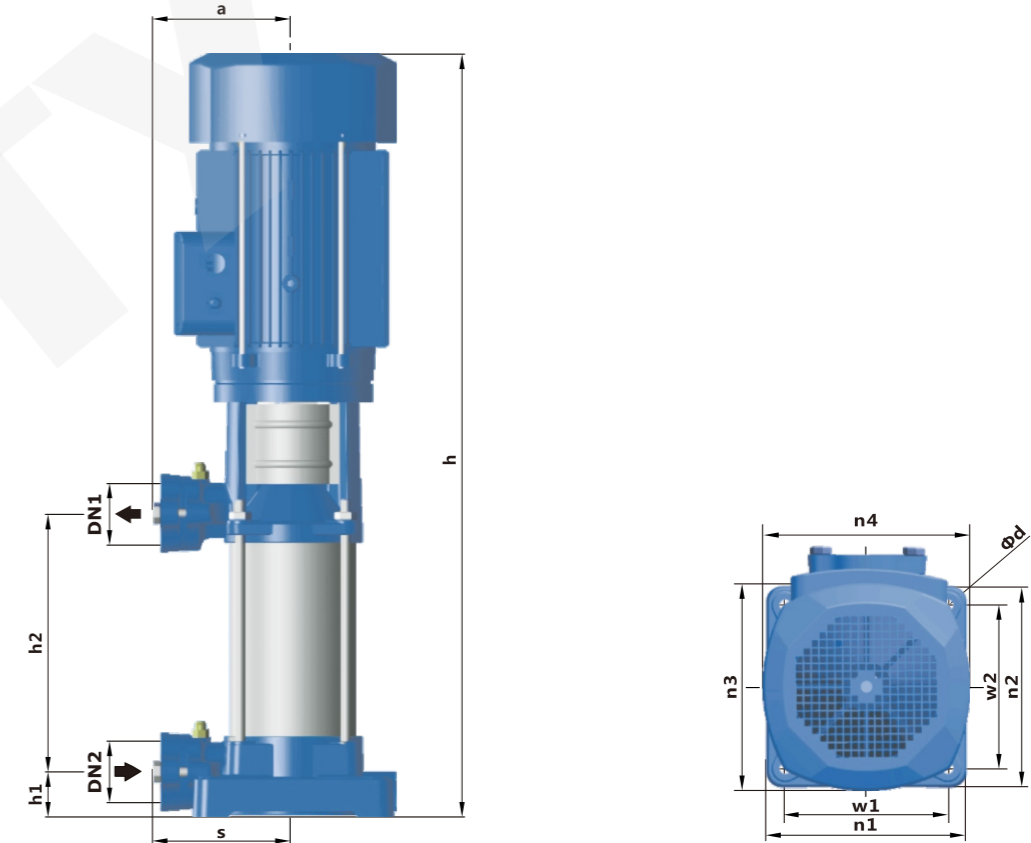


TECHNICAL SHEET/HOJA TÉCNICA/FICHE TECHNIQUE

Model/Modelo/Modèle	PV	
Capacity/Caudal/Débit	0-48	m ³ /h
Head/Altura/Hauteur	0-176	m
DN	25-65	mm
Speed/Velocidad/Vitesse	2900	rpm
T max	120	°C
Power/Potencia/Puiss.	1.1-11	kW
Voltage/Voltaje/Tension	220/380/400/440	V
HZ	50	
Class/Clase/Classe	Class F	
IP	IP 55	
Duty/Servicio/Devoir	S1 continuous	
Casing/Cuerpo/Corps	Grey Cast iron/Hierro fundido gris/Fonte grise	
Impeller/Impulsor/Roue	Plastic/Plástico/Plastique	
Shaft/Eje/Arbre	SS304/Inox 304/Inox 304	
Shaft seal/Sello/Scellé	Mechanical Seal/Sello mecánico/Garniture mécanique	



No.	Description Descripción Description	Material Material Matériel
1	Motor Motor Moteur	IP55 Class F IP55 Classe F IP55 classe F
2	Coupling Unión Couplage	Iron Hierro Le fer
3	Discharge Body Cuerpo Impulsión Corps de décharge	Cast iron Fundición Fonte
4	Cover Tapa Couverture	SS304 Inox 304 Inox 304
5	Release Valve Tapón Cebado Soupape de décharge	Brass Bronce Laiton
6	Discharge Impulsión Décharge	Cast iron Fundición Fonte
7	Bolt Perno Boulon	Steel Acero Acier
8	Seal Cover Tapa Cierre Couvercle de joint	Cast iron Fundición Fonte
9	Mechanical Seal Cierre Mecánico Garniture mécanique	SiC/Carbon/SS304 SiC/Grafito/Inox304 SiC/Carbon /Inox304
10	Suction Aspiración Succion	Cast iron Fundición Fonte
11	Pump Shaft Eje Arbre de pompe	SS304 Inox304 Inox304
12	Diffuser Top Cover Tapa Difusor Couvercle diffuseur	Technopolimer Tecnopolimero Technopolimer
13	Pump Cover Tapa Bomba Couvercle de pompe	SS304 Inox 304 Inox 304
14	Through Bolt Perno Traversant le boulon	Steel Acero Acier
15	Diffuser Cover Tapa Difusor Couvercle de diffuseur	Technopolimer with SS304 ring Tecnopolimero con Inox anillo Technopolimer avec anneau Inox
16	Diffuser Difusor Diffuseur	Technopolimer with SS304 ring Tecnopolimero con Inox anillo Technopolimer avec anneau Inox
17	Impeller Impulsor Roue	Technopolimer Tecnopolimero Technopolimer
18	Impeller Nut Tuerca de Impulsor Écrou de roue	Galvanized Steel Acero Galvanizado Acier Galvanisé
19	O-ring Junta Tórica Joint torique	Rubber Caucho Caoutchouc
20	Suction Body Cuerpo Aspiración Corps d'aspiration	Cast iron Fundición Fonte



MODEL MODELO MODÈLE	DIMENSIONS/DIMENSIONES/DIMENSIONS mm															kg	
	DN1	DN2	N	a	s	h	h1	h2	w1	w2	n1	n2	n3	n4	d	1~	3~
PV 4×7/1.5	25/32	25/32	7	141	141	720	45.5	261.5	165	165	202	202	175	175	12	28.0	27.0
PV 4×9/2	25/32	25/32	9	141	141	790	45.5	331.5	165	165	202	202	175	175	12	33.0	32.0
PV 4×13/3	25/32	25/32	13	141	141	930	45.5	471.5	165	165	202	202	175	175	12	38.0	37.0
PV 4×16/4	25/32	25/32	16	141	141	1082	45.5	576.5	165	165	202	202	195	195	12	48.0	47.0
PV 6×5/1.5	25/32	25/32	5	141	141	650	45.5	191.5	165	165	202	202	175	175	12	26.0	25.0
PV 6×8/2	25/32	25/32	8	141	141	755	45.5	296.5	165	165	202	202	175	175	12	31.0	30.0
PV 6×11/3	25/32	25/32	11	141	141	860	45.5	401.5	165	165	202	202	175	175	12	36.0	35.0
PV 6×15/4	25/32	25/32	15	141	141	1047	45.5	541.5	165	165	202	202	195	195	12	46.0	45.0
PV 8×4/1.5	40/50	40/50	4	141	141	615	45.5	156.5	165	165	202	202	175	175	12	26.0	25.0
PV 8×7/2	40/50	40/50	7	141	141	720	45.5	261.5	165	165	202	202	175	175	12	31.0	30.0
PV 8×9/3	40/50	40/50	9	141	141	790	45.5	331.5	165	165	202	202	175	175	12	36.0	35.0
PV 8×12/4	40/50	40/50	12	141	141	942	45.5	436.5	165	165	202	202	195	195	12	46.0	45.0
PV 8×16/5.5	40/50	40/50	16	141	141	1082	45.5	576.5	165	165	202	202	195	195	12	-	50.0
PV 12×3/1.5	40/50	40/50	3	141	141	580	45.5	121.5	165	165	202	202	175	175	12	25.0	24.0
PV 12×5/2	40/50	40/50	5	141	141	650	45.5	191.5	165	165	202	202	175	175	12	30.0	29.0
PV 12×7/3	40/50	40/50	7	141	141	720	45.5	261.5	165	165	202	202	175	175	12	35.0	34.0
PV 12×9/4	40/50	40/50	9	141	141	837	45.5	331.5	165	165	202	202	195	195	12	45.0	44.0
PV 12×12/5.5	40/50	40/50	12	141	141	942	45.5	436.5	165	165	202	202	195	195	12	-	50.0
PV 12×17/7.5	40/50	40/50	17	141	141	1167	45.5	611.5	165	165	202	202	204	204	12	-	60.0
PV 30×7/10	50/65	50/65	7	170	170	1046	62	416	187	187	230	230	260	260	12	-	86.0
PV 30×9/12	50/65	50/65	9	170	170	1153	62	523	187	187	230	230	260	260	12	-	92.0
PV 30×11/15	50/65	50/65	11	170	170	1260	62	630	187	187	230	230	260	260	12	-	100



PBWS

Non-negative pressure water supply system
 Sistema de suministro de agua presión no negativa
 Système d'alimentation en eau à pression non négative



NEW/NUEVO/NOUVEAU

DESCRIPTION/DESCRIPCIONES/DESCRIPTION

- ◆ A brand-new water supply system
 - ◆ Equipped with a water tank of a certain volume
 - ◆ Tank made of the stainless steel in food class.
 - ◆ Equipped with a water supply quality pump unit
 - ◆ The water supply pump unit is independent from the water tank, easy to be maintained and cleaned.
 - ◆ Equipped with a negative pressure preventing module
 - ◆ Equipped with a multi-function control panel
- ◆ Un nuevo sistema de suministro de agua.
 - ◆ Equipado con un tanque de agua de un cierto volumen.
 - ◆ Tanque hecho del acero inoxidable en la clase de alimentos.
 - ◆ Equipado con una unidad bombeo de calidad de suministro de agua.
 - ◆ La unidad de bombeo de suministro de agua es independiente de la depósito de agua, fácil de mantener y limpiar.
 - ◆ Equipado con un módulo de prevención de presión negativa.
 - ◆ Equipado con un panel de control multifunción
- ◆ Un tout nouveau système d'alimentation en eau
 - ◆ Equipé d'un réservoir d'eau d'un certain volume
 - ◆ Réservoir en acier inoxydable dans la classe alimentaire.
 - ◆ Equipé d'une pompe de qualité d'alimentation en eau
 - ◆ La pompe d'alimentation en eau est indépendante de l'eau réservoir, facile à entretenir et à nettoyer.
 - ◆ Equipé d'un module empêchant la pression négative
 - ◆ Equipé d'un panneau de commande multifonction

APPLICATIONS/APLICACIONES/APPLICATIONS

- ◆ The PBWS series are suitable for those areas with relatively unstable municipal pipe network, long water used peak time and a very strict requirement on the noise, such as hospital, school etc
- ◆ La serie PBWS es adecuada para aquellas áreas con redes de tuberías municipales relativamente inestables, horas pico de uso de agua prolongado y un requisito muy estricto sobre el ruido, como hospitales, escuelas, etcétera
- ◆ La série PBWS convient aux zones à instabilité relative réseau de canalisations municipales, eau longue utilisée aux heures de pointe et exigence très stricte sur le bruit, comme l'hôpital, l'école, etc.

USING LIMITS/LÍMITES UTILIZACIÓN/UTILISATION LIMITES

- ◆ Liquid temperature between **-10°C** and **+120°C**
- ◆ Ambient temperature between **0°C** and **+50°C**
- ◆ Max. working pressure **25 bar/Continuo S1**
- ◆ Temperatura del líquido de **-10 °C** hasta **+120 °C**
- ◆ Temperatura ambiente de **0 °C** hasta **+50 °C**
- ◆ Presión máxima **25 bar/Continuo S1**
- ◆ Température du liquide entre **-10 °C** et **+120 °C**
- ◆ Température ambiante entre **0 °C** et **+50 °C**
- ◆ Max. pression de service **25 bar/Continu S1**

TECHNICAL DATA/DATOS TÉCNICOS/DONNÉES TECHNIQUES

50Hz n=2900r/min

MODEL MODELO MODÈLE	Flow Caudal Débit m ³ /h	Head Altura Hauteur m	Pump Bomba Pompe	Power Potencia Puiss kw	Tank size ΦxL	User no.
PBWS15/8-2C	8	15	PVT4-2	0.37	Φ600x1.3	25
PBWS24/8-2C	8	24	PVT4-3	0.55	Φ600x1.3	25
PBWS32/8-2C	8	32	PVT4-4	0.75	Φ600x1.3	25
PBWS40/8-2C	8	40	PVT4-5	1.1	Φ600x1.3	25
PBWS48/8-2C	8	48	PVT4-6	1.1	Φ600x1.3	25
PBWS56/8-2C	8	56	PVT4-7	1.5	Φ600x1.3	25
PBWS64/8-2C	8	64	PVT4-8	1.5	Φ600x1.3	25
PBWS81/8-2C	8	81	PVT4-10	2.2	Φ600x1.3	25
PBWS95/8-2C	8	95	PVT4-12	2.2	Φ600x1.3	25
PBWS112/8-2C	8	112	PVT4-14	3	Φ600x1.3	25
PBWS129/8-2C	8	129	PVT4-16	3	Φ600x1.3	25
PBWS153/8-2C	8	153	PVT4-19	4	Φ600x1.3	25
PBWS178/8-2C	8	178	PVT4-22	4	Φ600x1.3	25
PBWS18/16-2C	16	18	PVT8-2	0.75	Φ600x1.3	80
PBWS27/16-2C	16	27	PVT8-3	1.1	Φ600x1.3	80
PBWS36/16-2C	16	36	PVT8-4	1.5	Φ600x1.3	80
PBWS45/16-2C	16	45	PVT8-5	2.2	Φ600x1.3	80
PBWS54/16-2C	16	54	PVT8-6	2.2	Φ600x1.3	80
PBWS73/16-2C	16	73	PVT8-8	3	Φ600x1.3	80
PBWS92/16-2C	16	92	PVT8-10	4	Φ600x1.3	80
PBWS111/16-2C	16	111	PVT8-12	4	Φ600x1.3	80
PBWS130/16-2C	16	130	PVT8-14	5.5	Φ600x1.3	80
PBWS148/16-2C	16	148	PVT8-16	5.5	Φ600x1.3	80
PBWS167/16-2C	16	167	PVT8-18	7.5	Φ600x1.3	80
PBWS186/16-2C	16	186	PVT8-20	7.5	Φ600x1.3	80
PBWS20/24-2C	24	20	PVT12-2	1.5	Φ800x1.5	150
PBWS30/24-2C	24	30	PVT12-3	2.2	Φ800x1.5	150
PBWS40/24-2C	24	40	PVT12-4	3	Φ800x1.5	150
PBWS50/24-2C	24	50	PVT12-5	3	Φ800x1.5	150
PBWS60/24-2C	24	60	PVT12-6	4	Φ800x1.5	150
PBWS70/24-2C	24	70	PVT12-7	5.5	Φ800x1.5	150
PBWS80/24-2C	24	80	PVT12-8	5.5	Φ800x1.5	150
PBWS91/24-2C	24	91	PVT12-9	5.5	Φ800x1.5	150
PBWS101/24-2C	24	101	PVT12-10	7.5	Φ800x1.5	150
PBWS121/24-2C	24	121	PVT12-12	7.5	Φ800x1.5	150
PBWS141/24-2C	24	141	PVT12-14	11	Φ800x1.5	150
PBWS162/24-2C	24	162	PVT12-16	11	Φ800x1.5	150
PBWS183/24-2C	24	183	PVT12-18	11	Φ800x1.5	150
PBWS22.5/30-2C	30	22.5	PVT15-2	2.2	Φ800x1.5	220
PBWS34/30-2C	30	34	PVT15-3	3	Φ800x1.5	220
PBWS45/30-2C	30	45	PVT15-4	4	Φ800x1.5	220
PBWS57/30-2C	30	57	PVT15-5	4	Φ800x1.5	220
PBWS69/30-2C	30	69	PVT15-6	5.5	Φ800x1.5	220
PBWS81/30-2C	30	81	PVT15-7	5.5	Φ800x1.5	220
PBWS93/30-2C	30	93	PVT15-8	7.5	Φ800x1.5	220
PBWS106/30-2C	30	106	PVT15-9	7.5	Φ800x1.5	220
PBWS118/30-2C	30	118	PVT15-10	11	Φ800x1.5	220
PBWS142/30-2C	30	142	PVT15-12	11	Φ800x1.5	220
PBWS165/30-2C	30	165	PVT15-14	11	Φ800x1.5	220
PBWS201/30-2C	30	201	PVT15-17	15	Φ800x1.5	220

MODEL MODELO MODÈLE	Flow Caudal Débit m ³ /h	Head Altura Hauteur m	Pump Bomba Pompe	Power Potencia Puiss kw	Tank size ΦxL	User no.
PBWS23/40-2C	40	23	PVT20-2	2.2	Φ800x1.5	260
PBWS35/40-2C	40	35	PVT20-3	4	Φ800x1.5	260
PBWS47/40-2C	40	47	PVT20-4	5.5	Φ800x1.5	260
PBWS58/40-2C	40	58	PVT20-5	5.5	Φ800x1.5	260
PBWS70/40-2C	40	70	PVT20-6	7.5	Φ800x1.5	260
PBWS82/40-2C	40	82	PVT20-7	7.5	Φ800x1.5	260
PBWS94/40-2C	40	94	PVT20-8	11	Φ800x1.5	260
PBWS118/40-2C	40	118	PVT20-10	11	Φ800x1.5	260
PBWS142/40-2C	40	142	PVT20-12	15	Φ800x1.5	260
PBWS166/40-2C	40	166	PVT20-14	15	Φ800x1.5	260
PBWS202/40-2C	40	202	PVT20-17	18.5	Φ1000x2.0	260
PBWS27/64-2C	64	27	PVT32-20	4	Φ1000x2.0	500
PBWS40/64-2C	64	40	PVT32-30	5.5	Φ1000x2.0	500
PBWS53/64-2C	64	53	PVT32-40	7.5	Φ1000x2.0	500
PBWS67/64-2C	64	67	PVT32-50	11	Φ1000x2.0	500
PBWS81/64-2C	64	81	PVT32-60	11	Φ1000x2.0	500
PBWS95/64-2C	64	95	PVT32-70	15	Φ1000x2.0	500
PBWS109/64-2C	64	109	PVT32-80	15	Φ1000x2.0	500
PBWS124/64-2C	64	124	PVT32-90	18.5	Φ1000x2.0	500
PBWS138/64-2C	64	138	PVT32-100	18.5	Φ1000x2.0	500
PBWS153/64-2C	64	153	PVT32-110	22	Φ1000x2.0	500
PBWS167/64-2C	64	167	PVT32-120	22	Φ1000x2.0	500
PBWS184/64-2C	64	184	PVT32-130	30	Φ1000x2.0	500
PBWS196/64-2C	64	196	PVT32-140	30	Φ1000x2.0	500
PBWS41/84-2C	84	41	PVT42-20	7.5	Φ1000x2.0	600
PBWS61/84-2C	84	61	PVT42-30	11	Φ1000x2.0	600
PBWS81/84-2C	84	81	PVT42-40	15	Φ1000x2.0	600
PBWS101/84-2C	84	101	PVT42-50	18.5	Φ1000x2.0	600
PBWS122/84-2C	84	122	PVT42-60	22	Φ1000x2.0	600
PBWS142/84-2C	84	142	PVT42-70	30	Φ1000x2.0	600
PBWS162/84-2C	84	162	PVT42-80	30	Φ1000x2.0	600
PBWS183/64-2C	84	183	PVT42-90	37	Φ1000x2.0	600
PBWS203/64-2C	84	203	PVT42-100	37	Φ1000x2.0	600
PBWS225/84-2C	84	225	PVT42-110	45	Φ1000x2.0	600
PBWS238/84-2C	84	238	PVT42-120-2	45	Φ1000x2.0	600
PBWS247/84-2C	84	247	PVT42-120	45	Φ1000x2.0	600
PBWS259/84-2C	84	259	PVT42-130-2	45	Φ1000x2.0	600
PBWS26/130-2C	130	26	PVT65-20-2	7.5	Φ1200x2.0	1200
PBWS40/130-2C	130	40	PVT65-20	11	Φ1200x2.0	1200
PBWS60/130-2C	130	60	PVT65-30	18.5	Φ1200x2.0	1200
PBWS80/130-2C	130	80	PVT65-40	22	Φ1200x2.0	1200
PBWS95/130-2C	130	95	PVT65-50-1	30	Φ1200x2.0	1200
PBWS102/130-2C	130	102	PVT65-50	30	Φ1200x2.0	1200
PBWS110/130-2C	130	110	PVT65-60-2	30	Φ1200x2.0	1200
PBWS24/130-2C	130	124	PVT65-60	37	Φ1200x2.0	1200
PBWS132/130-2C	130	132	PVT65-70-2	37	Φ1200x2.0	1200
PBWS146/130-2C	130	146	PVT65-70	45	Φ1200x2.0	1200
PBWS154/130-2C	130	154	PVT68-80-2	45	Φ1200x2.0	1200
PBWS161/130-2C	130	161	PVT65-80-1	45	Φ1200x2.0	1200

TECHNICAL DATA/DATOS TÉCNICOS/DONNÉES TECHNIQUES

50Hz n=2900r/min

MODEL MODELO MODÈLE	Flow Caudal Débit	Head Altura Hauteur	Pump Bomba Pompe	Power Potencia Puiss.	Tank size	User no.
	m ³ /h	m		kw	ΦxL	
PBWS20/170-2C	170	20	PVT85-10	7.5	Φ1200x2.0	1600
PBWS30/170-2C	170	30	PVT85-20-2	11	Φ1200x2.0	1600
PBWS41/170-2C	170	41	PVT85-20	15	Φ1200x2.0	1600
PBWS52/170-2C	170	52	PVT85-30-2	18.5	Φ1200x2.0	1600
PBWS64/170-2C	170	64	PVT85-30	22	Φ1200x2.0	1600
PBWS75/170-2C	170	75	PVT85-40-2	30	Φ1200x2.0	1600
PBWS86/170-2C	170	86	PVT85-40	30	Φ1200x2.0	1600
PBWS98/170-2C	170	98	PVT85-50-2	37	Φ1200x2.0	1600
PBWS110/170-2C	170	110	PVT85-50	37	Φ1200x2.0	1600
PBWS122/170-2C	170	122	PVT85-60-2	45	Φ1200x2.0	1600
PBWS134/170-2C	170	134	PVT85-60	45	Φ1200x2.0	1600
PBWS15/12-3C	12	15	PVT4-2	0.37	Φ600x1.3	50
PBWS24/12-3C	12	24	PVT4-3	0.55	Φ600x1.3	50
PBWS32/12-3C	12	32	PVT4-4	0.75	Φ600x1.3	50
PBWS40/12-3C	12	40	PVT4-5	1.1	Φ600x1.3	50
PBWS48/12-3C	12	48	PVT4-6	1.1	Φ600x1.3	50
PBWS56/12-3C	12	56	PVT4-7	1.5	Φ600x1.3	50
PBWS64/12-3C	12	64	PVT4-8	1.5	Φ600x1.3	50
PBWS81/12-3C	12	81	PVT4-10	2.2	Φ600x1.3	50
PBWS95/12-3C	12	95	PVT4-12	2.2	Φ600x1.3	50
PBWS112/12-3C	12	112	PVT4-14	3	Φ600x1.3	50
PBWS129/12-3C	12	129	PVT4-16	3	Φ600x1.3	50
PBWS153/12-3C	12	153	PVT4-19	4	Φ600x1.3	50
PBWS178/12-3C	12	178	PVT4-22	4	Φ600x1.3	50
PBWS18/24-3C	24	18	PVT8-2	0.75	Φ800x1.5	150
PBWS27/24-3C	24	27	PVT8-3	1.1	Φ800x1.5	150
PBWS36/24-3C	24	36	PVT8-4	1.5	Φ800x1.5	150
PBWS45/24-3C	24	45	PVT8-5	2.2	Φ800x1.5	150
PBWS54/24-3C	24	54	PVT8-6	2.2	Φ800x1.5	150
PBWS73/24-3C	24	73	PVT8-8	3	Φ800x1.5	150
PBWS92/34-3C	24	92	PVT8-10	4	Φ800x1.5	150
PBWS111/24-3C	24	111	PVT8-12	4	Φ800x1.5	150
PBWS130/24-3C	24	130	PVT8-14	5.5	Φ800x1.5	150
PBWS148/24-3C	24	148	PVT8-16	5.5	Φ800x1.5	150
PBWS167/24-3C	24	167	PVT8-18	7.5	Φ800x1.5	150
PBWS186/24-3C	24	186	PVT8-20	7.5	Φ800x1.5	150
PBWS20/36-3C	36	20	PVT12-2	1.5	Φ800x1.5	220
PBWS30/36-3C	36	30	PVT12-3	2.2	Φ800x1.5	220
PBWS40/36-3C	36	40	PVT12-4	3	Φ800x1.5	220
PBWS50/36-3C	36	50	PVT12-5	3	Φ800x1.5	220
PBWS60/36-3C	36	60	PVT12-6	4	Φ800x1.5	220
PBWS70/36-3C	36	70	PVT12-7	5.5	Φ800x1.5	220
PBWS80/36-3C	36	80	PVT12-8	5.5	Φ800x1.5	220
PBWS91/36-3C	36	91	PVT12-9	5.5	Φ800x1.5	220
PBWS101/36-3C	36	101	PVT12-10	7.5	Φ800x1.5	220
PBWS121/36-3C	36	121	PVT12-12	7.5	Φ800x1.5	220
PBWS141/36-3C	36	141	PVT12-14	11	Φ800x1.5	220
PBWS162/36-3C	36	162	PVT12-16	11	Φ800x1.5	220
PBWS183/36-3C	36	183	PVT12-18	11	Φ800x1.5	220

TECHNICAL DATA/DATOS TÉCNICOS/DONNÉES TECHNIQUES

50Hz n=2900r/min

MODEL MODELO MODÈLE	Flow Caudal Débit	Head Altura Hauteur	Pump Bomba Pompe	Power Potencia Puiss.	Tank size	User no.
	m ³ /h	m		kw	ΦxL	
PBWS40/195-3C	195	40	PVT65-20	11	Φ1200x2.0	1600
PBWS60/195-3C	195	60	PVT65-30	18.5	Φ1200x2.0	1600
PBWS80/195-3C	195	80	PVT65-40	22	Φ1200x2.0	1600
PBWS95/195-3C	195	95	PVT65-50-1	30	Φ1200x2.0	1600
PBWS102/195-3C	195	102	PVT65-50	30	Φ1200x2.0	1600
PBWS110/195-3C	195	110	PVT65-60-2	30	Φ1200x2.0	1600
PBWS124/195-3C	195	124	PVT65-60	37	Φ1200x2.0	1600
PBWS132/195-3C	195	132	PVT65-70-2	37	Φ1200x2.0	1600
PBWS146/195-3C	195	146	PVT65-70	45	Φ1200x2.0	1600
PBWS154/195-3C	195	154	PVT65-80-2	45	Φ1200x2.0	1600
PBWS161/195-3C	195	161	PVT65-80-1	45	Φ1200x2.0	1600
PBWS20/255-3C	255	20	PVT85-10	7.5	Φ1400x2.5	2200
PBWS30/255-3C	255	30	PVT85-20-2	11	Φ1400x2.5	2200
PBWS41/255-3C	255	41	PVT85-20	15	Φ1400x2.5	2200
PBWS52/255-3C	255	52	PVT85-30-2	18.5	Φ1400x2.5	2200
PBWS64/255-3C	255	64	PVT85-30	22	Φ1400x2.5	2200
PBWS75/255-3C	255	75	PVT85-40-2	30	Φ1400x2.5	2200
PBWS86/255-3C	255	86	PVT85-40	30	Φ1400x2.5	2200
PBWS98/255-3C	255	98	PVT85-50-2	37	Φ1400x2.5	2200
PBWS110/255-3C	255	110	PVT85-50	37	Φ1400x2.5	2200
PBWS122/255-3C	255	122	PVT85-60-2	45	Φ1400x2.5	2200
PBWS134/255-3C	255	134	PVT85-60	45	Φ1400x2.5	2200
PBWS33/8-2G	8	33	25GDL4-11x3	1.1	Φ600x1.3	25
PBWS44/8-2G	8	44	25GDL4-11x4	1.5	Φ600x1.3	25
PBWS55/8-2G	8	55	25GDL4-11x5	2.2	Φ600x1.3	25
PBWS66/8-2G	8	66	25GDL4-11x6	2.2	Φ600x1.3	25
PBWS77/8-2G	8	77	25GDL4-11x7	3	Φ600x1.3	25
PBWS88/8-2G	8	88	25GDL4-11x8	3	Φ600x1.3	25
PBWS99/8-2G	8	99	25GDL4-11x9	3	Φ600x1.3	25
PBWS110/8-2G	8	110	25GDL4-11x10	4	Φ600x1.3	25
PBWS121/8-2G	8	121	25GDL4-11x11	4	Φ600x1.3	25
PBWS132/8-2G	8	132	25GDL4-11x12	4	Φ600x1.3	25
PBWS36/12-2G	12	36	40GDL6-12x3	1.5	Φ600x1.3	60
PBWS48/12-2G	12	48	40GDL6-12x4	2.2	Φ600x1.3	60
PBWS60/12-2G	12	60	40GDL6-12x5	2.2	Φ600x1.3	60
PBWS72/12-2G	12	72	40GDL6-12x6	3	Φ600x1.3	60
PBWS84/12-2G	12	84	40GDL6-12x7	3	Φ600x1.3	60
PBWS96/12-2G	12	96	40GDL6-12x8	4	Φ600x1.3	60
PBWS108/12-2G	12	108	40GDL6-12x9	4	Φ600x1.3	60
PBWS120/12-2G	12	120	40GDL6-12x10	4	Φ600x1.3	60
PBWS132/12-2G	12	132	40GDL6-12x11	5.5	Φ600x1.3	60
PBWS144/12-2G	12	144	40GDL6-12x12	5.5	Φ600x1.3	60
PBWS30/24-2G	24	30	50GDL12-15x2	2.2	Φ800x1.5	150
PBWS45/24-2G	24	45	50GDL12-15x3	3	Φ800x1.5	150
PBWS60/24-2G	24	60	50GDL12-15x4	4	Φ800x1.5	150
PBWS75/24-2G	24	75	50GDL12-15x5	5.5	Φ800x1.5	150
PBWS90/24-2G	24	90	50GDL12-15x6	5.5	Φ800x1.5	150
PBWS105/24-2G	24	105	50GDL12-15x7	7.5	Φ800x1.5	150
PBWS120/24-2G	24	120	50GDL12-15x8	7.5	Φ800x1.5	150

MODEL MODELO MODÈLE	Flow Caudal Débit	Head Altura Hauteur	Pump Bomba Pompe	Power Potencia Puiss.	Tank size	User no.
	m ³ /h	m		kw	ΦxL	
PBWS135/24-2G	24	135	50GDL12-15x9	11	Φ800x1.5	150
PBWS150/24-2G	24	150	50GDL12-15x10	11	Φ800x1.5	150
PBWS30/36-2G	36	30	50GDL18-15x2	3	Φ800x1.5	200
PBWS45/36-2G	36	45	50GDL18-15x3	4	Φ800x1.5	200
PBWS60/36-2G	36	60	50GDL18-15x4	5.5	Φ800x1.5	200
PBWS75/36-2G	36	75	50GDL18-15x5	7.5	Φ800x1.5	200
PBWS90/36-2G	36	90	50GDL18-15x6	7.5	Φ800x1.5	200
PBWS105/36-2G	36	105	50GDL18-15x7	11	Φ800x1.5	200
PBWS120/36-2G	36	120	50GDL18-15x8	11	Φ800x1.5	200
PBWS135/36-2G	36	135	50GDL18-15x9	15	Φ800x1.5	200
PBWS150/36-2G	36	150	50GDL18-15x10	15	Φ800x1.5	200
PBWS24/48-2G	48	24	50GDL24-12x2	3	Φ800x1.5	300
PBWS36/48-2G	48	36	50GDL24-12x3	4	Φ800x1.5	300
PBWS48/48-2G	48	48	50GDL24-12x4	5.5	Φ800x1.5	300
PBWS60/48-2G	48	60	65GDL24-12x5	7.5	Φ800x1.5	300
PBWS72/48-2G	48	72	65GDL24-12x6	7.5	Φ800x1.5	300
PBWS84/48-2G	48	84	65GDL24-12x7	11	Φ800x1.5	300
PBWS96/48-2G	48	96	65GDL24-12x8	11	Φ800x1.5	300
PBWS108/48-2G	48	108	65GDL24-12x9	15	Φ800x1.5	300
PBWS120/48-2G	48	120	65GDL24-12x10	15	Φ800x1.5	300
PBWS24/72-2G	72	24	80GDL36-12x2	4	Φ1000x2.0	500
PBWS36/72-2G	72	36	80GDL36-12x3	5.5	Φ1000x2.0	500
PBWS48/72-2G	72	48	80GDL36-12x4	7.5	Φ1000x2.0	500
PBWS60/72-2G	72	60	80GDL36-12x5	11	Φ1000x2.0	500
PBWS72/72-2G	72	72	80GDL36-12x6	11	Φ1000x2.0	500
PBWS84/72-2G	72	84	80GDL36-12x7	15	Φ1000x2.0	500
PBWS96/72-2G	72	96	80GDL36-12x8	15	Φ1000x2.0	500
PBWS108/72-2G	72	108	80GDL36-12x9	18.5	Φ1000x2.0	500
PBWS120/72-2G	72	120	80GDL36-12x10	18.5	Φ1000x2.0	500
PBWS28/108-2G	108	28	80GDL54-14x2	7.5	Φ1200x2.0	800
PBWS42/108-2G	108	42	80GDL54-14x3	11	Φ1200x2.0	800
PBWS56/108-2G	108	56	80GDL54-14x4	15	Φ1200x2.0	800
PBWS70/108-2G	108	70	80GDL54-14x5	18.5	Φ1200x2.0	800
PBWS84/108-2G	108	84	80GDL54-14x6	18.5	Φ1200x2.0	800
PBWS98/108-2G	108	98	80GDL54-14x7	22	Φ1200x2.0	800
PBWS112/108-2G	108	112	80GDL54-14x8	30	Φ1200x2.0	800
PBWS126/108-2G	108	126	80GDL54-14x9	30	Φ1200x2.0	800
PBWS140/108-2G	108	140	80GDL54-14x10	37	Φ1200x2.0	800
PBWS28/144-2G	144	28	100GDL72-14x2	11	Φ1200x2.0	1200
PBWS42/144-2G	144	42	100GDL72-14x3	15	Φ1200x2.0	1200
PBWS56/144-2G	144	56	100GDL72-14x4	18.5	Φ1200x2.0	1200
PBWS70/144-2G	144	70	100GDL72-14x5	22	Φ1200x2.0	1200
PBWS84/144-2G	144	84	100GDL72-14x6	30	Φ1200x2.0	1200
PBWS98/144-2G	144	98	100GDL72-14x7	30	Φ1200x2.0	1200
PBWS112/144-2G	144	112	100GDL72-14x8	37	Φ1200x2.0	1200
PBWS126/144-2G	144	126	100GDL72-14x9	37	Φ1200x2.0	1200
PBWS140/144-2G	144	140	100GDL72-14x10	45	Φ1200x2.0	1200



GENERAL SALES CONDITIONS

1) ORDERS: Any order sent to us, whether by our representatives or by letter, telephone or fax, will be considered definite only after our regular acceptance in writing. 2) DELIVERY: The terms indicated for delivery are not binding but subject to manufacturing factors and unforeseeable circumstances (trade unions unrest, breakdown of machinery, late delivery by our suppliers, general unavailability of raw materials, fire, flood or other forces majeure). Any delay which might occur will not give rise on the part of the purchaser of the right to annul the order or to claim damages. 3) TRANSPORT: Goods travel at the customer's risk even if the price is stated as carriage free. The vendor will not be liable for the underweight goods or damage caused during transit as the carrier is exclusively liable in such cases and it is to him that the receiving party must promptly address a right informative notice in writing to this to the dealer. After 8 days have passed from receipt of the goods, no claims are in any case admissible. 4) PRICES: The prices are to be understood as net of tax duties and may be changed without notice. 5) RIGHT OF PROPERTY: The goods property belongs to the manufacturer and it is not acquired by the customer until the complete payment is made for the goods, and for any interest and costs involved. In case of payment not honoured, goods will, on the manufacturer's express request, be promptly sent back to the stores in free port indicated by the manufacturer. In any case the manufacturer reserves the right to charge the customer with the cost of restoration and renewal of returned goods. 6) PAYMENTS: Payments must be effected at due dates and in the terms agreed at our Headquarters. Payments made to agents, representatives or others are not recognized even by bills unless there is an express written authority by the manufacturer. In case of payment by instalments the failure to pay even one instalment allows the manufacturer to require the balance immediately plus the interest accrued at the average rate in force for the period. 7) BLOCKAGE OF CLAIMS: The customer may not, for any reason, delay or suspend payments owed on any account even if claims or disputes have arisen, nor may he start or take legal action of any kind if he has not first paid by the terms and in the terms agreed. 8) TECHNICAL CHARACTERISTICS: The technical data and characteristics stated in all the manufacturer's official publications refer to indicative nominal values. For specific needs and on explicit demand, the manufacturer can provide detailed technical sheets from which the internal acceptance criteria of the product can be deduced. The manufacturer reserves the right to make any modification without prior notice. Therefore weights, dimensions, performances and any other stated issues are indicative only and not binding.



CONDICIONES GENERALES DE VENTA

1) PEDIDOS: Cualquier pedido transmitido, ya sea por medio de nuestros agentes, ya por medio de carta, teléfono o fax, se considera definitivo sólo después de nuestra regular aceptación por escrito. 2) ENTREGA: Los términos indicados para la entrega no resultan obligativos sino que están sometidos a las posibilidades de fabricación o a fuerzas mayores (movimientos sindicales, averías de las maquinarias, entrega retrasada por parte de los proveedores, condiciones generales por las que las materias primas resultan imposibles de hallar, incendios, inundaciones o otras fuerzas mayores). Un retraso eventual no puede resultar por parte del comprador en cancelación del pedido ni en pretensión de indemnización. 3) ENVIO: La mercancía viaja por cuenta y riesgo del remitente aun si su precio está fijado franco domicilio del comprador. No responde de algún daño debido a falta de peso o a averías de viaje ya que por eso resulta responsable solamente y exclusivamente el transportista al que el destinatario debe rápidamente elevar reserva antes de retirar la mercancía y de eso dar comunicación por escrito también al cesionario. Transcurridos 8 días de la data de recepción de la mercancía no se admiten más reclamaciones. 4) PRECIOS: Los precios se entienden libres de gravámenes fiscales y pueden variarse sin previo aviso. 5) RESERVA DE PROPIEDAD: La propiedad de los bienes entregados es del fabricante y pasa al cliente sólo después del pago integral del precio, de los intereses y de los gastos debidos. En caso de incumplimiento la mercancía será, sobre expreso pedido del fabricante, rápidamente devuelta a los depósitos del fabricante indicados puerto franco. El fabricante se reserva el derecho de adeudar al cliente los gastos soportados para la regeneración y renovación del material devuelto. 6) PAGOS: Los pagos deben efectuarse al vencimiento y según las modalidades establecidas, a nuestra sede. No se reconocen pagos efectuados a agentes, representantes o otras personas aun si por medio de efectos, salvo expresa autorización del fabricante por escrito. En caso de pago dilacionado, la falta de pago aun de una rata solamente permite al fabricante de exigir el saldo inmediato del crédito residuo añadido de los intereses devengados al tipo medio en vigor en aquel período. 7) ACCION PROHIBIDA: El cliente no puede por ninguna razón retrasar o suspender los pagos debidos a cualquier título, aun si hubieran reclamaciones o contestaciones, ni puede entablar o continuar acciones judiciales de cualquier tipo si antes no haya tomado medidas para el pago dentro de los términos y según las modalidades establecidas. 8) CARACTERISTICAS TECNICAS: Los datos y las características citadas en todas las publicaciones oficiales del fabricante, se refieren a valores nominales indicativos. Para responder a específicas necesidades y bajo explícita demanda, el fabricante dispone de fichas técnicas detalladas donde se pueden deducir los criterios de aceptación interna del producto. El fabricante se reserva el derecho de aportar cualquier modificación sin previo aviso: por lo tanto pesos, medidas, prestaciones y demás informaciones no son vinculantes sino que indicativos.



CONDITIONS GENERALES DE VENTE

1) COMMANDES: Toute commande, faite par l'intermédiaire de nos agents, par lettre, par téléphone ou encore par télécopie, doit être considérée définie seulement après acceptation écrite de notre part. 2) LIVRAISON: Les délais indiqués pour la livraison ne nous engagent pas, mais ils sont subordonnés aux possibilités de fabrication et aux cas de force majeure (agitations syndicales, dégâts aux machineries, livraison différée de la part des fournisseurs, situations générales d'impossibilité de trouver les matières premières, incendies, inondations, ou d'autres causes de force majeure). Un retard éventuel ne peut pas déterminer, de la part de l'acheteur, l'annulation de la commande ni la prétention d'un dédommagement. 3) EXPEDITION: Les marchandises voyagent au risque et péril du commettant même si le prix est établi franco destination. Nous ne répondons pas des réclamations dues à faute de poids ni à avaries de voyage, étant responsable de cela uniquement et exclusivement le transporteur au quelle destinataire doit promptement dresser une réserve avant de retirer la marchandise et communiquer cela par écrit, pour information, même au cessionnaire. Après 8 jours à calculer à partir de la date de réception des marchandises, aucune pas au clients sinon après paiement intégral du prix, des intérêts et des frais dus. En cas de défaillance, la marchandise sera livrée de nouveau, sur demande précise du fabricant, aux dépôts indiqués par le fabricant franco de port. De toute façon le fabricant se réserve la faculté de débiter au client les frais supportés pour la régénération et la mise à neuf du matériel rendu. 6) PAIEMENTS: Les paiements doivent être effectués à l'échéance et selon les formes convenues dans notre siège. Les paiements faits à agents, représentants ou autres même si au moyen d'effets ne sont pas reconnus, sauf précise autorisation écrite de la part du fabricant. En cas de paiement échelonné, le non-paiement même d'un seul versement permet au fabricant d'exiger le solde immédiat du crédit restant augmenté des intérêts rapportés au taux moyen en vigueur dans cette période. 7) DEFENSE D'ACTION: Le client ne peut, pour aucune raison, différer ni suspendre les paiements dus à réclamation n'est acceptée. 4) PRIX: les prix s'entendent nets des charges fiscales et peuvent être variés sans que le fabricant soit obligée de donner un préavis. 5) RESERVE DE PROPRIETE: La propriété des biens livrés reste au fabricant et ne passe n'importe quel titre, même si des réclamations ou des contestations ont surgi. En outre, il ne peut ni tenter ni poursuivre aucune action en justice de n'importe quel genre, si, avant cela, il n'a pas pourvu au paiement dans les termes et les formes convenus. 8) CARACTERISTIQUES TECHNIQUES: Les données et les caractéristiques techniques citées dans toutes les publications officielles du fabricant se rapportent à des valeurs nominales indicatives. Sur demande et pour des nécessités spécifiques, le fabricant peut mettre à disposition des fiches techniques des produits détaillées par lesquelles on peut déduire aussi les critères de recevabilité technique interne des produits. Le fabricant se réserve le droit d'apporter n'importe quelle modification sans aucun préavis; par conséquent les poids, les mesures les performances et tout ce qui est indiqué ne sont pas contraignants mais simplement indicatifs.

Reliable Pumps For Project